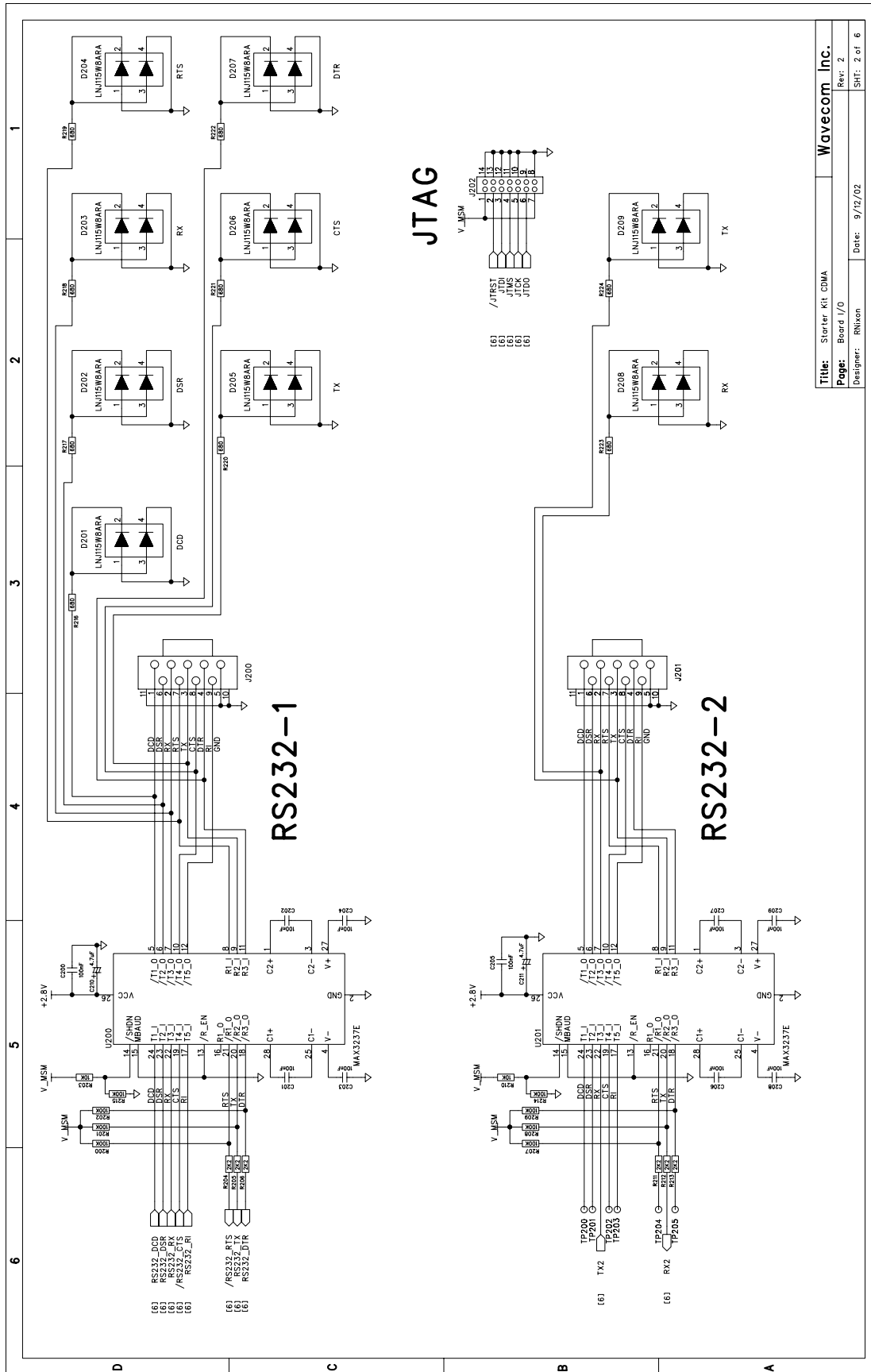
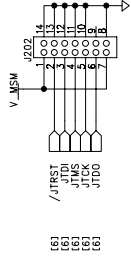


Title:	Starter Kit CDMA	Wavecom Inc.
Page:	Power	Rev: 2
Designer:	RNixon	Date: 9/12/02
		SHT: 1 of 6



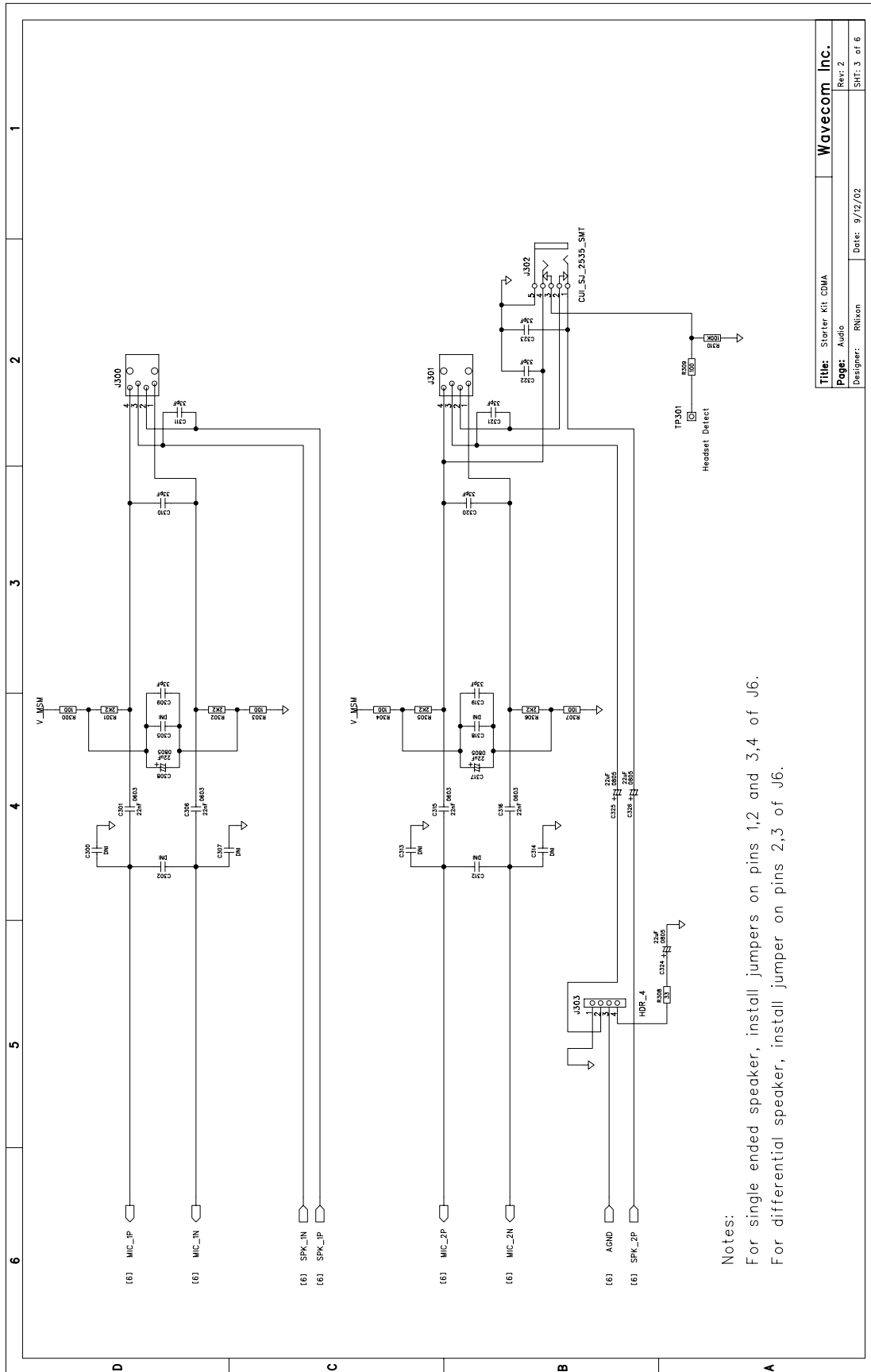
### JTAG



### RS232-1

### RS232-2

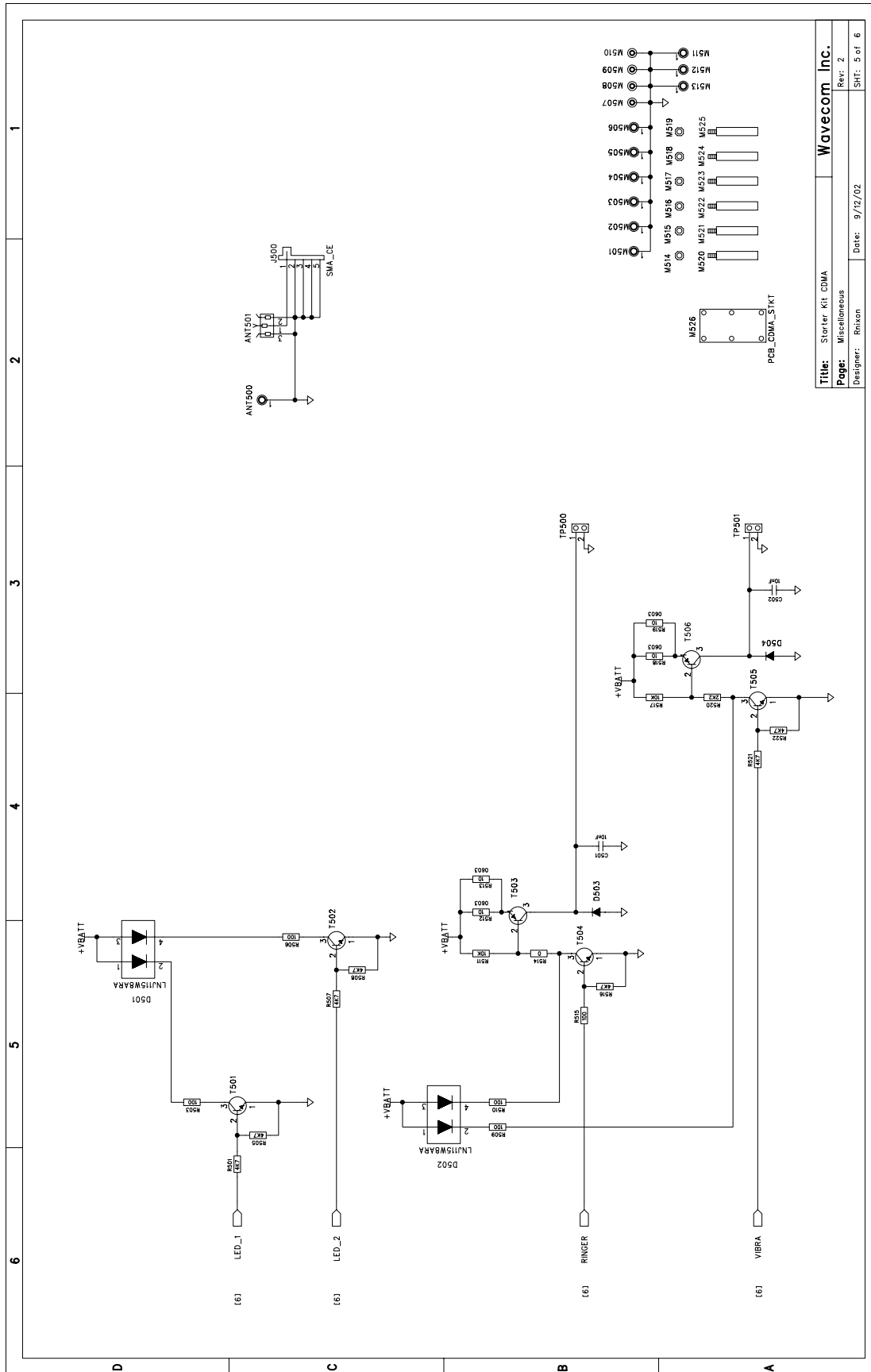
Title: Starter Kit CDMA	Wavecom Inc.
Page: Board I/O	Rev: 2
Designer: RNixon	Date: 9/12/02
SHT: 2 of 6	



Notes:  
 For single ended speaker, install jumpers on pins 1,2 and 3,4 of J6.  
 For differential speaker, install jumper on pins 2,3 of J6.

Title:	Starter Kit CDMA	Wavecom Inc.
Page:	Audio	Rev: 2
Designer:	RNixon	Date: 9/12/02
		SHT: 3 of 6





Title:	Starter Kit CDMA	Wavecom Inc.
Page:	Miscellaneous	Rev: 2
Designer:	Rnison	Date: 9/12/02
		SHT: 5 of 6

