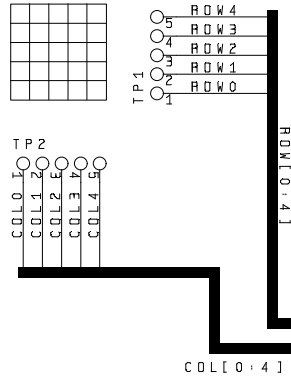
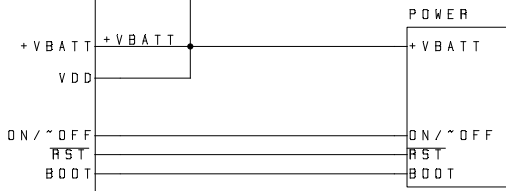
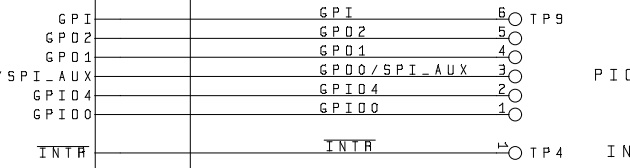
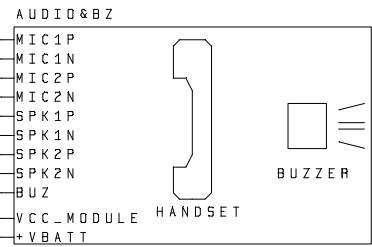
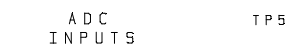
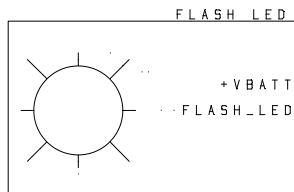
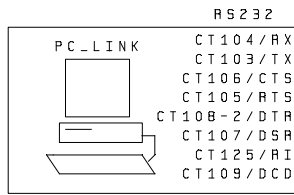
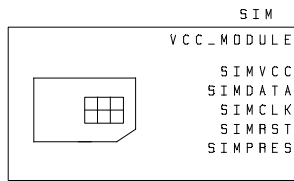
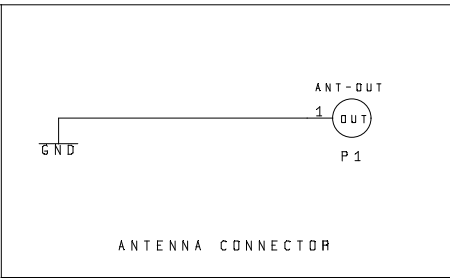
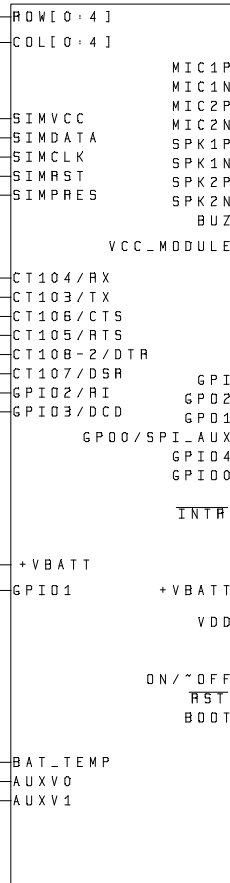



KEYBOARD



CONNECTOR

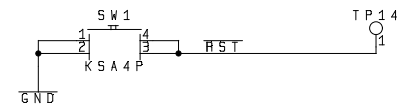
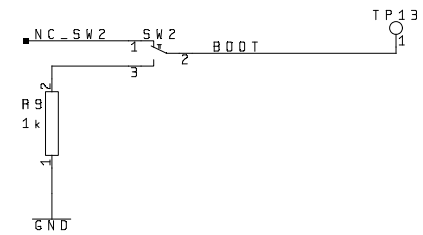
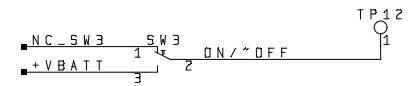
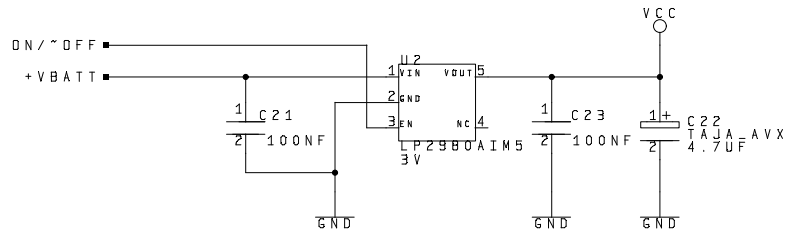
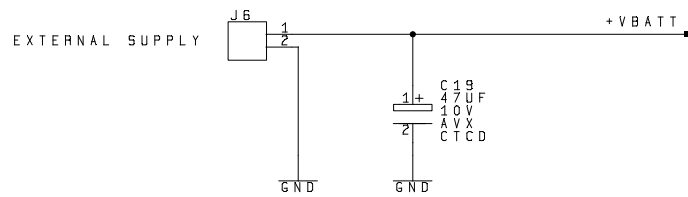




WAVECOM

The shock wave in the wireless world

PROJECT : STARTER KIT W2C	Sheet: 1/7
SCHEMATIC GENERAL HIERARCHY	
WAVECOM 39 Rue du Gouverneur Ebaue 92130 ISSY LES MOULINEAUX FRANCE	Date: 07/06/1999 Version: 1.0 Eng: JMB



TO START : SUPPLY ON "J6" 3.6V

SW3 IS TURNED ON "+VBATT" TO ENABLE WISMO'S
BASE BAND REGULATORS.

SW2 SELECTS DOWNLOAD (BOOT) "ON" OR "OFF".



The shock wave in the wireless world

PROJECT : STARTER KIT W2C Sheet: 6/7

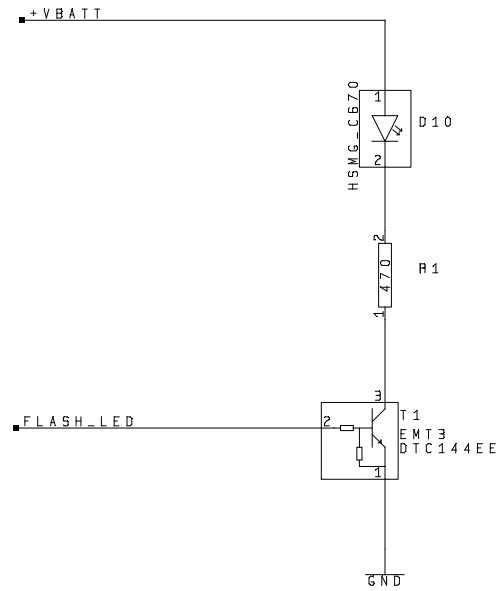
SCHEMATIC: POWER

WAVECOM
39 Rue du Gouverneur Ebaue
92130 ISSY LES MOULINEAUX
FRANCE

Date: 07/06/1999

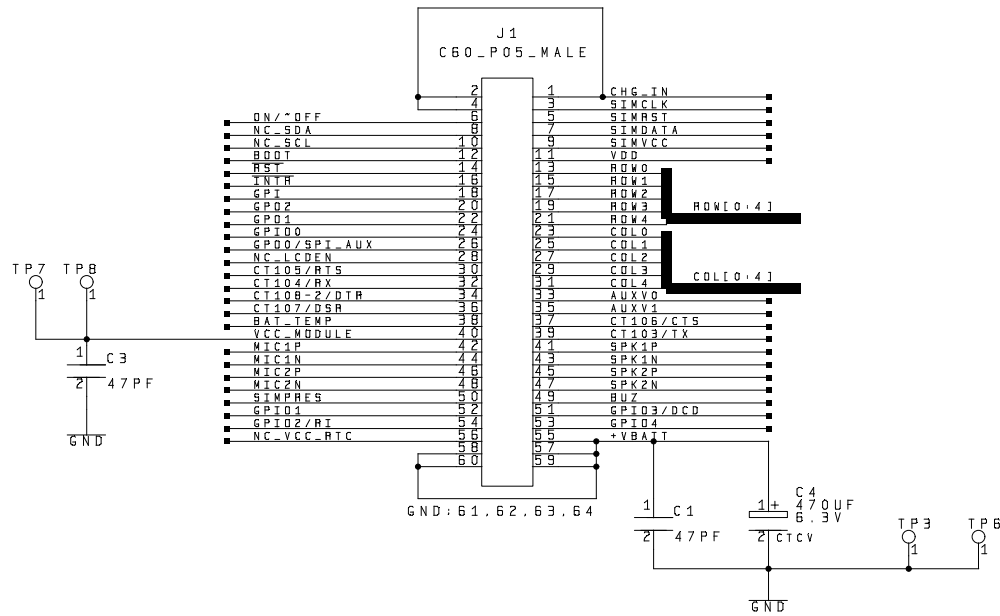
Version: 1.0


Eng: JMB



The shock wave in the wireless world

PROJECT : STARTER KIT W2C	Sheet: 7/7
SCHEMATIC: FLASH LED	
WAVECOM 39 Rue du Gouverneur Eboue 92130 ISSY LES MOULINEAUX FRANCE	Date: 07/06/1999 Version: 1.0 Eng: JMB

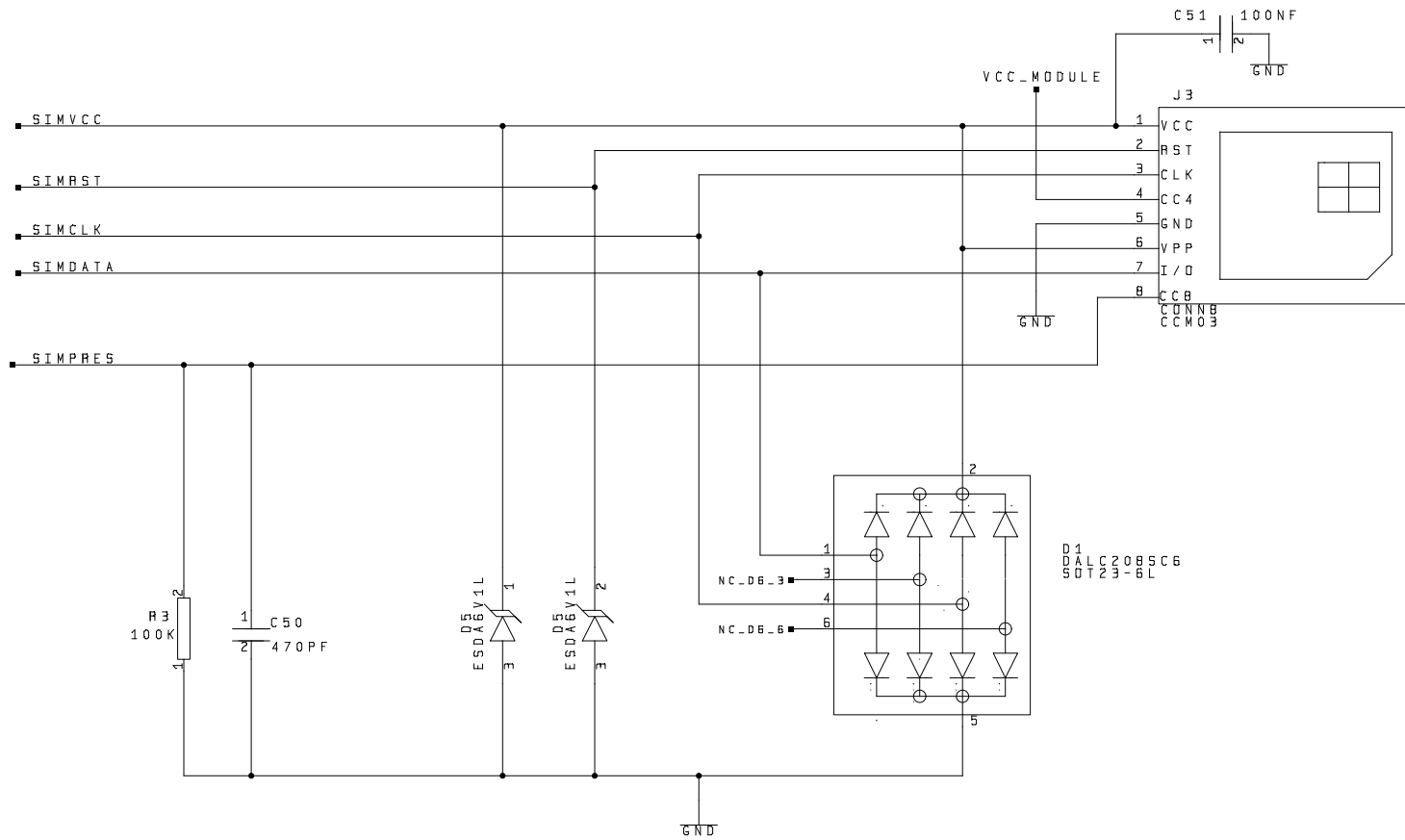





WAVECOM

The shock wave in the wireless world

PROJECT : START KIT W2C	Sheet: 2 / 7
SCHEMATIC: CONNECTOR	
WAVECOM 39 Rue du Gouverneur Ebaue 92130 ISSY LES MOULINEAUX FRANCE	Date: 07/06/1999 Version: 1.0 Eng: JMB

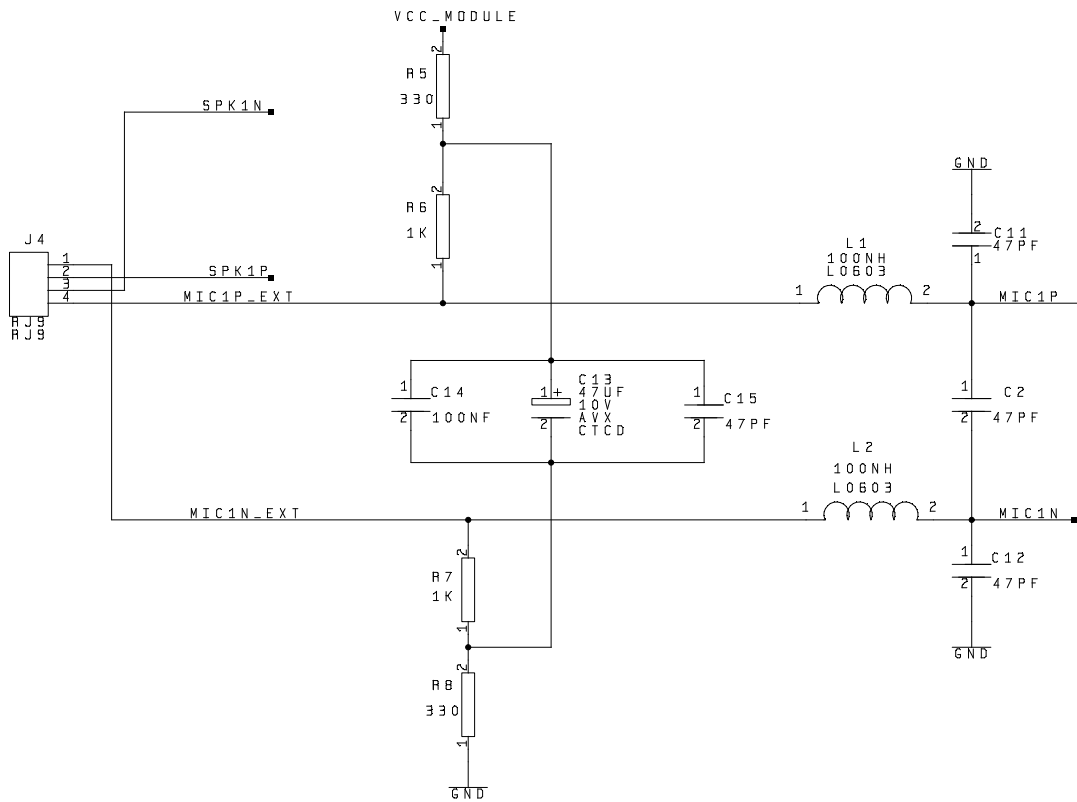




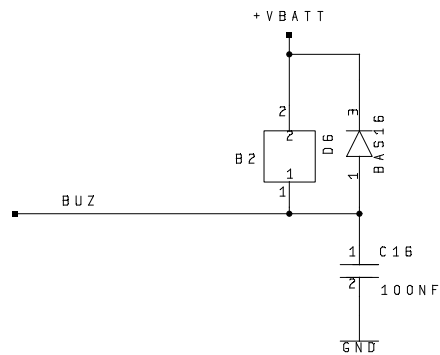
WAVECOM

The shock wave in the wireless world

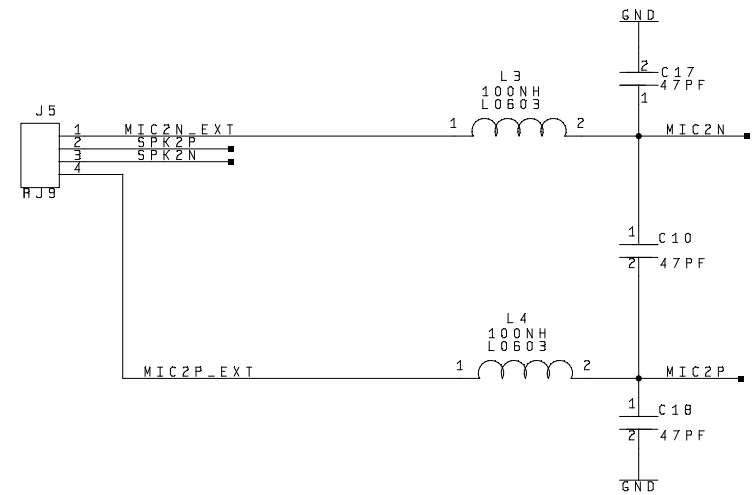
PROJECT : STARTER KIT W2C	Sheet: 4/7
SCHEMATIC·SIM	
WAVECOM 39 Rue du Gouverneur Eboou 92130 ISSY LES MOULINEAUX FRANCE	Date: 07/06/1999 Version: 1.0 Eng: JMB



HANDSET1 INTERFACE



BUZZER OUTPUT INTERFACE



HANDSET2 INTERFACE

NOTE : ON SOME STARTER KIT BOARDS,
L1, L2, L3, L4 ARE REPLACED
BY 0 OHM RESISTORS



The shock wave in the wireless world

PROJECT : STARTER KIT W2C	Sheet: 5/7
SCHEMATIC: AUDIO	
WAVECOM 39 Rue du Gouverneur Eboue 92130 ISSY LES MOULINEAUX FRANCE	Date: 07/06/1999 Version: 1.0 Eng: JMB



WM2C Starter Kit Part List

Updated 30/12/99

INDEX	Q	PART	TYPE	V M U	TOLERANCE	INFO	PACKAGE	PART NAME	SUPPLIER
SW3	1	SWITCH	INVERTER						SECME
SW2	1	SWITCH	INVERTER						SECME
U1	1	DRIVER	RS232	1 Mbps		5TX 3RX	SSOP28	MAX3237CAI	MAXIM
U2	1	VOLTAGE REGULATOR		3 V	±0,75%	100mA	SOT23-5	LP2981AIM5-3.0	NATIONAL SEMICONDUCTOR
D10	1	LED	GREEN				HSMX_670	HSMG_C670	HEWLETT PACKARD
T1	1	DIGITAL TRANSISTOR	NPN				EMT3	DTC144EETL	ROHM
D7	1	DIODE	ESD	14 V			SOT23-6L	ESDA14V2SC6	SGS THOMSON
D8	1	DIODE	ESD	14 V			SOT23-6L	ESDA14V2SC6	SGS THOMSON
D9	1	DIODE	ESD	14 V			SOT23-6L	ESDA14V2SC6	SGS THOMSON
D1	1	DIODE	ESD				SOT23-6L	DALC208SC6	SGS THOMSON
D5	1	DIODE	ESD				SOT23	ESDA6V1L	SGS THOMSON
D6	1	DIODE					SOT23	BAS16	PHILIPS
C3	1	CAPACITOR	C0G	47 p F	±5%	10V	C0603		
C1	1	CAPACITOR	C0G	47 p F	±5%	10V	C0603		
C10	1	CAPACITOR	C0G	47 p F	±5%	10V	C0603		
C11	1	CAPACITOR	C0G	47 p F	±5%	10V	C0603		
C12	1	CAPACITOR	C0G	47 p F	±5%	10V	C0603		
C15	1	CAPACITOR	C0G	47 p F	±5%	10V	C0603		
C17	1	CAPACITOR	C0G	47 p F	±5%	10V	C0603		
C18	1	CAPACITOR	C0G	47 p F	±5%	10V	C0603		
C2	1	CAPACITOR	C0G	47 p F	±5%	10V	C0603		
		CAPACITOR	C0G	47 p F	±5%	10V	C0603	06033A470JAT2A	AVX
		CAPACITOR	C0G	47 p F	±5%	50V	C0603	GRM39C0G470J50	MURATA
		CAPACITOR	C0G	47 p F	±5%	10V	C0603	ECUV1H470JCV	PANASONIC
		CAPACITOR	C0G	47 p F	±5%	50V	C0603	0603CG470J9	PHILIPS
		CAPACITOR	C0G	47 p F	±5%	10V	C0603	B37930-K5470-J	EPCOS
		CAPACITOR	C0G	47 p F	±5%	10V	C0603	MCH185A470J	ROHM
C50	1	CAPACITOR	C0G	470 p F	±5%	50V	C0603		
		CAPACITOR	C0G	470 p F	±5%	50V	C0603	GRM39C0G471J50	MURATA
		CAPACITOR	C0G	470 p F	±5%	50V	C0603	0603CG471J9	PHILIPS
		CAPACITOR	C0G	470 p F	±5%	50V	C0603	B37930-K5471-J	EPCOS
		CAPACITOR	C0G	470 p F	±5%	50V	C0603	MCH185A471J	ROHM
C14	1	CAPACITOR	Y5V	100 n F	+80/-20%	10V	C0603		
C16	1	CAPACITOR	Y5V	100 n F	+80/-20%	10V	C0603		
C21	1	CAPACITOR	Y5V	100 n F	+80/-20%	10V	C0603		
C23	1	CAPACITOR	Y5V	100 n F	+80/-20%	10V	C0603		

wm2cSTKpartlist.doc

No diffusion allowed without Wavecom permission



INDEX	Q	PART	TYPE	V	M U	TOLERANCE	INFO	PACKAGE	PART NAME	SUPPLIER
C51	1	CAPACITOR	Y5V	100	n F	+80/-20%	10V	C0603		
C9	1	CAPACITOR	Y5V	100	n F	+80/-20%	10V	C0603		
		CAPACITOR	Y5V	100	n F	+80/-20%	10V	C0603	06033G104ZAT2A	AVX
		CAPACITOR	Y5V	100	n F	+80/-20%	25V	C0603	GRM39Y5V104Z25PT	MURATA
		CAPACITOR	Y5V	100	n F	+80/-20%	10V	C0603	06032F104Z8	PHILIPS
		CAPACITOR	Y5V	100	n F	+80/-20%	10V	C0603	C1608Y5V1E104Z	TDK
		CAPACITOR	Y5V	100	n F	+80/-20%	10V	C0603	MCH182F104Z	ROHM
C8	1	CAPACITOR	Y5V	1	μ F	+80/-20%	16V	C0805		
C7	1	CAPACITOR	Y5V	1	μ F	+80/-20%	16V	C0805		
C6	1	CAPACITOR	Y5V	1	μ F	+80/-20%	16V	C0805		
C5	1	CAPACITOR	Y5V	1	μ F	+80/-20%	16V	C0805		
		CAPACITOR	Y5V	1	μ F	+80/-20%	16V	C0805	C2012Y5V1C105Z	TDK
		CAPACITOR	Y5V	1	μ F	+80/-20%	16V	C0805	CM21Y5V105Z16	KYOCERA
		CAPACITOR	Y5V	1	μ F	+80/-20%	16V	C0805	GRM40Y5V105Z16	MURATA
C22	1	CAPACITOR	TANTALUM	4,7	μ F	±20%	10V	A case	TAJA475M010R	AVX
C4	1	CAPACITOR	TANTALUM	470	μ F	±20%	6V	7343H		
		CAPACITOR	TANTALUM	470	μ F	±20%	10V	7343H	TPSE477M010R0050	AVX
		CAPACITOR	TANTALUM	470	μ F	±20%	6V	7343H	T495X477M006AS	KEMET
C13	1	CAPACITOR	TANTALUM	47	μ F	±10%	6,3V	D case	TAJD476K006R	AVX
C19	1	CAPACITOR	TANTALUM	47	μ F	±10%	6,3V	D case	TAJD476K006R	AVX
R5	1	RESISTOR		330	O	±5%	1/10W	R0603		
R8	1	RESISTOR		330	O	±5%	1/10W	R0603		
		RESISTOR		330	O	±5%	1/10W	R0603	CR10-331J-	KYOCERA
		RESISTOR		330	O	±5%	1/16W	R0603	2322 702 60331	PHILIPS
		RESISTOR		330	O	±5%	1/10W	R0603	MCR03EZHJ331	ROHM
R1	1	RESISTOR		470	O	±5%	1/10W	R0603		
		RESISTOR		470	O	±5%	1/10W	R0603	CR10-471J-	KYOCERA
		RESISTOR		470	O	±5%	1/16W	R0603	ERJ3GSYJ471V	PANASONIC
		RESISTOR		470	O	±5%	1/16W	R0603	2322 702 60471	PHILIPS
		RESISTOR		470	O	±5%	1/10W	R0603	MCR03EZHJ471	ROHM
R9	1	RESISTOR		1	K O	±5%	1/16W	R0603		
R6	1	RESISTOR		1	K O	±5%	1/16W	R0603		
R7	1	RESISTOR		1	K O	±5%	1/16W	R0603		
		RESISTOR		1	K O	±5%	1/10W	R0603	CR10-102J	KYOCERA
		RESISTOR		1	K O	±5%	1/16W	R0603	ERJ3GSYJ102V	PANASONIC
		RESISTOR		1	K O	±5%	1/16W	R0603	2322 702 60102	PHILIPS
		RESISTOR		1	K O	±5%	1/10W	R0603	MCR03EZHJ102	ROHM
R16	1	RESISTOR		2,2	K O	±5%	1/10W	R0603		
R17	1	RESISTOR		2,2	K O	±5%	1/10W	R0603		
R15	1	RESISTOR		2,2	K O	±5%	1/10W	R0603		
		RESISTOR		2,2	K O	±5%	1/10W	R0603	CR10-222J	KYOCERA
		RESISTOR		2,2	K O	±5%	1/16W	R0603	ERJ3GSYJ222V	PANASONIC
		RESISTOR		2,2	K O	±5%	1/16W	R0603	2322 702 60222	PHILIPS



WAVECOM

INDEX	Q	PART	TYPE	V	M U	TOLERANCE	INFO	PACKAGE	PART NAME	SUPPLIER
		RESISTOR		2,2	K O	±5%	1/10W	R0603	MCR03EZHZ222	ROHM
R12	1	RESISTOR		100	K O	±5%	1/10W	R0603		
R10	1	RESISTOR		100	K O	±5%	1/10W	R0603		
R3	1	RESISTOR		100	K O	±5%	1/10W	R0603		
R11	1	RESISTOR		100	K O	±5%	1/10W	R0603		
		RESISTOR		100	K O	±5%	1/10W	R0603	CR10-104J	KYOCERA
		RESISTOR		100	K O	±5%	1/16W	R0603	ERJ3GSYJ104V	PANASONIC
		RESISTOR		100	K O	±5%	1/16W	R0603	2322 702 60104	PHILIPS
		RESISTOR		100	K O	±5%	1/16W	R0603	MRC03EZHZ104	ROHM
L2	1	INDUCTOR		100	n H	±5%		L0603	LQG11AR10J00	MURATA
L3	1	INDUCTOR		100	n H	±5%		L0603	LQG11AR10J00	MURATA
L4	1	INDUCTOR		100	n H	±5%		L0603	LQG11AR10J00	MURATA
L1	1	INDUCTOR		100	n H	±5%		L0603	LQG11AR10J00	MURATA
J1	1	CONNECTOR	SMD	60	pin				24 5087 0609 00 861	ELCO
B2	1	CONNECTOR		2	pin		pitch: 2.54mm		6170361D1301	FCI
J2	1	CONNECTOR	SUBD	9	pin			SUBD9F	096615276119	HARTING
J3	1	CONNECTOR	SIM	8	pin			CCM03	CCM03-0NO	ITT CANNON
J5	1	CONNECTOR	RJ9					RJ9	520249-2 4/4	AMP
J4	1	CONNECTOR	RJ9					RJ9	520249-2 4/4	AMP
J6	1	SUPPLY CONNECTOR	MALE				Bent base 2points 5,08	WLD2M		WIELAND
SW1	1	SWITCH	PUSH BUTTON					KSA	KSA0M210	ITT CANNON
M1	1	PCB	WM2C SK						WM9826-008-10	

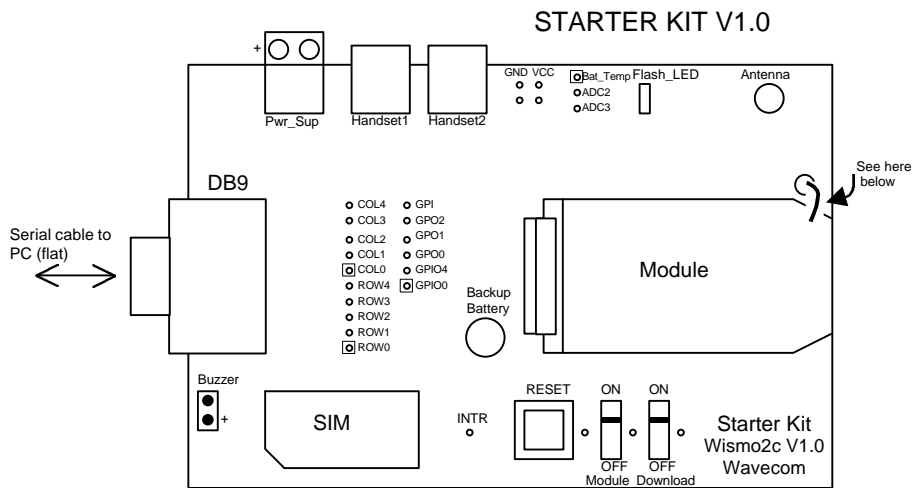
Description of the WM2C evaluation-board:

Switch Download:

- ON = Download mode (to download new software)
- OFF = Standard mode

Switch Module:

- ON = Module ON
- OFF = Module OFF



TO SOLDER AN ANTENNA CABLE ON THE WM2C

