

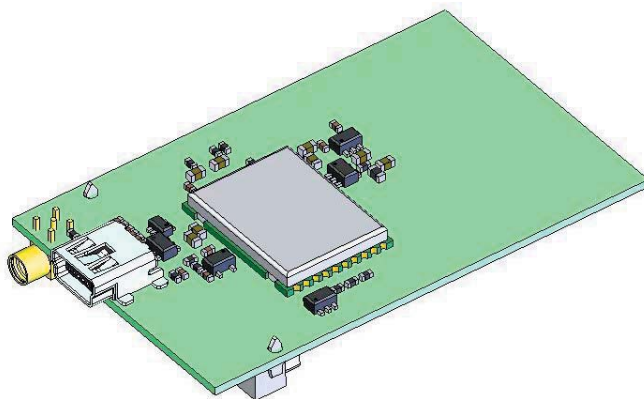
FASTRACK SUPREME IESM-GPS+USB

Installation Guide

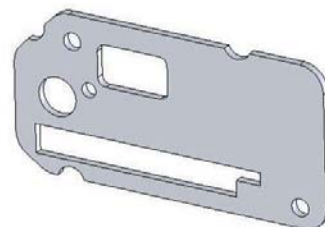
Reference: WA_DEV_Fastrk_UGD_003

Revision: 001

Date: 06 June 2007



IESM – GPS+USB board



New IESM-GPS+USB Back plate

Document History

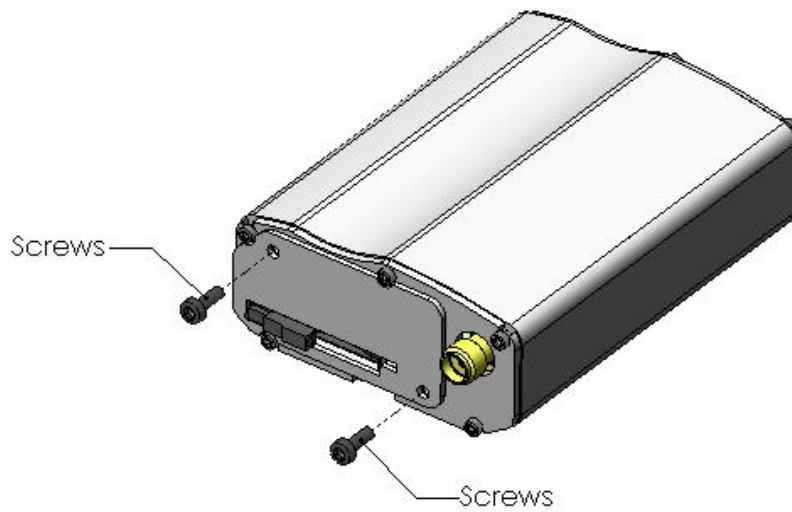
Revision	Date	List of revisions	
001	06 June, 07	First Issue	

1 Installation Instructions

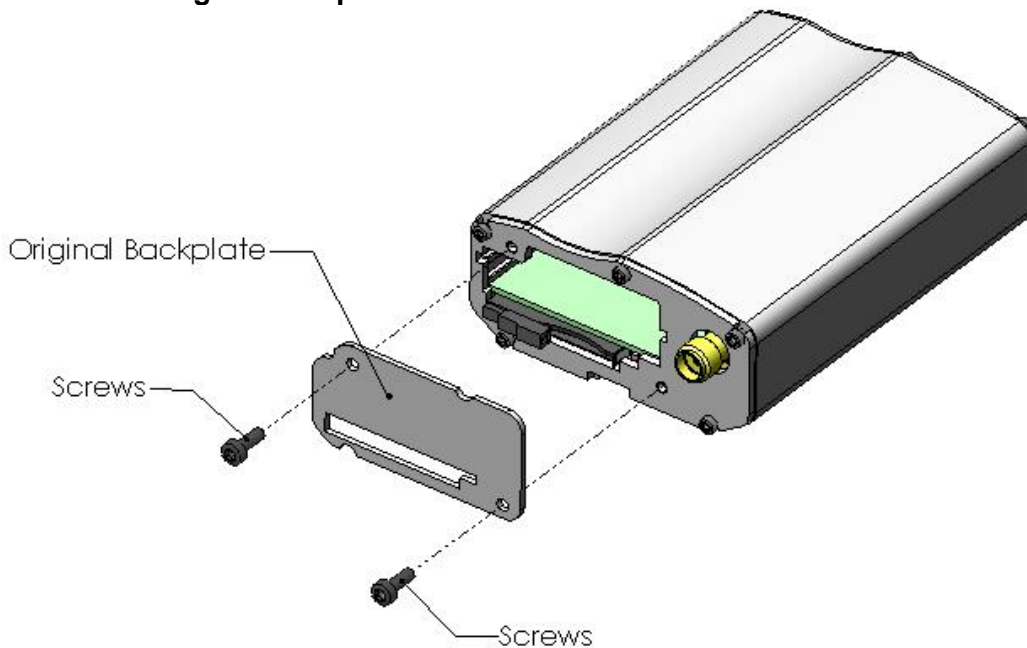
IMPORTANT NOTICE

Remove power from the Fastrack Supreme before installing this accessory. Failure to do so may result to injury or damage to the product.

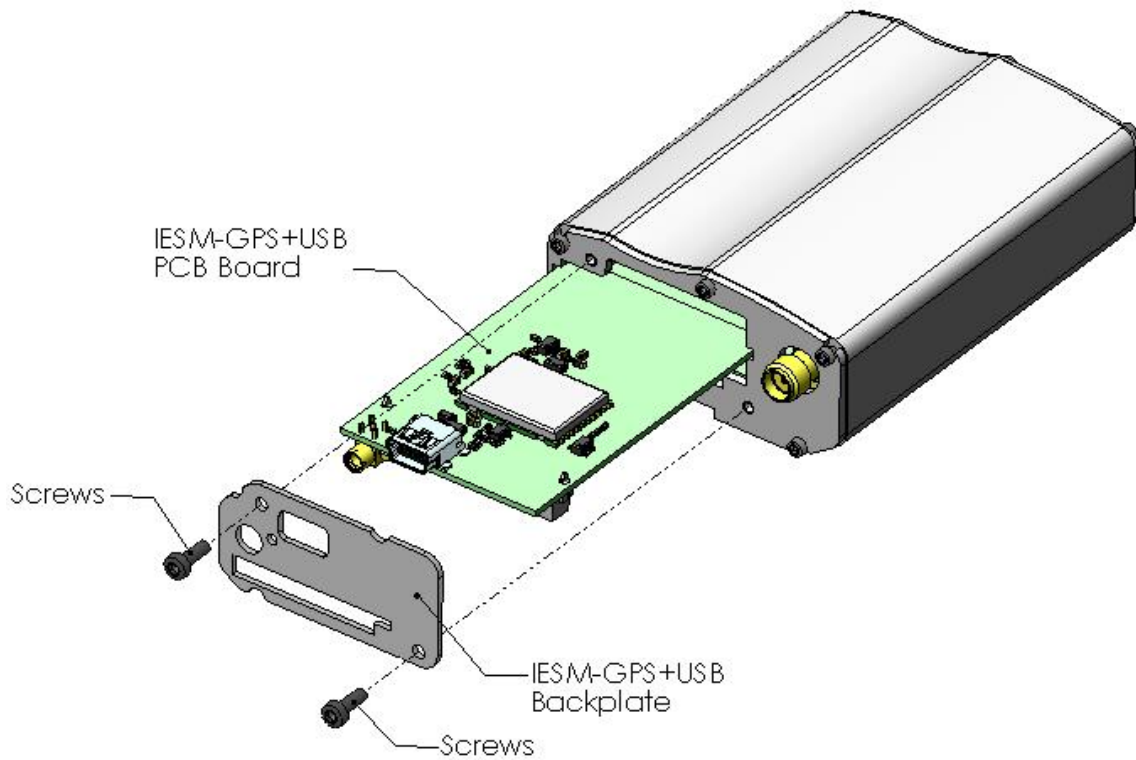
Step 1: Remove the two screws of the backplate



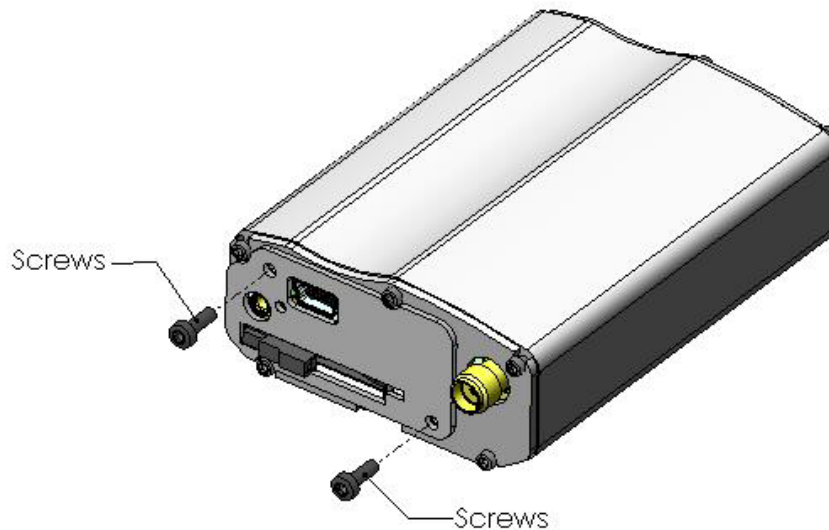
Step 2: Remove the original backplate



Step 3: Align the IESM-GPS+USB board on the guide rail inside the Fastrack Supreme. Slide the board until the 50 pin connector mated.



Step 4: Place the new IESM-GPS+USB backplate provided and place back the two screws.



2 Technical Features

Supply Voltages : 4VDC
PCB Dimensions : 57mm x 35.7mm x 1mm
Overall Dimensions : 59.5 x 35.7 x 10.01mm (including connectors)
Weight : < 10g
Temperature Range
Storage : -40°C to +85°C
Operating : -20°C to +55°C

Connector Ports
MMCX Connector : for GPS antenna (4VDC available)
USB Port : USB 2.0 compliant