



GIVE WINGS TO
YOUR IDEAS



AT Commands Interface Guide

Revision: **008**
Date: **February 2003**

wavecom[®]

PLUG IN TO THE WIRELESS WORLD

AT Commands Interface Guide

atVersion : **008**
Date : **February, 14th 2003**
Reference : **WM_SW_OAT_IFS_001**

IMPORTANT NOTE :

This is a preliminary version of the document.
It applies to versions 4.40, 5.40 and 6.40 of the AT software.

| Level | Date | History of the evolution | |
|---------|--|--|--|
| 001/9.1 | 01/11/01 | Full revision | |
| 002 | 27/02/02 19/12/01 28/01/02 29/01/02 18/02/02 22/02/02 | +VGR correction Add <ring tone level> parameter to +WSST Format modification Update +Wopen to erase the objects flash of Open-AT embedded application New commands : +WBM (Serial bus management) +WBR (Serial bus read) +WBW (Serial bus write) Modifications on Gpio and Bus commands +CMER always allowed Addendum about Test SIM card (with MCC=001 & MNC=01) for +CLCK & +WLCK commands. Max read/write length is 256 bytes for +WBW & +WBR commands. | |
| 003 | 27/02/02 02/04/02 | New commands: +WATH(hang-up [récising release cause]) +WLOC (location) add wind level: level 11 for checksum of phonebooks level 12 for interrupt new fetures: "loca" and "interrupt" +ATO correction | |
| 004 | 05/04/02 | +WBW / +WBR parameters modification | |
| 005 | 03/05/02 25/06/02 26/06/02 28/06/02 01/07/02 25/07/02 06/08/02 | GPRS commands New commands : Write IMEI +WIMEI +CPLS (Selection of preferred PLMN list) Update : +CPOL +CMER +CPLW +CGSN +WFM Update description of power down mode, +WCDP, +CRMP, and description of autobauding feature Update +ECHO command +VGT correction Add CME ERROR: 27, +ICF correction, +VIP correction, +SPEAKER correction Update +CCFC command Change value for class parameter Update +VGT command | |
| 006 | 19/08/02 28/08/02 28/08/02 29/08/02 | Correct DOPT description Add details for AT&F Correct AT%C default value in table 19.10 Update Table 19.10 for +CPHS command. ,0 instead 0 in Default Values Add many 'OK' that were forgotten in AT responses Correct AT+DR=? response Add optional lac parameter for AT+WOPN | |
| 007 | 13/09/02 24/09/02 24/09/02 25/09/02 03/10/02 | Add some descriptions about VTD command Suppress a note in VTS command Add definied value <status> for CCFC, CCWA Add description for AT+SIDET=? / <val2> optional. Correction for AT+CSQ Correction for AT+WDTMF Add +WBCI to unsolicited results list Add +CIEV to unsolicited results list Add AT+CMEC, AT+CIND, AT+COPN, AT+WMBS, and AT+WSVN commands Update AT+CMER command Add CPHS command: +WALS, +WNON, +WDCI, +WCPI, +WCSP and update +CPHS, +WVMI and +WMBN, and add +WDCI to unsolicited results list | |

| | | | |
|-----|----------|---|--|
| | 08/10/02 | Add <type> description for +CCFC | |
| | 09/10/12 | Update +WOPEN, Update +WFM | |
| | 11/10/02 | Update +CGEREP | |
| | 15/10/02 | Update AT\N command | |
| | 15/10/02 | Update +CGATT | |
| | 15/10/02 | Update AT+CMER | |
| | 15/10/02 | Update +CGDCONT,+CGSMS,+CGANS,+CGPADDR : Tracker | |
| 008 | 18/10/02 | Modify +WMBS | |
| | 23/10/02 | Appendix 19.10 Add GPRS parameters | |
| | 23/10/02 | Add details on +W32K | |
| | 24/10/02 | Update AT+WBM, AT+WBR, AT+WBW | |
| | 04/11/02 | Update AT+WCFM command | |
| | 13/11/02 | Correct ILRR command | |
| | 14/11/02 | Correct pagination GPRS part | |
| | 14/11/02 | Correct AT+CR and AT+CRC | |
| | 15/11/02 | Correct GSM sequences in §19.11.5 (CLIR) Correct a default value in AT+DS Correct <Class> dscription in AT+CCWA | |
| | 26/11/02 | Gpio configurations update | |
| | 28/11/02 | Maj AT Documentation chapitre 19.10 for +CGSMS,+CGCLASS et +WGPRS | |
| | 04/12/02 | Ajout Remarque pour +WGPRS en mode CG | |
| | 04/12/02 | Correction dans le tableau des valeurs par default v24 et du nom de l'operateur NE LIBERTEL en Vodafone | |
| | 04/12/02 | Modif ex of AT+CGACT | |
| | 11/12/02 | +WBM, +WBW, +WBR update | |
| | 16/12/02 | +WRST : update value of range | |
| | 19/12/02 | Correction for +WALS command : modification for +WALS=? response | |
| | 19/12/02 | +CGREG : update set mode | |
| | 24/12/02 | Update AT&F 19.10 table for AT+CMER command Update AT+ECHO command | |
| | 07/01/03 | More details on parallel bus parameters | |
| | 10/01/03 | Update AT+WALS example Update AT+WCSF example Update AT+WMBS command : add MONO1800 activation Band Update AT+WFM : indicate that the band can't be modified with this command | |
| | 28/01/03 | Various remarks, creation of alphabetical index for commands and responses | |

Contents

| | | |
|----------|--|-----------|
| 1 | Introduction | 14 |
| 1.1 | Scope of this document..... | 14 |
| 1.2 | Related documents..... | 14 |
| 1.3 | ETSI secretariat | 15 |
| 1.4 | Definitions | 15 |
| 1.5 | Presentation rules | 15 |
| 2 | AT commands features..... | 16 |
| 2.1 | Wavecom line settings | 16 |
| 2.2 | Command line | 16 |
| 2.3 | Information responses and result codes | 16 |
| 3 | General behaviors | 17 |
| 3.1 | SIM Insertion, SIM Removal | 17 |
| 3.2 | Background initialization | 17 |
| 4 | General commands | 18 |
| 4.1 | Manufacturer identification +CGMI | 18 |
| 4.2 | Request model identification +CGMM..... | 18 |
| 4.3 | Request revision identification +CGMR | 19 |
| 4.4 | Product Serial Number +CGSN..... | 20 |
| 4.5 | Select TE character set +CSCS | 20 |
| 4.6 | Wavecom Phonebook Character Set +WPCS..... | 21 |
| 4.7 | Request IMSI +CIMI | 21 |
| 4.8 | Card Identification +CCID | 22 |
| 4.9 | Capabilities list +GCAP..... | 22 |
| 4.10 | Repeat last command A/..... | 23 |
| 4.11 | Power off +CPOF..... | 23 |
| 4.12 | Set phone functionality +CFUN | 24 |
| 4.13 | Phone activity status +CPAS | 25 |
| 4.14 | Report Mobile Equipment errors +CMEE | 25 |

| | | |
|----------|--|-----------|
| 4.15 | 1 : Enable «+CME ERROR: <xxx>» or «+CMS ERROR: <xxx>»Keypad control +CKPD..... | 26 |
| 4.16 | Clock Management +CCLK..... | 27 |
| 4.17 | Alarm Management +CALA..... | 27 |
| 4.18 | Ring Melody Playback +CRMP | 29 |
| 4.19 | Ringer Sound Level +CRSL..... | 30 |
| 5 | Call Control commands | 31 |
| 5.1 | Dial command D..... | 31 |
| 5.2 | Hang-Up command H..... | 33 |
| 5.3 | Answer a call A..... | 34 |
| 5.4 | Remote disconnection | 34 |
| 5.5 | Extended error report +CEER..... | 34 |
| 5.6 | DTMF signals +VTD, +VTS | 35 |
| 5.7 | Redial last telephone number ATDL..... | 36 |
| 5.8 | Automatic dialing with DTR AT%Dn | 37 |
| 5.9 | Automatic answer ATSO | 38 |
| 5.10 | Incoming Call Bearer +CICB | 38 |
| 5.11 | Single Numbering Scheme +CSNS | 39 |
| 5.12 | Gain control +VGR, +VGT..... | 40 |
| 5.13 | Microphone Mute Control +CMUT | 43 |
| 5.14 | Speaker & Microphone selection +SPEAKER | 43 |
| 5.15 | Echo Cancellation +ECHO..... | 44 |
| 5.16 | SideTone modification +SIDET | 47 |
| 5.17 | Initialize Voice Parameters +VIP..... | 47 |
| 6 | Network service commands | 49 |
| 6.1 | Signal Quality +CSQ..... | 49 |
| 6.2 | Operator selection +COPS | 49 |
| 6.3 | Network registration +CREG | 52 |
| 6.4 | Read operator name +WOPN | 53 |
| 6.5 | Selection of Preferred PLMN list +CPLS..... | 54 |
| 6.6 | Preferred operator list +CPOL | 55 |
| 6.7 | Read operator name +COPN | 57 |
| 7 | Security commands | 58 |
| 7.1 | Enter PIN +CPIN | 58 |

| | | |
|----------|--|-----------|
| 7.2 | Enter PIN2 +CPIN2..... | 60 |
| 7.3 | PIN remaining attempt number +CPINC..... | 61 |
| 7.4 | Facility lock +CLCK..... | 62 |
| 7.5 | Change password +CPWD..... | 64 |
| 8 | Phonebook commands | 66 |
| 8.1 | Select phonebook memory storage +CPBS..... | 66 |
| 8.2 | Read phonebook entries +CPBR..... | 67 |
| 8.3 | Find phonebook entries +CPBF | 67 |
| 8.4 | Write phonebook entry +CPBW..... | 68 |
| 8.5 | Phonebook phone search +CPBP | 70 |
| 8.6 | Move action in phonebook +CPBN..... | 71 |
| 8.7 | Subscriber number +CNUM | 74 |
| 8.8 | Avoid phonebook init +WAIP..... | 74 |
| 8.9 | Delete Calls Phonebook +WDCP..... | 75 |
| 8.10 | Set Voice Mail Number +CSVM..... | 76 |
| 9 | Short Messages commands..... | 77 |
| 9.1 | Parameters definition | 77 |
| 9.2 | Select message service +CSMS | 78 |
| 9.3 | New Message Acknowledgement +CNMA..... | 78 |
| 9.4 | Preferred Message Storage +CPMS | 80 |
| 9.5 | Preferred Message Format +CMGF | 81 |
| 9.6 | Save Settings +CSAS | 82 |
| 9.7 | Restore settings +CRES..... | 82 |
| 9.8 | Show text mode parameters +CSDH..... | 83 |
| 9.9 | New message indication +CNMI | 83 |
| 9.10 | Read message +CMGR..... | 85 |
| 9.11 | List message +CMGL | 87 |
| 9.12 | Send message +CMGS..... | 89 |
| 9.13 | Write Message to Memory +CMGW..... | 90 |
| 9.14 | Send Message From Storage +CMSS..... | 91 |
| 9.15 | Set Text Mode Parameters +CSMP | 91 |
| 9.16 | Delete message +CMGD | 93 |
| 9.17 | Service center address +CSCA | 94 |
| 9.18 | Select Cell Broadcast Message Types +CSCB..... | 95 |

| | | |
|-----------|---|------------|
| 9.19 | Cell Broadcast Message Identifiers +WCBM..... | 96 |
| 9.20 | Message status modification +WMSC..... | 96 |
| 9.21 | Message overwriting +WMGO..... | 97 |
| 9.22 | Unchange SMS Status +WUSS..... | 98 |
| 10 | Supplementary Services commands | 100 |
| 10.1 | Call forwarding +CCFC..... | 100 |
| 10.2 | Call barring +CLCK..... | 101 |
| 10.3 | Modify SS password +CPWD..... | 102 |
| 10.4 | Call waiting +CCWA..... | 103 |
| 10.5 | Calling line identification restriction +CLIR..... | 104 |
| 10.6 | Calling line identification presentation +CLIP..... | 105 |
| 10.7 | Connected line identification presentation +COLP..... | 106 |
| 10.8 | Advice of charge +CAOC..... | 107 |
| 10.9 | Accumulated call meter +CACM..... | 108 |
| 10.10 | Accumulated call meter maximum +CAMM..... | 108 |
| 10.11 | Price per unit and currency table +CPUC..... | 109 |
| 10.12 | Call related supplementary services +CHLD..... | 110 |
| 10.13 | List current calls +CLCC..... | 111 |
| 10.14 | Supplementary service notifications +CSSN..... | 112 |
| 10.15 | Unstructured supplementary service data +CUSD..... | 114 |
| 10.16 | Closed user group +CCUG..... | 115 |
| 11 | Data commands | 116 |
| 11.1 | Using AT Commands during a data connection..... | 116 |
| 11.2 | Bearer type selection +CBST..... | 116 |
| 11.3 | Select mode +FCLASS..... | 118 |
| 11.4 | Service reporting control +CR..... | 118 |
| 11.5 | Cellular result codes +CRC..... | 119 |
| 11.6 | DTE-DCE local rate reporting +ILRR..... | 120 |
| 11.7 | Radio link protocol parameters +CRLP..... | 120 |
| 11.8 | Others radio link parameters +DOPT..... | 122 |
| 11.9 | Select data compression %C..... | 122 |
| 11.10 | V42 bis data compression +DS..... | 123 |
| 11.11 | V42 bis data compression report +DR..... | 124 |
| 11.12 | Select data error correcting mode \N..... | 125 |

| | | |
|-----------|--|------------|
| 12 | Fax commands | 126 |
| 12.1 | Transmit speed +FTM..... | 126 |
| 12.2 | Receive speed +FRM..... | 126 |
| 12.3 | HDLC transmit speed +FTH..... | 127 |
| 12.4 | HDLC receive speed +FRH..... | 127 |
| 12.5 | Stop transmission and wait +FTS | 128 |
| 12.6 | Receive silence +FRS..... | 128 |
| 12.7 | Setting up the PC fax application:..... | 129 |
| 13 | Fax class 2 commands..... | 130 |
| 13.1 | Transmit Data +FDT..... | 130 |
| 13.2 | Receive Data +FDR..... | 130 |
| 13.3 | Transmit page punctuation +FET | 130 |
| 13.4 | Page transfer status parameters +FPTS | 131 |
| 13.5 | Terminate Session +FK..... | 131 |
| 13.6 | Page transfer bit order +FBOR..... | 132 |
| 13.7 | Buffer size report +FBUF | 132 |
| 13.8 | Copy quality checking +FCQ..... | 133 |
| 13.9 | Capability to receive +FCR..... | 133 |
| 13.10 | Current sessions parameters +FDIS | 133 |
| 13.11 | DCE capabilities parameters +FDCC | 135 |
| 13.12 | Local ID string +FLID..... | 136 |
| 13.13 | Page transfer timeout parameter +FPHCTO..... | 136 |
| 13.14 | Fax Class 2 indication messages | 137 |
| 14 | V24-V25 commands | 138 |
| 14.1 | Fixed DTE rate +IPR | 138 |
| 14.2 | DTE-DCE character framing +ICF | 139 |
| 14.3 | DTE-DCE local flow control +IFC | 140 |
| 14.4 | Set DCD signal &C | 141 |
| 14.5 | Set DTR signal &D..... | 141 |
| 14.6 | Set DSR signal &S..... | 142 |
| 14.7 | Back to online mode O..... | 143 |
| 14.8 | Result code suppression Q..... | 143 |
| 14.9 | DCE response format V..... | 144 |
| 14.10 | Default configuration Z..... | 144 |

| | |
|---|------------|
| 14.11 Save configuration &W..... | 145 |
| 14.12 Auto-tests &T..... | 145 |
| 14.13 Echo E..... | 146 |
| 14.14 Restore factory settings &F..... | 146 |
| 14.15 Display configuration &V..... | 147 |
| 14.16 Request identification information I..... | 147 |
| 14.17 Data / Commands Multiplexing +WMUX..... | 148 |
| 15 Specific AT commands..... | 150 |
| 15.1 Cell environment description +CCED..... | 150 |
| 15.2 Automatic RxLev indication +CCED..... | 151 |
| 15.3 General Indications +WIND..... | 152 |
| 15.4 Analog digital converters measurements +ADC..... | 154 |
| 15.5 Mobile Equipment event reporting +CMER..... | 155 |
| 15.6 Indicator control +CIND..... | 157 |
| 15.7 Mobile equipment control mode +CMEC..... | 158 |
| 15.8 Read Language Preference +WLPR..... | 159 |
| 15.9 Write Language Preference +WLPW..... | 160 |
| 15.10 Read GPIO value +WIOR..... | 160 |
| 15.11 Write GPIO value +WIOW..... | 161 |
| 15.12 Input/Output Management +WIOM..... | 161 |
| 15.13 Abort command +WAC..... | 163 |
| 15.14 Play tone +WTONE..... | 164 |
| 15.15 Play DTMF tone +WDTMF..... | 165 |
| 15.16 Wavecom Downloading +WDWL..... | 166 |
| 15.17 Wavecom Voice Rate +WVR..... | 167 |
| 15.18 Data Rate +WDR..... | 168 |
| 15.19 Hardware Version +WHWV..... | 169 |
| 15.20 Date of Production +WDOP..... | 169 |
| 15.21 Wavecom Select Voice Gain +WSVG..... | 170 |
| 15.22 Wavecom Status Request +WSTR..... | 170 |
| 15.23 Wavecom Scan +WSCAN..... | 171 |
| 15.24 Wavecom Ring Indicator Mode +WRIM..... | 172 |
| 15.25 Wavecom 32kHz Power down Mode +W32K..... | 173 |
| 15.26 Wavecom Change Default Melody +WCDM..... | 173 |
| 15.27 Wavecom Software version +WSSW..... | 174 |

| | |
|---|------------|
| 15.28 Wavecom Custom Character Set +WCCS..... | 175 |
| 15.29 Wavecom LoCK +WLCK | 176 |
| 15.30 CPHS command: +CPHS | 178 |
| 15.31 Unsolicited result : Wavecom Voice Mail Indicator : +WVMI | 180 |
| 15.32 Unsolicited result : Wavecom diverted call indicator: +WDCI..... | 181 |
| 15.33 Wavecom network operator name: +WNON..... | 182 |
| 15.34 Wavecom CPHS information: +WCPI..... | 183 |
| 15.35 Wavecom customer service profile: +WCSP | 184 |
| 15.36 Wavecom Battery Charge Management +WBCM..... | 185 |
| 15.37 Unsolicited result : Wavecom Battery Charge Indication +WBCI..... | 188 |
| 15.38 Features Management +WFM..... | 188 |
| 15.39 Commercial Features Management +WCFM | 191 |
| 15.40 Wavecom Customer storage mirror +WMIR | 192 |
| 15.41 Wavecom Change Default Player +WCDP | 192 |
| 15.42 Wavecom CPHS Mail Box Number: +WMBN | 193 |
| 15.43 Wavecom Alternate Line Service: +WALS..... | 194 |
| 15.44 Wavecom Open AT control command +WOPEN | 195 |
| 15.45 Wavecom Reset +WRST..... | 197 |
| 15.46 Set Standard Tone +WSST..... | 198 |
| 15.47 Wavecom Location +WLOC..... | 199 |
| 15.48 Wavecom Bus Read +WBR | 202 |
| 15.49 Wavecom Bus Write +WBW..... | 204 |
| 15.50 Wavecom Bus Management +WBM | 205 |
| 15.51 Wavecom Hang-up +WATH | 210 |
| 15.52 Write IMEI +WIMEI | 210 |
| 15.53 Write IMEI SVN: +WSVN | 211 |
| 15.54 Wavecom multi-band selection command: +WMBS..... | 212 |
| 16 SIM TOOLKIT | 214 |
| 16.1 Overview of SIM Application ToolKit | 214 |
| 16.2 Messages exchanged during a SIM ToolKit operation. | 215 |
| 16.3 SIM TOOLKIT COMMANDS..... | 216 |
| 17 GPRS commands | 229 |
| 17.1 Define PDP Context +CGDCONT | 229 |
| 17.2 Quality of Service Profile (Requested) +CGQREQ | 232 |

| | | |
|-----------|---|------------|
| 17.3 | Quality of Service Profile (Minimum acceptable) +CGQMIN | 238 |
| 17.4 | GPRS attach or detach +CGATT | 240 |
| 17.5 | PDP context activate or deactivate +CGACT | 241 |
| 17.6 | Enter data state +CGDATA..... | 243 |
| 17.7 | GPRS mobile station class +CGCLASS | 244 |
| 17.8 | Select service for MO SMS messages +CGSMS | 247 |
| 17.9 | GPRS event reporting +CGEREP | 248 |
| 17.10 | GPRS network registration status +CGREG | 250 |
| 17.11 | Request GPRS IP service 'D' | 251 |
| 17.12 | Network requested PDP context activation | 252 |
| 17.13 | Automatic response to a network request for PDP context activation +CGAUTO | 253 |
| 17.14 | Manual response to a network request for PDP context activation +CGANS | 255 |
| 17.15 | Show PDP address +CGPADDR | 257 |
| 17.16 | Cellular result codes +CRC | 258 |
| 17.17 | Service reporting control +CR | 258 |
| 17.18 | Extended error report +CEER | 259 |
| 17.19 | GPRS PARAMETERS CUSTO : +WGPRS | 260 |
| 17.20 | Full AT GPRS commands examples..... | 262 |
| 18 | Other AT commands..... | 264 |
| 18.1 | V.25 ter recommendation | 264 |
| 18.2 | GSM 07.05 recommendation..... | 264 |
| 18.3 | GSM 07.07 recommendation..... | 264 |
| 19 | Appendices..... | 265 |
| 19.1 | ME error result code : +CME ERROR: <error> | 265 |
| 19.2 | Message service failure result code: +CMS ERROR : <er> | 266 |
| 19.3 | Specific error result codes | 267 |
| 19.4 | Failure Cause from GSM 04.08 recommendation (+CEER)..... | 267 |
| 19.5 | Specific Failure Cause for +CEER..... | 269 |
| 19.6 | GSM 04.11 Annex E-2: Mobile originating SM-transfer..... | 269 |
| 19.7 | Unsolicited result codes..... | 270 |
| 19.8 | Final result codes | 271 |
| 19.9 | Intermediate result codes | 271 |
| 19.10 | Parameters storage | 272 |

| | |
|--|------------|
| 19.11 GSM sequences list..... | 275 |
| 19.12 Operator names..... | 278 |
| 19.13 Data / Commands multiplexing protocol | 286 |
| 19.14 CPHS Information field | 288 |
| 19.15 CSP constants | 289 |
| 20 APPENDIX A (informative) | 292 |
| 20.1 Examples with the PIN required | 292 |
| 20.2 Examples where a voice call is originated..... | 293 |
| 20.3 Example with incoming calls | 293 |
| 20.4 Example of a call forwarding | 294 |
| 20.5 Example of a multiparty call..... | 294 |
| 20.6 Examples about phonebooks | 294 |
| 20.7 Examples about short messages | 296 |
| 20.8 Examples about Fax class 2 | 296 |
| 21 APPENDIX B: Support of SIM ToolKit by The M.E. | 298 |
| 22 APPENDIX C: Structure of TERMINAL PROFILE | 300 |
| 23 APPENDIX D: Command Type and Next Action Indicator..... | 302 |
| 24 APPENDIX E: Coding of Alpha fields in the SIM for UCS2 | 303 |
| 25 APPENDIX F: Specification of Power Down Control via RS232 | 305 |
| 26 APPENDIX G : Conditions for command execution and dependence to SIM..... | 307 |
| 26.1 General commands..... | 307 |
| 26.2 Call Control commands | 307 |
| 26.3 Network service commands | 308 |
| 26.4 Security commands..... | 308 |
| 26.5 Phonebook commands | 308 |
| 26.6 Short Messages commands | 309 |
| 26.7 Supplementary Services commands..... | 309 |
| 26.8 Data commands | 309 |
| 26.9 Fax commands..... | 310 |
| 26.10 Class 2 Commands..... | 310 |

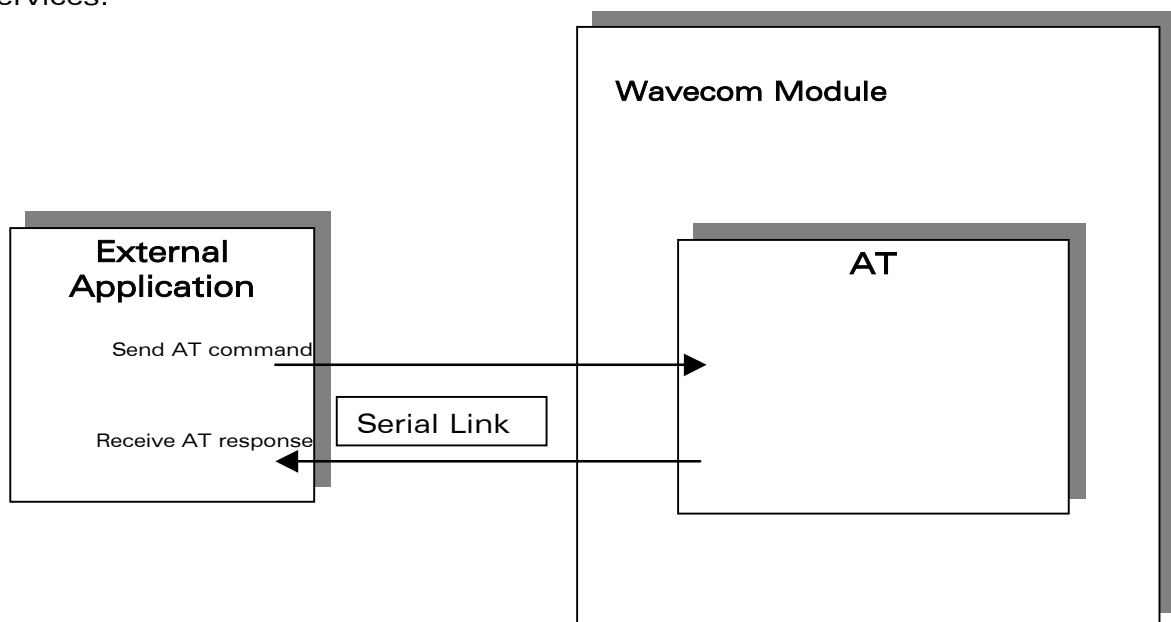
| | |
|--|------------|
| 26.11 V24-V25 commands..... | 310 |
| 26.12 Specific AT commands..... | 311 |
| 26.13 SIM Toolkit commands..... | 312 |
| 26.14 GPRS commands..... | 312 |
| 27 AT Commands Alphabetical Index | 313 |

WAVECOM, WISMO are trademarks or registered trademarks of Wavecom S.A.
All other company and/or product names mentioned may be trademarks or
registered trademarks of their respective owners.

1 Introduction

1.1 Scope of this document

This document describes the AT-command based messages exchanged between an application and the WAVECOM products in order to manage GSM related events or services.



1.2 Related documents

This interface specification is based on the following recommendations:

[1] ETSI GSM 07.05: Digital cellular telecommunications system (Phase 2); Use of DTE-DCE interface for Short Message Service (SMS) and Cell Broadcast Service (CBS)

[2] ETSI GSM 07.07: Digital cellular telecommunications system (Phase 2); AT command set for GSM Mobile Equipment (ME)

[3] ITU-T Recommendation V.25 ter: Serial asynchronous automatic dialling and control

[4] ETSI GSM 03.40: Digital cellular telecommunications system (Phase 2); Technical implementation of the Short Message Service (SMS) Point-to-Point (PP)

[5] ETSI GSM 03.38: Digital cellular telecommunications system (Phase 2); Alphabets and language-specific information

[6] ETSI GSM 04.80: Digital cellular telecommunications system (Phase 2); Mobile radio interface layer 3, Supplementary service specification, Formats and coding

1.3 ETSI secretariat

The following addresses may be of use in obtaining the latest GSM recommendations:

Postal address: F-06921 Sophia Antipolis CEDEX – France

Office address: 650 Route des Lucioles – Sophia Antipolis – Valbonne – France

e-mail: secretariat@etsi.fr

Tel: +33 4 92 94 42 00

Fax: +33 4 93 65 47 16

1.4 Definitions

The words, “Mobile Station” (MS) or “Mobile Equipment” (ME) are used for mobile terminals supporting GSM services.

A call from a GSM mobile station to the PSTN is called a “mobile originated call” (MOC) or “outgoing call”, and a call from a fixed network to a GSM mobile station is called a “mobile terminated call” (MTC) or “incoming call”.

In this document, the word “product” refers to any Wavecom product supporting the AT commands interface.

1.5 Presentation rules

In the following, the AT commands are presented with as much precision as possible, through three paragraphs. A “Description” paragraph provides general information on the AT command (or response) behaviour. A “Syntax” paragraph describes the way to use it, the possible answers, through a readable format. A “Defined values” paragraph provides parameters values, as well for the AT command as for the corresponding responses. Schemas are provided where necessary.

2 AT commands features

2.1 Wavecom line settings

A serial link handler is set with the following default values (factory settings): autobaud, 8 bits data, 1 stop bit, no parity, RTS/CTS flow control. Please use the +IPR, +IFC and +ICF commands to change these settings.

2.2 Command line

Commands always start with AT (which means ATtention) and finish with a <CR> character.

2.3 Information responses and result codes

Responses start and end with <CR><LF> (except for the ATV0 DCE response format) and the ATQ1 (result code suppression) commands.

- If command syntax is incorrect, the "ERROR" string is returned,.
- If command syntax is correct but transmitted with wrong parameters, the +CME ERROR: <Err> or +CMS ERROR: <SmsErr> strings is returned with adequate error codes if CMEE was previously set to 1. By default, CMEE is set to 0, and the error message is only "ERROR".
- If the command line has been executed successfully, an "OK" string is returned.

In some cases, such as "AT+CPIN?" or (unsolicited) incoming events, the product does not return the "OK" string as a response.

In the following examples <CR> and <CR><LF> are intentionally omitted.

3 General behaviors

3.1 SIM Insertion, SIM Removal

SIM card Insertion and Removal procedures are supported. There are software functions relying on positive reading of the hardware SIM detect pin. This pin state (open/closed) is permanently monitored.

When the SIM detect pin indicates that a card is present in the SIM connector, the product tries to set up a logical SIM session. The logical SIM session will be set up or not depending on whether the detected card is a SIM Card or not. The AT+CPIN? command delivers the following responses:

- If the SIM detect pin indicates "absent", the response to AT+CPIN? is "+CME ERROR 10" (SIM not inserted).
- If the SIM detect pin indicates "present", and the inserted card is a SIM card, the response to AT+CPIN? is "+CPIN: xxx" depending on SIM PIN state.
- If the SIM detect pin indicates "present", and the inserted card is not a SIM card, the response to AT+CPIN? is "+CME ERROR 10".
- These last two states are not provided immediately due to background initialization. Between the hardware SIM detect pin indicating "present" and the final results, the AT+CPIN? sends "+CME ERROR: 515" (Please wait, init in progress).

When the SIM detect pin indicates card absence, and if a SIM Card was previously inserted, an IMSI detach procedure is performed, all user data is removed from the product (Phonebooks, SMS etc.). The product then switches to **emergency mode**.

3.2 Background initialization

After entering the PIN (Personal Identification Number), some SIM user data files are loaded into the product (phonebooks, SMS status, etc.). Please be aware that it might take some time to read a large phonebook.

The AT+CPIN? command response occurs after the PIN checking. After this response user data is loaded in background. This means that some data may not be available just when PIN entry is confirmed by 'OK'. The reading of phonebooks will then be refused by "+CME ERROR: 515" or "+CMS ERROR: 515" meaning, "Please wait, service is not available yet, init in progress".

This type of answer may be sent by the product at several points:

- when trying to execute another AT command before the previous one is completed (before response),
- when switching from ADN to FDN (or FDN to ADN) and trying to read the relevant phonebook immediately,
- when asking for +CPIN? status immediately after SIM insertion and before the product has determined if the inserted card is a valid SIM card.

4 General commands

4.1 Manufacturer identification +CGMI

4.1.1 Description :

This command gives the manufacturer identification.

4.1.2 Syntax :

Command syntax : AT+CGMI

| Command | Possible responses |
|---|--|
| AT+CGMI | WAVECOM MODEM OK |
| <i>Note : Get manufacturer identification</i> | <i>Note : Command valid, Wavecom modem</i> |

4.1.3 Defined values :

No parameter

4.2 Request model identification +CGMM

4.2.1 Description :

This command is used to get the supported frequency bands. With multi-band products the response may be a combination of different bands.

4.2.2 Syntax :

Command syntax : AT+CGMM

| Command | Possible responses |
|------------------------------------|---|
| AT+CGMM | 900P OK |
| <i>Note : Get hardware version</i> | <i>Note : GSM 900 MHz primary band. Other possible answers: "900E" (extended band), "1800" (DCS), "1900" (PCS) or "MULTIBAND"</i> |

4.2.3 Defined values :

No parameter

4.3 Request revision identification +CGMR

4.3.1 Description :

This command is used to get the revised software version.

4.3.2 Syntax :

Command syntax : AT+CGMR

| Command | Possible responses |
|---|---|
| AT+CGMR <i>Note : Get software version</i> | 440_09gm.Q2406A 1266500 020503 17:06 OK <i>Note : Software release 4.40, generated on the 05th of February 2003</i> |

4.3.3 Defined values :

No parameter

4.4 Product Serial Number +CGSN

4.4.1 Description :

This command allows the user application to get the IMEI (International Mobile Equipment Identity, 15 digits number) of the product.

4.4.2 Syntax :

Command syntax : AT+CGSN

| Command | Possible responses |
|---------------------------------------|--|
| AT+CGSN <i>Note : Get the IMEI</i> | 012345678901234 OK <i>Note : IMEI read from EEPROM</i> |
| AT+CGSN <i>Note : Get the IMEI</i> | +CME ERROR: 22 <i>Note : IMEI not found in EEPROM</i> |

4.4.3 Defined values :

No parameter

4.5 Select TE character set +CSCS

4.5.1 Description :

This command informs the ME which character set is used by the TE. The ME can convert each character of entered or displayed strings. This is used to send, read or write short messages. See also +WPCS for the phonebooks' character sets.

4.5.2 Syntax :

Command syntax : AT+CSCS=<Character Set>

| Command | Possible responses |
|---|---|
| AT+CSCS="GSM" <i>Note : GSM default alphabet</i> | OK <i>Note : Command valid</i> |
| AT+CSCS="PCCP437" <i>Note : PC character set code page 437</i> | OK <i>Note : Command valid</i> |
| AT+CSCS=? <i>Note : Get possible values</i> | +CSCS: ("GSM","PCCP437","CUSTOM","HEX") OK <i>Note : Possible values</i> |

4.5.3 Defined values :

<Character Set>

- "GSM" GSM default alphabet.
- "PCCP437" PC character set code page 437.
- "CUSTOM" User defined character set (cf. +WCCS command).
- "HEX" Hexadecimal mode. No character set used ; the user can read or write hexadecimal values.

4.6 Wavcom Phonebook Character Set +WPCS

4.6.1 Description :

This **specific** command informs the ME which character set is used by the TE for the phonebooks. The ME can convert each character of entered or displayed strings. This is used to read or write phonebook entries. See also +CSCS for the short messages character sets.

4.6.2 Syntax :

Command syntax : AT+WPCS=<Character Set>

| Command | Possible responses |
|---|---|
| AT+WPCS="TRANSPARENT" <i>Note : Transparent mode</i> | OK <i>Note : Command valid</i> |
| AT+WPCS="CUSTOM" <i>Note : Custom character set</i> | OK <i>Note : Command valid</i> |
| AT+WPCS=? <i>Note : Get possible values</i> | +WPCS: ("TRANSPARENT","HEX","CUSTOM") OK <i>Note : Possible values</i> |

4.6.3 Defined values :

<Character Set>

- "TRANSPARENT" Transparent mode. The strings are displayed and entered as they are stored in SIM or in ME.
- "CUSTOM" User defined character set (cf. +WCCS command).
- "HEX" Hexadecimal mode. No character set used ; the user can read or write hexadecimal values.

4.7 Request IMSI +CIMI

4.7.1 Description :

This command is used to read and identify the IMSI (International Mobile Subscriber Identity) of the SIM card. The PIN may need to be entered before reading the IMSI.

4.7.2 Syntax

Command syntax : AT+CIMI

| Command | Possible responses |
|--|--|
| AT+CIMI <i>Note : Read the IMSI</i> | 208200120320598 OK <i>Note : IMSI value (15 digits), starting with MCC (3 digits) / MNC (2 digits, 3 for PCS 1900)</i> |

See appendix 19.12 for MCC / MNC description.

4.7.3 Defined values :

No parameter

4.8 Card Identification +CCID

4.8.1 Description :

This command orders the product to read the EF-CCID file on the SIM card.

4.8.2 Syntax :

Command syntax : AT+CCID

| Command | Possible responses |
|--|---|
| AT+CCID <i>Note : Get card ID</i> | +CCID: "123456789AB111213141" <i>Note : EF-CCID is present, hexadecimal format</i> |
| AT+CCID? <i>Note : Get current value</i> | + CCID: "123456789AB111213141" <i>Note : Same result as +CCID</i> |
| AT+CCID= ? <i>Note : Get possible value</i> | OK <i>Note : No parameter but this command is valid</i> |

4.8.3 Defined values :

No parameter

If there is no EF-CCID file present on the SIM, the +CCID answer will not be sent, but the OK message will be returned.

4.9 Capabilities list +GCAP

4.9.1 Description :

This command gets the complete list of capabilities.

4.9.2 Syntax :

Command syntax : AT+GCAP

| Command | Possible responses |
|--|---|
| AT+GCAP <i>Note : Get capabilities list</i> | +GCAP: +CGSM +FCLASS OK <i>Note : Supports GSM and FAX commands</i> |

4.9.3 Defined values :

No parameter

4.10 Repeat last command A/**4.10.1 Description :**

This command repeats the previous command. Only the A/ command itself cannot be repeated.

4.10.2 Syntax :

Command syntax : A/

| Command | Possible responses |
|---|--------------------|
| A/ <i>Note : Repeat last command</i> | |

4.10.3 Defined values :

No parameter

4.11 Power off +CPOF**4.11.1 Description :**

This **specific** command stops the GSM software stack as well as the hardware layer. The AT+CFUN=0 command is equivalent to +CPOF.

4.11.2 Syntax :

Command syntax : AT+CPOF

| Command | Possible responses |
|---|-----------------------------------|
| AT+CPOF <i>Note : Stop GSM stack</i> | OK <i>Note : Command valid</i> |

4.11.3 Defined values :

No parameter

4.12 Set phone functionality +CFUN

4.12.1 Description :

This command selects the mobile station's level of functionality. When the application wants to stop the product with a power off, or if the application wants to force the product to execute an IMSI DETACH procedure, then it must send:

AT+CFUN=0 (equivalent to AT+CPOF)

This command executes an IMSI DETACH and makes a backup copy of some internal parameters in SIM and in EEPROM. The SIM card cannot then be accessed.

If the mobile equipment is not powered off by the application after this command has been sent, a re-start command (AT+CFUN=1) will have to be issued to restart the whole GSM registration process.

If the mobile equipment is turned off after this command, then a power on will automatically restart the whole GSM process.

The AT+CFUN=1 command restarts the entire GSM stack and GSM functionality: a complete software reset is performed. All parameters are reset to their previous values if AT&W was not used.

If you write entries in the phonebook (+CPBW) and then reset the product directly (AT+CFUN=1, with no previous AT+CFUN=0 command), some entries may not be written (the SIM task does not have enough time to write entries in the SIM card).

In addition, the OK response will be sent at the last baud rate defined by the +IPR command. With the autobauding mode the response can be at a different baud rate, it is therefore preferable to save the defined baud rate with AT&W before directly sending the AT+CFUN=1 command.

4.12.2 Syntax :

Command syntax : AT+CFUN=<functionality level>

| Command | Possible responses |
|---|--|
| AT+CFUN? <i>Note : Ask for current functionality level</i> | +CFUN: 1 OK <i>Note : Full functionality</i> |
| AT+CFUN=0 <i>Note : Set minimum functionality, IMSI detach procedure</i> | OK <i>Note : Command valid</i> |
| AT+CFUN=1 <i>Note : Set the full functionality mode with a complete software reset</i> | OK <i>Note : Command valid</i> |

4.12.3 Defined values :

<functionality level>

0 : Set minimum functionality, IMSI detach procedure

1 : Set the full functionality mode with a complete software reset

4.13 Phone activity status +CPAS**4.13.1 Description :**

This command returns the activity status of the mobile equipment.

4.13.2 Syntax :

Command syntax : AT+CPAS

| Command | Possible responses |
|--|--------------------|
| AT+CPAS <i>Note : Current activity status</i> | +CPAS: <pas> OK |

4.13.3 Defined values :

<pas>

0 ready (allow commands from TA/TE)

1 unavailable (does not allow commands)

2 unknown

3 ringing (ringer is active)

4 call in progress

5 asleep (low functionality)

4.14 Report Mobile Equipment errors +CMEE**4.14.1 Description :**

This command disables or enables the use of the "+CME ERROR : <xxx>" or "+CMS ERROR : <xxx>" result code instead of simply "ERROR". See appendix 19.1 for +CME ERROR result codes description and appendix 19.2 for +CMS ERROR result codes.

4.14.2 Syntax :

Command syntax : AT+CMEE=<error reporting flag>

| Command | Possible responses |
|--|--------------------|
| AT+CMEE=0 <i>Note : Disable ME error reports, use only « ERROR »</i> | OK |
| AT+CMEE=1 <i>Note : Enable «+CME ERROR: <xxx>» or «+CMS ERROR: <xxx>»</i> | OK |

4.14.3 Defined values :

<error reporting flag>

0 : Disable ME error reports, use only « ERROR »

4.15 1 : Enable «+CME ERROR: <xxx>» or «+CMS ERROR: <xxx>» Keypad control +CKPD

4.15.1 Description :

This command emulates the ME keypad by sending each keystroke as a character in a <keys> string.

The supported GSM sequences are listed in the appendix.

If emulation fails, a +CME ERROR: <err> is returned.

If emulation succeeds, the result depends on the GSM sequence activated:

Note: In the case where the FDN phonebook is activated, the sequences concerning "call forwarding" are allowed only if the entire sequence is written in the FDN.

4.15.2 Syntax :

Command syntax : AT+CKPD=<keys>

| Command | Possible responses |
|---|--------------------|
| AT+CKPD="*#21#" <i>Note : Check every call forwarding status</i> | +CCFC: 0,7 |
| AT+CKPD="1234" <i>Note : Sequence not allowed</i> | +CME ERROR 3 |

4.15.3 Defined values :

<keys>

Keyboard sequence : string of the following characters (0-9,*,#).

4.16 Clock Management +CCLK

4.16.1 Description :

This command is used to set or get the current date and time of the ME real-time clock.

4.16.2 Syntax :

Command syntax : AT+CCLK=<date and time string>

| Command | Possible responses |
|--|--|
| AT+CCLK="00/06/09,17:33:00" <i>Note : set date to June 9th, 2000, and time to 5:33pm</i> | OK <i>Note : Date/Time stored</i> |
| AT+CCLK="00/13/13,12:00:00" <i>Note : Incorrect month entered</i> | +CME ERROR 3 |
| AT+CCLK? <i>Note : Get current date and time</i> | +CCLK: "00/06/09,17:34:23" OK <i>Note : current date is June 9th, 2000 current time is 5:34:23 pm</i> |

4.16.3 Defined values :

<date and time string>

String format for date/time is: "yy/MM/dd,hh:mm:ss".

Valid years are 98 (for 1998) to 97 (for 2097). The seconds field is not mandatory. Default date/time is "98/01/01,00:00:00" (January 1st, 1998 / midnight).

4.17 Alarm Management +CALA

4.17.1 Description :

This command is used to set alarms date/time in the ME.
The maximum number of alarms is 16.

4.17.2 Syntax :

Command syntax : AT+CALA=<date and time string> (set alarm)
 AT+CALA="" ,<index> (delete alarm)

| Command | Possible responses |
|---|--|
| AT+CALA="00/06/09,07:30" <i>Note : set an alarm for June 9th, 2000 at 7:30 am</i> | OK <i>Note : Alarm stored</i> |
| AT+CALA="99/03/05,13:00:00" <i>Note : set an alarm for March 5th, 1999 at 1:00 pm</i> | +CME ERROR 3 <i>Note : Invalid alarm (date/time expired)</i> |
| AT+CALA? <i>Note : list all alarms</i> | +CALA: "00/06/08,15:25:00",1 +CALA: "00/06/09,07:30:00",2 +CALA: "00/06/10,23:59:00",3 <i>Note : three alarms are set (index 1, 2, 3)</i> |
| | +CALA: "00/06/08,15:25:00",1 <i>Note : an alarm occurs (index 1)</i> |
| AT+CALA="" ,3 <i>Note : delete alarm index 3</i> | OK <i>Note : Alarm index 3 deleted</i> |
| AT+CALA? <i>Note : list all alarms</i> | +CALA: "00/06/09,07:30:00",2 <i>Note : Only one alarm (index 2)</i> |

4.17.3 Defined values :

<date and time string>

String format for alarms : "yy/MM/dd,hh:mm:ss" (see +CCLK).

Note : Seconds are not taken into account.

<index>

offset in the alarm list, range 1 to 16.

4.18 Ring Melody Playback +CRMP

4.18.1 Description

This command allows a melody to be played. All melodies are manufacturer defined.

For incoming voice, data or fax calls, 10 manufacturer-defined melodies can be played back (in a loop).

For an incoming short message, 2 manufacturer-defined sounds can be played back (once). Melody #1: short beep / Melody #2: long beep.

Note:

loop melodies (for voice/data/fax call) must be stopped by a +CRMP command with the <index> field set to 0 (example: +CRMP=0,,,0).

When the <volume> parameter is given, this overwrites the <sound level> value of the +CRSL command. If the <volume> parameter is not given, the <sound level> value of +CRSL is used as default value.

4.18.2 Syntax :

Command syntax : AT+CRMP=<call type>[,<volume>,<type>,<index>]

| Command | Possible responses |
|--|--|
| AT+CRMP=0,7,0,2 <i>Note : Play voice call melody index 2 with volume level 7.</i> | OK <i>Note : Melody Playback.</i> |
| AT+CRMP=0,,,0 <i>Note : Stop the melody.</i> | OK <i>Note : The melody is stopped.</i> |
| AT+CRMP=? <i>Note : supported parameters</i> | +CRMP: (0-3),(0-15),0,(0-10) OK |

4.18.3 Defined values :

<call type>

- 0 Incoming voice call
- 1 Incoming data call
- 2 Incoming fax call
- 3 Incoming short message (SMS)

<volume>

- 0 Min volume
- ...
- 6 Default volume
- 15 Max volume

<type>

- 0 Manufacturer Defined (default)

<index>

- 0 Stop Melody Playback
- 1-10 Melody ID for voice/data/fax call type (default : 1)
- 1-2 Melody ID for short message (default : 1)

4.19 Ringer Sound Level +CRSL

4.19.1 Description :

This command is used to set/get the sound level of the ringer on incoming calls. The set command changes the default <volume> value of the +CRMP command.

4.19.2 Syntax :

Command syntax : AT+CRSL=<sound level>

| Command | Possible responses |
|--|---|
| AT+CRSL=0 <i>Note : Set volume to Min.</i> | OK <i>Note : Current ring playing with Min. volume.</i> |
| AT+CRSL=15 <i>Note : Set volume to Max.</i> | OK <i>Note : Current ring playing with Max. volume.</i> |
| AT+CRSL? <i>Note : get current ringer sound level</i> | +CRSL: 15 OK <i>Note : Current level is 15 (max.)</i> |
| AT+CRSL=? <i>Note : supported parameters</i> | +CRSL: (0-15) OK |

4.19.3 Defined values :

<sound level>

- 0 Min volume
- 6 Default volume (default)
- 15 Max volume

5 Call Control commands

5.1 Dial command D

5.1.1 Description :

The ATD command is used to **set a voice, data or fax call**. As per GSM 02.30, the dial command also controls supplementary services.

For a **data** or a **fax call**, the application sends the following ASCII string to the product (the bearer must be previously selected with the +CBST command):

ATD<nb> where <nb> is the destination phone number.

For a **voice call**, the application sends the following ASCII string to the product: (the bearer may be selected previously, if not a default bearer is used).

ATD<nb>; where <nb> is the destination phone number.

Please note that for an **international number**, the local international prefix does not need to be set (usually 00) but does need to be replaced by the '+' character.

Example: to set up a voice call to Wavecom offices from another country, the AT command is: **"ATD+33146290800;"**

Note that some countries may have specific numbering rules for their GSM handset numbering.

The response to the ATD command is one of the following:

| Verbose code | result | Numeric code (with ATV0 set) | Description |
|--------------------|--------|------------------------------|--|
| OK | | 0 | if the call succeeds, for voice call only |
| CONNECT <speed> | | 10,11,12,13,14, 15 | if the call succeeds, for data calls only, <speed> takes the value negotiated by the product. |
| BUSY | | 7 | If the called party is already in communication |
| NO ANSWER | | 8 | If no hang up is detected after a fixed network time-out |
| NO CARRIER | | 3 | Call setup failed or remote user release. Use the AT+CEER command to know the failure cause |

Direct dialling from a phonebook (stored in the SIM card) can be performed with the following command:

ATD> <index>; to call <index> from the selected phonebook (by the +CPBS command)

ATD> "BILL"; to call "BILL" from the selected phonebook

ATD> mem <index> (mem is "SM","LD","MC","ME","RC","MT" or "SN",

see +CPBS command) allows direct dialling from a phonebook number. Does not function with "ON" mem.

5.1.2 Syntax :

Command syntax : ATD<nb>[<l>][;]
 ATD>[<mem>]<index>[<l>][;]
 ATD>[<mem>]<name>[<l>][;]

| Command | Possible responses |
|---|---|
| AT+CPBS? <i>Note : Which phonebook is selected ?</i> | +CPBS:"SM",8,10 <i>Note : ADN phonebook is selected, 8 locations are used and 10 locations are available</i> |
| ATD>SM6; <i>Note : Call index 6 from AND phonebook</i> | OK <i>Note : Call succeeds</i> |

When the **FDN phonebook** has been **locked**, only numbers beginning with the digits of FDN phonebook entries can be called.

For example, if "014629" is entered in the FDN phonebook all the phone numbers beginning with these 6 digits can be called.

The **CLIR supplementary service** subscription can be overridden for **this call only**.

"I" means "invocation" (restrict CLI presentation).

"i" means "suppression" (allow CLI presentation).

Control of **CUG supplementary service** information by "G" or "g" is allowed for **this call only**. The index and info values set with the +CCUG command are used.

An outgoing call attempt could be refused if the AOC service is active and credit has expired (NO CARRIER).

When trying to set up an outgoing call while there is an active call, the active call is first **put on hold**, then the call set up is carried out.

As per GSM 02.30, **GSM sequences** may be controlled using dial commands. These sequences can contain "*", "#", but ";" is forbidden.

If the sequence is not supported or fails, +CME ERROR: <err> is returned.

In the case where the FDN phonebook is activated, the sequences concerning call forwarding are allowed only if there are written in the FDN.

See paragraph [19.11](#) to have the list of supported sequences.

| Command | Possible responses |
|---|--|
| ATD*#21# <i>Note : Check any call forwarding status</i> | +CCFC: 0,7 <i>Note : No call forwarding</i> |
| ATD**61*+33146290800**25# <i>Note : Register call forwarding on no reply, with no reply timer fixed at 25 s.</i> | OK <i>Note : done</i> |
| ATD*2# <i>Note : Bad sequence</i> | +CME ERROR 3 |

5.1.3 Defined values :

<nb>

destination phone number

<l> (optional parameter)

"l" means "invocation" (restrict CLI presentation).

"i" means "suppression" (allow CLI presentation).

<mem>

phonebook (one of "SM", "LD", "MC", "ME", "RC", "MT" or "SN"). A default value can be selected by +CPBS command.

<index>

call number at indicated offset from the phonebook selected by the +CPBS command

<name>

call number corresponding to given name from the phonebook selected by the +CPBS command

5.2 Hang-Up command H

5.2.1 Description :

The ATH (or ATH0) command is used by the application to disconnect the remote user. In the case of multiple calls, all calls are released (active, on-hold and waiting calls).

The specific Wavecom ATH1 command has been appended to disconnect the current outgoing call, only in dialing or alerting state (ie. ATH1 can be used only after the ATD command, and before its terminal response (OK, NO CARRIER, ...)). It can be useful in the case of multiple calls.

5.2.2 Syntax :

Command syntax : ATH<n>

| Command | Possible responses |
|---|--|
| ATH <i>Note : Ask for disconnection</i> | OK <i>Note : Every call, if any, are released</i> |
| ATH1 <i>Note : Ask for outgoing call disconnection</i> | OK <i>Note : Outgoing call, if any, is released</i> |

5.2.3 Defined values :

<n>

0 : Ask for disconnection (default value)

1 : Ask for outgoing call disconnection

5.3 Answer a call A

5.3.1 Description :

When the product receives a call, it sets the **RingInd** signal and sends the ASCII "RING" or "+CRING: <type>" string to the application (+CRING if the cellular result code +CRC is enabled). Then it waits for the application to accept the call with the ATA command.

5.3.2 Syntax :

Command syntax : ATA

| Command | Possible responses |
|---|---------------------------------------|
| | RING <i>Note : Incoming call</i> |
| ATA <i>Note : Answer to this incoming call</i> | OK <i>Note : Call accepted</i> |
| ATH <i>Note : Disconnect call</i> | OK <i>Note : Call disconnected</i> |

5.3.3 Defined values :

No parameter

5.4 Remote disconnection

This message is used by the product to inform the application that an active call has been released by the remote user.
The product sends "NO CARRIER" to the application and sets the DCD signal.
In addition, for AOC, the product can release the call if credit has expired (release cause 68 with +CEER command).

5.5 Extended error report +CEER

5.5.1 Description :

This command gives the cause of call release when the last call set up (originating or answering) failed.

5.5.2 Syntax :

Command syntax : AT+CEER

| Command | Possible responses |
|--|---|
| ATD123456789; <i>Note : Outgoing voice call</i> | NO CARRIER <i>Note : Call setup failure</i> |
| AT+CEER <i>Note : Ask for reason of release</i> | +CEER : Error <xxx> OK <i>Note : <xxx>is the cause information element values from GSM recommendation 04.08 or specific Call accepted</i> |

For the cause information element from GSM 04.08 see chapter 18.4 or 18.5. "NO CARRIER" indicates that the AT+CEER information is available for failure diagnosis.

5.5.3 Defined values :

No parameter

5.6 DTMF signals +VTD, +VTS

5.6.1 +VTD Description :

The product enables the user application to send DTMF tones over the GSM network. This command is used to define tone duration (the default value is 300ms).

5.6.2 +VTD Syntax :

Command syntax : AT+VTD=<n>

| Command | Possible responses |
|--|-----------------------------------|
| AT+VTD=6 <i>Note : To define 600 ms tone duration</i> | OK <i>Note : Command valid</i> |
| AT+VTD=0 <i>Note : To set the default value</i> | OK |
| AT+VTD? <i>Note : interrogate current tone duration</i> | +VTD : <n> OK |
| AT+VTD=? | +VTD : (0-255) OK |

5.6.3 Defined values :

<n> : tone duration

<n>*100 is the duration in ms.

If n < 4, tone duration is 300 ms; if n > 255, the value is used modulo 256.

Default value is 300 ms, that is <n> = 3.

5.6.4 +VTS Description :

The product enables the user application to send DTMF tones over the GSM network. This command enables tones to be transmitted, only when there is an active call.

5.6.5 +VTS Syntax :

Command syntax : AT+VTS=<Tone>

| Command | Possible responses |
|--|---|
| AT+VTS=A | OK <i>Note : Command valid</i> |
| AT+VTS=11 | +CME ERROR: 4 <i>Note : If the <Tone> is wrong</i> |
| AT+VTS=4 | +CME ERROR: 3 <i>Note : If there is no communication</i> |
| AT+VTS=1;+VTS=3;+VTS=# OK <i>Note : send tone sequence 13#</i> | |

5.6.6 Defined values :

<Tone> : DTMF tone to transmit
<Tone> is in {0-9, *, #, A, B, C, D}

5.7 Redial last telephone number ATDL

5.7.1 Description :

This command is used by the application to redial the last number used in the ATD command. The last number dialed is displayed followed by ";" for voice calls only

5.7.2 Syntax :

Command syntax : ATDL

| Command | Possible responses |
|--|--|
| ATDL <i>Note : Redial last number</i> | 0146290800; OK <i>Note : Last call was a voice call. Command valid</i> |

5.7.3 Defined values :

No parameter

5.8 Automatic dialing with DTR AT%Dn

5.8.1 Description :

This command enables and disables:

- automatic dialling of the phone number stored in the first location of the ADN phonebook,
- automatic sending of the short message (SMS) stored in the first location of the SIM.

The number is dialled when DTR OFF switches ON.

The short message is sent when DTR OFF switches ON.

5.8.2 Syntax :

Command syntax : AT%D<n>[;]

| Command | Possible responses |
|---|---|
| AT%D1; <i>Note : Activates DTR number dialling</i> | OK <i>Note : Command has been executed</i> |
| DTR is OFF DTR switches ON <i>Note : The number in the first location of the ADN is dialled automatically</i> DTR switches OFF <i>Note : The product goes on-hook</i> | |
| AT%D2 <i>Note : Activates DTR short message sending</i> | OK <i>Note : Command has been executed</i> |

5.8.3 Defined values :

<n> (0-2)

to enable or disable automatic message transmission or number dialling. Informs the product that the number is a voice rather than a fax or data number.

AT%D0

Disables automatic DTR number dialling / message transmission.

AT%D1;

Enables automatic DTR dialling if DTR switches from OFF to ON; Dials the phone number in the first location of the ADN phonebook. **Voice call.**

AT%D1

Activates automatic DTR dialling if DTR switches from OFF to ON; Dials the phone number in the first location of the ADN phonebook. **Data or Fax call.**

AT%D2

Activates automatic DTR message transmission if DTR switches from OFF to ON.

5.9 Automatic answer ATSO

5.9.1 Description :

This S0 parameter determines and controls the product automatic answering mode.

5.9.2 Syntax :

Command syntax : ATSO=<value>

| Command | Possible responses |
|--|--|
| ATSO=2 <i>Note : Automatic answer after 2 rings</i> | OK |
| ATSO? <i>Note : Current value</i> | 002 OK <i>Note : always 3 characters padded with zeros</i> |
| ATSO=0 <i>Note : No automatic answer</i> | OK <i>Note : Command valid</i> |

All others S-parameters (S6,S7,S8 ...) are not implemented.

5.9.3 Defined values :

<value>

number of rings before automatic answer (3 characters padded with zeros).

5.10 Incoming Call Bearer +CICB

5.10.1 Description :

This **specific** command is used to set the type of incoming calls when no incoming bearer is given (see +CSNS).

Note:

setting the +CICB command affects the current value of +CSNS.

5.10.2 Syntax :

Command syntax : AT+CICB=<mode>

| Command | Possible responses |
|--|---|
| AT+CICB=1 <i>Note : If no incoming bearer, force a fax call</i> | OK <i>Note : Command accepted</i> |
| AT+CICB=2 <i>Note : If no incoming bearer, force a voice call</i> | OK <i>Note : Command accepted</i> |
| AT+CICB? <i>Note : Interrogate value</i> | +CICB: 2 OK <i>Note : Default incoming bearer: voice call</i> |
| AT+CICB=? <i>Note : Test command</i> | +CICB: (0-2) OK <i>Note : Speech, data or fax default incoming bearer</i> |

5.10.3 Defined values :

<mode>

0 : Data

1 : Fax

2 : Speech

5.11 Single Numbering Scheme +CSNS**5.11.1 Description :**

This command selects the bearer to be used when an MT single numbering scheme call is set up (see +CICB).

Note:

setting the +CSNS command affects the current value of +CICB.

5.11.2 Syntax :

Command syntax : AT+CSNS

| Command | Possible responses |
|---|--|
| AT+CSNS=2 <i>Note : force a fax call</i> | OK <i>Note : Command accepted</i> |
| AT+CSNS=0 <i>Note : force a voice call</i> | OK <i>Note : Command accepted</i> |
| AT+CSNS? <i>Note : Interrogate value</i> | +CSNS: 0 OK <i>Note : Default incoming bearer: voice call</i> |
| AT+CSNS=? <i>Note : Test command</i> | +CSNS: (0,2,4) OK <i>Note : Voice, data or fax default incoming bearer</i> |

5.11.3 Defined values :

<mode>

0 : Voice

2 : Fax

4 : Data

5.12 Gain control +VGR, +VGT**5.12.1 Description :**

This command is used by the application to tune the receive gain of the speaker and the transmit gain of the microphone.

5.12.2 Syntax :

Command syntax : AT+VGR=<Rgain>
AT+VGT=<Tgain>

| Command | Possible responses |
|--|---|
| AT+VGR=25 | OK <i>Note : Command valid</i> |
| AT+VGT=45 | OK <i>Note : Command valid</i> |
| AT+VGR? <i>Note : Interrogate value</i> | +VGR: 64 OK <i>Note : Default receive gain</i> |
| AT+VGR=? <i>Note : Test command</i> | +VGR : (0-255) OK <i>Note : Possible values</i> |
| AT+VGT? <i>Note : Interrogate value</i> | +VGT: 64 OK <i>Note : Default transmit gain</i> |
| AT+VGT=? <i>Note : Test command</i> | +VGT : (0-255) OK <i>Note : Possible values</i> |

Note : For the AT+VGT ? command with controller 1 set, the value is the lower value of range, where as with controller 2, value correspond to the entered value with AT+VGT=xx.

5.12.3 Defined values :

<Rgain> : reception gain

<Tgain> : transmission gain

The application sends:

| AT+VGR=<val> | for receive gain | AT+VGT=<val> | for transmit gain | AT+VGT=<val> | for transmit gain |
|----------------|------------------|--------------|-------------------|--------------|-------------------|
| | | Controller 1 | Controller 1 | Controller 2 | Controller 2 |
| 0 to 15 | +6 db | 0 to 31 | +30 db | 0 | +0 db |
| 16 to 31 | +4 db | 32 to 63 | +33 db | 1 | +0,5 db |
| 32 to 47 | +2 db | 64 to 95 | +36 db | 2 | +1 db |
| 48 to 63 | +0 db | 96 to 127 | +39 db | 3 | +1,5 db |
| 64 to 79 | -2 db | 128 to 159 | +42 db | ... | ... |
| 80 to 95 | -4 db | 160 to 191 | +45 db | 19 | +9,5 db |
| 96 to 111 | -6 db | 192 to 223 | +48 db | 20 | +10 db |
| 112 to 127 | -8 db | 224 to 255 | +51 db | 21 (**) | +10.5 db |
| 128 to 143 | -10 db | | | 22 (**) | +11 db |
| 144 to 159 | -12 db | | | 23 (**) | +11.5 db |
| 160 to 175 | -14 db | | | ... | |
| 176 to 191 | -16 db | | | 58 (**) | +29 db |
| 192 to 207 | -18 db | | | 59 (**) | +29.5 db |
| 208 to 223 | -20 db | | | 60 (**) | +30 db |
| 224 to 255 (*) | -22 db | | | 61 | +30,5 db |
| | | | | 62 | +31 db |
| | | | | ... | ... |
| | | | | 101 | +50,5 db |
| | | | | 102 | +51 db |
| | | | | 103 to 127 | reserved |
| | | | | 128 to 242 | reserved |
| | | | | 243 | -6,5 db |
| | | | | 244 | -6 db |
| | | | | 245 | -5,5 db |
| | | | | 246 | -5 db |
| | | | | ... | ... |
| | | | | 255 | -0,5 db |

(*) For Wismo Quik Q22xx : 224 to 239 : -22db / 240 to 255 : -24db

(**) For Wismo Quik Q22xx : 21 to 60 : -+30db

The gain values listed here are relative, for absolute (electrical) values please refer to the specific hardware documentation of the module used in the application.

5.13 Microphone Mute Control +CMUT

5.13.1 Description :

This command is used to mute the microphone input on the product (for the active microphone set with the +SPEAKER command). This command is only allowed during a call.

5.13.2 Syntax :

Command syntax : AT+CMUT=<mode>

| Command | Possible responses |
|---|---|
| AT+CMUT=? <i>Note : Test command</i> | +CMUT : (0,1) OK <i>Note : Enable / disable mute</i> |
| AT+CMUT? <i>Note : Ask for current value</i> | +CMUT : 0 OK <i>Note : Current value is OFF</i> |
| AT+CMUT=1 <i>Note : Mute ON (call active)</i> | OK <i>Note : Command valid</i> |
| AT+CMUT? <i>Note : Ask for current value</i> | +CMUT : 1 OK <i>Note : Mute is active (call active)</i> |
| AT+CMUT=0 <i>Note : Mute OFF (call not active)</i> | +CME ERROR:3 <i>Note : Command not valid</i> |

5.13.3 Defined values :

<mode>

0 : microphone mute off (default value).

1 : microphone mute on.

5.14 Speaker & Microphone selection +SPEAKER

5.14.1 Description

This **specific** command is used to select the speaker and the microphone set.

5.14.2 Syntax :

Command syntax : AT+SPEAKER=<ActiveSpkMic>

| Command | Possible responses |
|---|---|
| AT+SPEAKER=0 <i>Note : Speaker ONE and Micro ONE</i> | OK <i>Note : Command valid</i> |
| AT+SPEAKER? | +SPEAKER: 0 OK <i>Note : Speaker ONE and Micro ONE are active</i> |
| AT+SPEAKER=? | +SPEAKER: (0,1) OK |

5.14.3 Defined values :

<ActiveSpkMic>

0 : SPEAKER ONE, MICRO ONE

1 : SPEAKER TWO, MICRO TWO

5.15 Echo Cancellation +ECHO**5.15.1 Description :**

This **specific** command is used to enable, disable or configure the Echo Cancellation functions for voice calls (in rooms, in cars, etc.).

It is necessary to tune the Microphone gain (AT+VGT) and the Speaker gain (AT+VGR) before activating the Echo Cancellation.

5.15.2 Syntax :

Command syntax :

AT+ECHO= <mode> [,<Algold>,
<Param1>,<Param2>,<Param3>,<Param4>,<Param5>,<Param6>]

| Command | Possible responses |
|---|---|
| AT+CMEE=1 <i>Note: Enables the use of result code</i> | OK |
| AT+SPEAKER? | + SPEAKER: 0 OK <i>Note : Speaker ONE and Micro ONE are active</i> |
| AT+SIDET=0 <i>Note: Deactivate the Sidetone</i> | OK |
| AT+SIDET? | +SIDET: 0,0 |
| AT+ECHO? <i>Note : Read current settings</i> | +ECHO: 0,1,0,3,10,7 OK |
| AT+ECHO=1,1,0,3,10,7 <i>Note : Active Echo cancellation 1 for Mic/Spk one.</i> | OK |
| AT+ECHO? <i>Note : Read current settings</i> | +ECHO: 1,1,0,3,10,7 OK |
| AT+ECHO=1,3,30,8000,256 <i>Note : Activate the Echo cancellation 3</i> | +CME ERROR: 519 <i>Note : The new algorithm will be activated after a reset of the product</i> |
| AT+ECHO? <i>Note : Read the Echo cancellation settings</i> | +ECHO: 3,3,30,8000,256 OK |
| AT+CFUN=1 <i>Note: Reset the product</i> | OK |
| AT+ECHO? <i>Note : Read current settings</i> | +ECHO: 1,3,30,8000,256 OK |
| AT+ECHO=0 <i>Note: Deactivate the Echo Cancellation</i> | OK |

5.15.3 Defined values:

<mode>

0 : Deactivate Echo

1 : Activate Echo

When mode = 1 is chosen, **Algold** is mandatory.

<Algold>

1 : Echo cancellation 1

3 : Echo cancellation 3

To use Echo cancellation 3, the ECHO feature must be activated.

Echo cancellation 1 (4 parameters) :

The parameter **<Volout>** specifies the maximum attenuation of the switch

<Volout>

0: 31 db (default)

1: 29 db

2: 27 db

3: 25 db

...

14: 3 db

15: 1 db

The parameter **<Step>** specifies the attenuation step between attenuation and no attenuation.

<Step>

0: 1 db

1: 2 db

2: 3 db

3: 4 db (default)

The **<PcmThRel>** parameter specifies the relative threshold between max and min energy information.

The allowed range is [**0 ; 31**]. (**10** by default)

The **<PcmThMax >** parameter specifies threshold of max energy information.

The allowed range is [**0 ; 31**]. (**7** by default)

Echo Cancellation 3 (3 parameters) :

<AlgoParam> high value leads to high echo attenuation but the full-duplex quality will be less efficient.

The allowed range is [**0 ; 63**]. (**30** by default)

<NoiseThres> indicates the noise threshold. Low value leads to high noise attenuation. The threshold 32767 indicates no noise attenuation. The allowed range is [**0 ; 32767**]. (**8000** default)

<NmbTaps> indicates the Number of Taps of the Adaptive Filter. The allowed range is [**64 ; 256**]. (**256** by default)-64 taps is for short Echo-256 taps is for long Echo.

Read Command: **AT+ECHO?**

This command returns the current settings of the Echo cancellation.

Returns: +ECHO: <Status>, <AlgoId>, <Param1>, <Param2>, <Param3>, <Param4>, <Param5>, <Param6>

The number of parameters displayed depends on the algorithm used. For Echo cancellation 1, 4 parameters are displayed, 3 parameters are displayed for Echo cancellation 3.

<Status>

0 Echo Deactivated.

1 Echo Activated for Mic/Spk one.

2 Echo Activated for Mic/Spk two.

3 Reset the product.

PS: You can activate/deactivate the echo cancellation during a call without resetting the product if the **<AlgoId>** parameter is not changed. But you have

to use the syntax with all parameters : AT+ECHO=1,3,30,8000,256 for instance.

5.16 SideTone modification +SIDET

5.16.1 Description :

This **specific** command is used to set the level of audio feedback in the speaker (microphone feedback in the speaker).

5.16.2 Syntax :

Command syntax : AT+SIDET=<val1>[,<val2>]

| Command | Possible responses |
|--|--|
| AT+SIDET=1,0 | OK <i>Note : Command valid</i> |
| AT+SIDET? <i>Note : Current value</i> | +SIDET: 1,0 OK <i>Note : Command valid</i> |
| AT+SIDET=? | +SIDET: (0-1),(0-3) OK |

5.16.3 Defined values :

<val1>

0: SideTone is disabled

1: SideTone is enabled

<val2> (default value 0 will be used if this parameter is not given)

0: 0 db

1: - 6 db

2: - 12 db

3: - 18 db

5.17 Initialize Voice Parameters +VIP

5.17.1 Description :

This command allows factory settings for voice parameters to be restored from EEPROM.

These voice parameters include:

- Gain control (+VGR & +VGT commands),
- Microphone mute control (+CMUT command),
- Speaker & Microphone selection (+SPEAKER command),
- Echo cancellation (+ECHO command),
- Side tone modification (+SIDET command).

5.17.2 Syntax :

Command syntax : AT+VIP=<n>

| .Command | Possible responses |
|---|---|
| AT+VIP? | +VIP: 1 OK |
| AT+VIP=2 <i>Note : Syntax error</i> | +CME ERROR: 3 |
| AT+VIP=1 <i>Note : Restore the factory settings from EEPROM</i> | OK <i>Note : The command has been executed</i> |
| AT+VIP=1 <i>Note : Restore the factory settings from EEPROM with the current Echo cancellation algo (different of the default algo).</i> | CME ERROR: 519 <i>Note : Reset the product to accept the new algo.</i> |
| AT+VIP=? <i>Note : List of supported <n>s</i> | +VIP: (1) OK |

5.17.3 Defined values :

<n>

1 : Restore all voice parameters

Other values are not supported.

6 Network service commands

6.1 Signal Quality +CSQ

6.1.1 Description :

This command is used to ascertain the *received signal strength indication* (<rss>) and the *channel bit error rate* (<ber>) with or without a SIM card inserted.

6.1.2 Syntax :

Command syntax : AT+CSQ

| Command | Possible responses |
|---------|---|
| AT+CSQ | +CSQ: <rss>,<ber> OK <i>Note : <rss> and <ber> as defined below</i> |

6.1.3 Defined values :

<rss> :

0: -113 dBm or less

1: -111 dBm

2 to 30: -109 to -53 dBm

31: -51dBm or greater

99: not known or not detectable

<ber> : 0...7: as RXQUAL values in the table GSM 05.08

99: not known or not detectable

6.2 Operator selection +COPS

6.2.1 Description :

There are three possible ways of selecting an operator (PLMN):

1) The product is in **manual** mode. It then tries to find the operator specified by the application and if found, tries to register.

2) The product is in **automatic** mode. It then tries to find the home operator and if found, tries to register. If not found, the product automatically searches for another network.

3) The product enters into **manual/automatic** mode, and then tries to find an operator as specified by the application (as in manual mode). If this attempt fails it enters **automatic** mode. If this is successful, the operator specified by the application is selected. The mobile equipment then enters into **automatic** mode.

Note:

The read command returns the current mode and the currently selected operator. In manual mode, this PLMN may not be the one set by the application (as it is in the search phase).

These commands are not allowed during one communication.

6.2.2 Syntax :

To force an attempt to select and register on a network, the application must send the following command:

Command syntax: AT+COPS=<mode>, [<format> [, <oper>]]

Possible responses for AT+COPS=<mode>:

OK (Network is selected with full service)
+CME ERROR: 30 (No network service),
+CME ERROR: 32 (Network not allowed – emergency calls only)
+CME ERROR: 3 (not allowed during one Communication)
+CME ERROR: 4 (Incorrect parameters)
+CME ERROR: 527 (Please wait, and retry your selection later)
+CME ERROR: 528 (Location update failure – emergency calls only)
+CME ERROR: 529 (Selection failure – emergency calls only)

Response syntax for AT+COPS?:

+COPS: <mode> [, <format>, <oper>]

Response syntax for AT+COPS=?:

+COPS: [list of supported (<stat>, long alphanumeric <oper>, short alphanumeric <oper>s, numeric <oper>) s]

If an incoming call occurs during a PLMN list request, the operation is aborted (+CME ERROR: 520) and the unsolicited RING appears

| Command | Possible responses |
|--|---|
| AT+COPS? <i>Note : Ask for current PLMN</i> | +COPS: 0,2,20801 OK <i>Note : Home PLMN is France Telecom Orange</i> |
| AT+COPS=? <i>Note : Ask for PLMN list</i> | +COPS: (2,"F Itinérís","Itline","20801"), (3,"F SFR","SFR","20810") OK <i>Note : Home PLMN is France Telecom SFR network has been detected</i> |
| AT+COPS=1,2,20810 <i>Note : Ask for registration on SFR network</i> | +CME ERROR: 32 <i>Note : Network not allowed – emergency calls only</i> |
| AT+COPS=1,1,23433 <i>Note : Ask for registration on UK Orange network</i> | +CME ERROR: 529 <i>Note : Selection failed – emergency calls only</i> |
| AT+COPS=0 <i>Note : Ask for registration on home network</i> | OK <i>Note : Succeeded</i> |
| AT+COPS=3,0 <i>Note : Set <format> to long alphanumeric</i> | OK |
| AT+COPS? <i>Note : Ask for current PLMN</i> | +COPS: 0,0,"Orange F" OK <i>Note : Home PLMN is France Telecom Orange</i> |
| AT+COPS=2 <i>Note : Ask for deregistration from network</i> | OK <i>Note : Succeeded</i> |
| AT+COPS? <i>Note : Ask for current PLMN</i> | +COPS: 2 <i>Note : ME is unregistered until <mode>=0 or 1 is selected</i> |

6.2.3 Defined values :

The parameters values are the following ones:

<mode>

0: automatic (**default** value)

1: manual

2: deregistration ; ME will be unregistered until <mode>=0 or 1 is selected.

3: set only <format> (for read command AT+COPS?)

4: manual / automatic (<oper> shall be present), if manual selection fails, automatic mode is entered.

<format>: format of <oper> field

<format>

0: long alphanumeric format <oper>

1: short alphanumeric format <oper>

2: numeric <oper> (**default** value)

<stat>: status of <oper>

- <stat>
- 0: unknown
- 1: available
- 2: current
- 3: forbidden

<oper>: operator identifier (MCC/MNC in numeric format only for operator selection)

The long alphanumeric format can be up to 16 characters long (see appendix 19.12 for operator names description, field is "Name")

The short alphanumeric format can be up to 8 characters long.

6.3 Network registration +CREG

6.3.1 Description

This command is used by the application to ascertain the registration status of the product.

6.3.2 Syntax :

Command syntax : AT+CREG= <mode>

Response syntax : +CREG : <mode>, <stat> [,<lac>,<ci>] for AT+CREG? Command only

| Command | Possible responses |
|---|---|
| AT+CREG? | +CREG: <mode>,<stat> OK <i>Note : As defined here-above</i> |
| AT+CREG=0 <i>Note : Disable network registration unsolicited result code</i> | OK <i>Note : Command valid</i> |
| AT+CREG=1 <i>Note : Enable network registration unsolicited result code</i> | OK <i>Note : Command valid</i> |
| AT+CREG=2 <i>Note : Enable network registration and location information unsolicited result code</i> | OK <i>Note : Command valid</i> |
| AT+CREG=? | +CREG: (0-2) <i>Note : 0,1,2 <mode> values are supported</i> |

6.3.3 Defined values :

<mode>

- 0: Disable network registration unsolicited result code (**default**)
- 1: Enable network registration code result code +CREG : <stat>
- 2: Enable network registration and location information unsolicited result code +CREG: <stat>,<lac>,<ci> if there is a change of network cell.

<stat>

- 0: not registered, ME is not currently searching for a new operator.
- 1: registered, home network.
- 2: not registered, ME currently searching for a new operator to register to.
- 3: registration denied.
- 4: unknown.
- 5: registered, roaming.

<lac>: string type; two byte location area code in hexadecimal format (e.g. "00C3" equals 195 in decimal).

<ci>: string type; two byte cell ID in hexadecimal format.

6.4 Read operator name +WOPN

6.4.1 Description :

This **specific** command returns the operator name in alphanumeric format, the numeric format being given.

With E-ONS feature, lac is an optional parameter to read names from OPL/PNN sim files. If it is not entered, name will be given with current lac. Note that in limited service, current lac is set to 0.

6.4.2 Syntax :

Command syntax: AT+WOPN=<format>,<NumOper>[,<lac>]

Response syntax: +WOPN: <format>,<AlphaOper>

| Command | Possible responses |
|---|---|
| AT+WOPN=? <i>Note : Test command</i> | OK |
| AT+WOPN=0,20801 <i>Note : Give an operator in numeric format</i> | +WOPN : 0,"Orange F" OK <i>Note : Alphanumeric answer</i> |
| AT+WOPN=0,99999 <i>Note : Give a wrong operator</i> | +CME ERROR: 22 <i>Note : Not found</i> |
| AT+WOPN=0,20801,36 <i>Note : Give an operator in numeric format for lac 36</i> | +WOPN : 0,"Orange F" OK <i>Note : Alphanumeric answer</i> |

6.4.3 Defined values :

<format> is the required format. Only long (0) and short (1) alphanumeric formats are supported.

<NumOper> is the operator in numeric format.

<AlphaOper> is the operator in long or short alphanumeric format (see appendix 19.12 for operator names description)

<lac> is the two bytes Location Area Code to be used to get the PLMN name. If it is not entered, Current lac will be used (0 if limited service).

6.5 Selection of Preferred PLMN list +CPLS

6.5.1 Description :

This command is used to select one PLMN selector with access technology list in the SIM card that is used by AT+CPL command.

6.5.2 Syntax :

Command syntax: AT+CPLS= <List>

| Command | Possible responses |
|--|---|
| AT+CPLS? | +CPLS: 1 OK <i>Note : EF_OPLMNwAct is selected</i> |
| <i>Note : Ask for selection of the SIM file</i> AT+CPLS=0 | <i>Note : if EF_PLMNwAct is not present, EF_PLMNsel will be selected</i> |
| <i>Note : selection of EF_PLMNwAct</i> AT+CPLS=1 | +CME ERROR: 3 <i>Note : EF_OPLMNwAct is not present</i> |
| <i>Note : selection of EF_OPLMNwAct</i> AT+CPLS=? | +CPLS: (0,1,2) OK <i>Note : The 3 files with Acces technology are present and can be selected</i> |
| <i>Note : Get possible values</i> AT+CPLS=? | +CPLS: (0) OK <i>Note : Only EF_PLMNwAct or EF_PLMNsel can be selected</i> |
| <i>Note : Get possible values</i> | |

6.5.3 Defined values :

<List>:

0: User controlled PLMN selector with access technology EF_PLMNwAct

Note: if this file is not found EF_PLMNsel will be selected

1: Operator controlled PLMN selector with access technology EF_OPLMNwAct

2: Home PLMN selector with access technology EF_HPLMNwAct

6.6 Preferred operator list +CPOL

6.6.1 Description :

This command is used to edit (or update) the SIM preferred list of networks. This list is read in the SIM file selected by the command AT+CPLS.

6.6.2 Syntax :

Command syntax : AT+CPOL=[<index>] [,<format>[,<oper>[,<GSM_AcT>,<GSMcomp_Act>,<Utran_Act>]]]

The different possibilities are:

- AT+CPOL = <index> to delete an entry.
- AT+CPOL = , <format> to set the format used by the read command (AT+CPOL?).
- AT+CPOL = , <format> , <oper> to put <oper> in the next free location.
- AT+CPOL = <index> , <format> , <oper> to write <oper> in the <format> at the <index>.
- AT+CPOL = <index>,<format>,<oper>,<GSM_AcT>,<GSMcp_Act>,<Utran_Act> to write <oper> in the <format> at the <index> precisig the acces technology (in the case of EF_PLMNwact, EF_HPLMNwact or EF_OPLMNwact is present).

Note: per default if Acces technology parameters are not given, the GSM access technology will be choosen.

The supported format are those of the +COPS command.

The length of this list is limited to 85 entries for *EF_PLMNsel*, and 51 for *EF_PLMNwAct*, *EF_OPLMNwAct*, *EF_HPLMNwAct*.

| Command | Possible responses |
|--|---|
| AT+CPOL? <i>Note : Ask for preferred list of networks With only EF_PLMNsel present</i> | +CPOL:1,2,26201 +CPOL: 6,2,20810 OK <i>Note : Preferred list of networks in numeric format (read in EF_PLMNsel)</i> |
| AT+CPOL? <i>Note : Ask for preferred list of networks With EF_PLMNwAct selected and present</i> | +CPOL:1,2,26201,1,0,0 +CPOL: 6,2,20810,1,0,0 OK <i>Note : Preferred list of networks in numeric format (read in EF_PLMNwAct) GSM acces technology selected GSM compact acces technology not selected Utran acces technology not selected</i> |
| AT+CPOL=,0 <i>Note : Select long alphanumeric format</i> | OK |

| | |
|---|--|
| AT+CPOL? <i>Note : Ask for preferred list of networks With only EF_PLMNsel present</i> | +CPOL: 1,0,"D1-TELEKOM" +CPOL: 6,0,"F SFR" OK <i>Note : Preferred list of networks in long alphanumeric format</i> |
| AT+CPOL=7,2,20801 <i>Note : Add a network to the list</i> | OK |
| AT+CPOL? <i>Note : Ask for preferred list of networks With only EF_PLMNsel present</i> | +CPOL: 1,0,"D1-TELEKOM" +CPOL: 6,0,"F SFR" +CPOL: 7,0,"Orange F" OK <i>Note : Preferred list of networks in long alphanumeric format</i> |
| AT+CPOL=7 <i>Note : Delete 7th location</i> | OK |
| AT+CPOL? <i>Note : Ask for preferred list of networks With only EF_PLMNsel present</i> | +CPOL: 1,0,"D1-TELEKOM" +CPOL: 6,0,"F SFR" OK <i>Note : Preferred list of networks in long alphanumeric format</i> |
| AT+CPOL=8,2,77777 <i>Note : Add a new network to the list With only EF_PLMNsel present</i> | OK |
| AT+CPOL=8,2,77777,0,0,1 <i>Note : Add a new network to the list With EF_PLMNwact present</i> | OK <i>Note: Acces technology UTRAN is selected</i> |
| AT+CPOL=8,2,77777 <i>Note : Add a new network to the list With EF_PLMNwact present</i> | OK <i>Note: Per default Acces technology GSM is selected</i> |
| AT+CPOL? <i>Note : Ask for preferred list of networks With only EF_PLMNsel present</i> | +CPOL: 1,0,"D1-TELEKOM" +CPOL: 6,0,"F SFR" +CPOL: 8,2,77777" OK <i>Note : Preferred list of networks in long alphanumeric format but 8th entry is unknown so the product edits it in the numeric format</i> |
| AT+CPOL=9,0,"Orange F" <i>Note : Add a new network to the list (text format)</i> | |
| AT+CPOL? <i>Note : Ask for preferred list of networks With only EF_PLMNsel present</i> | +CPOL: 1,0,"D1-TELEKOM" +CPOL: 6,0,"F SFR" +CPOL: 8,2,77777" +CPOL: 9,0,"Orange F" OK <i>Note : Preferred list of networks in long alphanumeric format</i> |
| AT+CPOL=? | +CPOL: (1-16),(0-2) OK <i>Note : The EF can accept 16 records, and supported format are 0,1 or 2.</i> |

6.6.3 Defined values :

<index> : position of the operator record in the sim preferred operator list. Do AT+CPOI=? to get the maximum index of the selected EF.

<format> :

- 0 long alphanumeric format for <oper>
- 1 short alphanumeric format for <oper>
- 2 numeric format for <oper>

<oper> : characterstring or integer (see <format>) indicating operator identifier.

<GSM_Act> : GSM access technology

<GSMcomp_Act> : GSM compact access technology

<Utran_Act> : UTRA access technology

0 access technology not selected

1 access technology selected

6.7 Read operator name +COPN

6.7.1 Description :

This command return the list of all operator names (in numeric and alphanumeric format) stored in the module.

6.7.2 Syntax :

Command syntax : AT+COPN

Command response : +COPN: <NumOper>,<AlphaOper>

| Command | Possible responses |
|---|--|
| AT+COPN <i>Note : Ask for preferred list of networks</i> | +COPN: 23201,"A1" +COPN: 23203,"A max." +COPN: 23207,"A tele.ring" +COPN: 23205,"one" ... OK +CME ERROR: <err> |
| AT+COPN=? | OK |

6.7.3 Defined values :

<NumOper> is the operator in numeric format.

<AlphaOper> is the operator in long alphanumeric format (see appendix 19.12 for operator names description)

7 Security commands

7.1 Enter PIN +CPIN

7.1.1 Description :

This command is used to enter the ME passwords (CHV1 / CHV2 / PUK1 / PUK2, etc.), that are required before any ME functionality can be used.

CHV1/CHV2 is between **4** and **8** digits long, **PUK1/PUK2** is **only 8 digits** long.

If the user application tries to make an outgoing call before the SIM PIN code (CHV1) has been confirmed, then the product will refuse the "ATD" command with a "+CME ERROR: 11" (SIM PIN required).

The application is responsible for checking the PIN after each reset or power on - if the PIN was enabled.

7.1.2 Syntax :

Command syntax: AT+CPIN=<pin>

| Command | Possible responses |
|---|---|
| AT+CPIN=1234 <i>Note : Enter PIN</i> | OK <i>Note : PIN code is correct</i> |
| AT+CPIN=5678 <i>Note : Enter PIN</i> | +CME ERROR : 3 <i>Note : Operation not allowed, PIN previously entered</i> |

After 3 unsuccessful attempts to enter the PIN (Personal Identification Number), the PUK (Personal Unblocking Key) will be required. PUK validation forces the user to enter a new PIN code as a second parameter and this will be the new PIN code if PUK validation succeeds. CHV1 is then **enabled** if PUK1 is correct. The application therefore uses this command:

AT+CPIN=<Puk>,<NewPin>

| Command | Possible responses |
|--|---|
| AT+CPIN=00000000,1234 <i>Note : Enter PUK and new PIN</i> | +CME ERROR: 16 <i>Note : Incorrect PUK</i> |
| AT+CPIN=12345678,1234 <i>Note : Enter PUK and new PIN, 2nd attempt</i> | OK <i>Note : PUK correct, new PIN stored</i> |

To ascertain which code must be entered (or not), the following query command can be used:

AT+CPIN?

The possible responses are :

| | |
|-------------------|--|
| +CPIN: READY | <i>ME is not pending for any password</i> |
| +CPIN: SIM PIN | <i>CHV1 is required</i> |
| +CPIN: SIM PUK | <i>PUK1 is required</i> |
| +CPIN: SIM PIN2 | <i>CHV2 is required</i> |
| +CPIN: SIM PUK2 | <i>PUK2 is required</i> |
| +CPIN: PH-SIM PIN | <i>SIM lock (phone-to-SIM) is required</i> |
| +CPIN: PH-NET PIN | <i>Network personalisation is required</i> |
| +CME ERROR: <err> | <i>SIM failure (13) absent (10) etc...</i> |

Please note that in this case the mobile equipment does not end its response with the OK string.

The response +CME ERROR : 13 (SIM failure) is returned after 10 unsuccessful PUK attempts. The SIM card is then out of order and must be replaced by a new one.

Example: 3 failed PIN validations + 1 successful PUK validation

| | |
|--------------------------------|--|
| AT+CPIN? +CPIN: SIM PIN | <i>Read the PIN status The product requires SIM PIN</i> |
| AT+CPIN=1235 +CME ERROR: 16 | <i>First attempt to enter a SIM PIN Wrong PIN</i> |
| AT+CPIN=1236 +CME ERROR: 16 | <i>Second attempt Wrong PIN</i> |
| AT+CPIN=1237 +CME ERROR: 16 | <i>Third attempt Wrong PIN</i> |
| AT+CPIN? +CPIN: SIM PUK | <i>Read PIN state The product requires PUK</i> |
| AT+CPIN=99999999,5678 OK | <i>The PUK is entered, the new PIN shall be 5678 PUK validation is OK. New Pin is 5678</i> |
| AT+CPIN? +CPIN: READY | <i>Read PIN state The product is ready</i> |

If the user tries to do something which requires PIN2 (CHV2), the product will refuse the action with a "+CME ERROR: 17" (SIM PIN2 required). The product then waits for SIM PIN2 to be given.

Of course, if SIM PIN2 is blocked, SIM PUK2 is required instead of SIM PIN2. For example, the product needs PIN2 to write in the fixed dialling phonebook (FDN) , so if SIM PIN2 authentication has not been performed during the current session, SIM PIN2 is required

| Command | Possible responses |
|--|--|
| AT+CPBS="FD" <i>Note : Choose FDN</i> | OK |
| AT+CPBW=5,"01290917",129,"Jacky" <i>Note : Write in FDN at location 5</i> | +CME ERROR: 17 <i>Note : SIM PIN2 is required</i> |
| AT+CPIN? | SIM PIN2 <i>Note : SIM PIN2 is required</i> |
| AT+CPIN=5678 <i>Note : Enter SIM PIN2</i> | OK |
| AT+CPBW=2,"01290917",129,"Jacky" <i>Note : Write in FDN at location 5</i> | OK <i>Note : Now writing in FDN is allowed</i> |

Please note that the product only requests PIN2 or PUK2 once. Therefore, if they are not entered properly, the next +CPIN? command will return "+CPIN: READY".

7.1.3 Defined values :

<pin>

<puk>

See above conditions of use.

7.2 Enter PIN2 +CPIN2

7.2.1 Description :

This **specific** command is used to validate the PIN2 code (CHV2), or to validate the PUK2 code (UNBLOCK CHV2) and to define a new PIN2 code.

Of course, the +CPIN command allows PIN2 or PUK2 codes to be validated, but **only** when the **last command executed resulted in PIN2 authentication failure**.

PIN2 length is between 4 and 8 digits, PUK2 length is 8 digits only.

7.2.2 Syntax :

Command syntax : AT+CPIN2=<pin2>

| Command | Possible responses |
|---|---|
| AT+CPIN2=1234 <i>Note : Enter PIN2</i> | OK <i>Note : PIN2 code is correct</i> |
| AT+CPIN2=5678 <i>Note : Enter PIN2</i> | +CME ERROR: 3 <i>Note : Operation not allowed, PIN2 previously entered</i> |

After 3 unsuccessful attempts, PUK2 will then be required. PUK2 validation forces the user to enter a new PIN2 code as a second parameter and this will be the new PIN2 code if PUK1 validation succeeds. The application therefore uses this command:

AT+CPIN2=<puk2>,<NewPin2>

| Command | Possible responses |
|---|---|
| AT+CPIN2=00000000,1234 <i>Note : Enter PUK2 and new PIN2</i> | +CME ERROR: 16 <i>Note : Incorrect Password (PUK2)</i> |
| AT+CPIN2=12345678,1234 <i>Note : Enter PUK2 and new PIN2, 2nd attempt</i> | OK <i>Note : PUK2 correct, new PIN2 stored</i> |

To ascertain which code must be entered (or not), the following query command can be used:

AT+CPIN2?

The possible responses are

| | |
|-------------------|---------------------------|
| +CPIN2: READY | <i>No PIN2 is needed</i> |
| +CPIN2: SIM PIN2 | <i>PIN2 is required</i> |
| +CPIN2: SIM PUK2 | <i>PUK2 is required</i> |
| +CME ERROR: <err> | <i>Absent (10) etc...</i> |

7.2.3 Defined values :

<pin2>

<puk2>

<Newpin2>

Note : PIN2 length is between 4 and 8 digits, PUK2 length is 8 digits only.

7.3 PIN remaining attempt number +CPINC

7.3.1 Description :

This **specific** command is used to get the number of valid attempts for PIN1 (CHV1), PIN2 (CHV2), PUK1 (UNBLOCK CHV1) and PUK2 (UNBLOCK CHV2) identifiers.

7.3.2 Syntax :

Command syntax : AT+CPINC

Response syntax : +CPINC : <n1>,<n2>,<k1>,<k2>

| Command | Possible responses |
|---|--|
| AT+CPINC <i>Note : Get the number of attempts left</i> | +CPINC : 2,3,10,10 OK <i>Note : First CHV1 attempt was a failure</i> |
| AT+CPINC? <i>Note : Get current values</i> | +CPINC : 2,3,10,10 OK <i>Note : First attempt was a failure</i> |
| AT+CPINC=? <i>Note : Get possible values</i> | OK |

7.3.3 Defined values

<n1>, <n2> are the attempts left for PIN1, PIN2 (0 = blocked, 3 max)
<k1>, <k2> are the attempts left for PUK1, PUK2 (0 = blocked, 10 max)
For this to work, the card should be present at the time of initialization,
otherwise an error will be sent (+CME ERROR : 10).

7.4 Facility lock +CLCK

7.4.1 Description :

This command is used by the application to lock, unlock or interrogate an ME or network facility <fac>.

Nota: Test SIM cards (with MCC=001 & MNC=01) doesn't check "PS", "PN", "PU", "PP" and "PC" locks.

7.4.2 Syntax :

Command syntax: AT+CLCK= <fac>,<mode>[,<passwd>[,<class>]]

Response syntax: +CLCK: <status> [,<class1>]<CR><LF>+CLCK:
<status>,<class2> [...]]

| Command | Possible responses |
|---|---|
| AT+CLCK="SC",1,1234 <i>Note : Enable PIN</i> | OK <i>Note : PIN was correct</i> |
| AT+CLCK? <i>Note : Read PIN status</i> | +CLCK:("PS",0),("SC",0),("FD",0),("PN",0),("PU",0),("PP",0),("PC",0) OK <i>Note : PIN is enabled, no SIM lock, no network lock, no information on Call barring</i> (no longer supported in GSM 07.07) |
| AT+CLCK="SC",0,5555 <i>Note : Disable PIN</i> | +CME ERROR: 16 <i>Note: PIN was wrong</i> |
| AT+CPIN=1234 <i>Note : Enter PIN</i> | OK <i>Note : PIN was good</i> |
| AT+CLCK=? <i>Note : Request supported facilities</i> | +CLCK: ("PS","SC","AO","OI","OX","AI","IR","AB","AC","FD","PN","PU","PP","PN") OK <i>Note : Supported facilities</i> |
| AT+CLCK="PN",1,12345678 <i>Note : Activate network lock</i> | OK <i>Network lock activated</i> |
| AR+CLCK="AO",1,1234,2 <i>Note : Activate all outgoing calls barring for data calls</i> | OK <i>Note : Call barring is activate</i> |
| AT+CLCK="AO",2 <i>Note : Query BAOC status</i> | +CLCK : 1,2 OK <i>Note : BAOC activate for data calls only</i> |
| AT+CLCK="SC",0,0000 <i>Note : Disable PIN</i> | +CME ERROR: 521 <i>Note : PIN deactivation is forbidden with this SIM card</i> |

7.4.3 Defined values :

<fac> : supported facilities

- "PS" : SIM lock facility with a 8 digits password.
- "SC" : PIN enabled (<mode> = 1) / disabled (<mode> = 0)
- "AO" : BAO (Barr All Outgoing Calls)
- "OI" : BOIC (Barr Outgoing International Calls)
- "OX" : BOIC-exHC (Barr Outgoing. International Calls except to Home Country)
- "AI" : BAIC (Barr All Incoming Calls)
- "IR" : BIC-Roam (Barr Inc. When Roaming outside Home Country)
- "AB" : All Barring services
- "AG" : All outGoing barring services
- "AC" : All inComing barring services
- "PN" : Network lock with a 8 digits password (NCK).
- "PU" : Network Subset lock with a 8 digits password (NSCK).
- "PP" : Service Provider lock with a 8 digits password (SPCK).
- "PC" : Corporate lock with a 8 digits password (CCK).
- "FD" : SIM Fixed Dialing Numbers (FDN) memory feature (PIN2 is required as <password>)

<mode>

0 : unlock the facility

1 : lock the facility

2 : query status

<class> : A facility status can be changed for only one class, or for all classes (7 or omitted).

<class>

1 : Voice (telephony)

2 : Data (apply to all bearer services)

4 : Fax (facsimile services)

8 : Short Message service

7 : Equal to all classes (Default value)

Any attempt to combine different classes will result in activation / deactivation / interrogation of all classes.

Password maximum length is given with the AT+CPWD=? Command.

Note: It will not possible to lock the FDN phonebook if this one is not loaded.

7.5 Change password +CPWD

7.5.1 Description :

This command is used by the application to change a password (PIN, call barring, NCK, etc.). The facility values (<fac>) are the same as for the +CLCK command with a "P2" facility to manage SIM PIN2.

For the network lock ("PN"), unlocking is forbidden after 10 failed attempts to disable (unlock) the network lock with an incorrect password.

7.5.2 Syntax :

Command syntax : AT+CPWD= <fac>, <oldpwd>, <newpwd>

| Command | Possible responses |
|--|--|
| AT+CPWD=? <i>Note : Possible values</i> | +CPWD: ("PS",8),("SC",8),("AO",4),("OI",4),("OX",4),("AI",4),("IR",4),("AB",4),("AG",4),("AC",4),("P2",8),("FD",8),("PN",8),("PU",8),("PP",8),("PC",8) OK <i>Note : CHV1/CHV2 must be on 8 digits maximum (4mini) For call barring, on 4 digits maximum</i> |
| AT+CPWD="SC",1234,5555 <i>Note : Change PIN</i> | OK <i>Note : PIN was correct</i> |
| AT+CPWD="SC",1234,5555 <i>Note : Change PIN</i> | +CME ERROR: 16 <i>Note: PIN was wrong</i> |
| AT+CPIN=5555 <i>Note : Enter PIN</i> | OK <i>Note : PIN was correct</i> |
| AT+CPWD="PN",12345678,00000000 <i>Note : Change NCK</i> | OK <i>Note : NCK changed for net lock</i> |

7.5.3 Defined values :

<fac> : facility

- "PS"
- "SC"
- "AO"
- "OI"
- "OX"
- "AI"
- "IR"
- "AB"
- "AG"
- "AC"
- "P2"
- "FD"
- "PN"
- "PU"
- "PP"
- "PC"

<oldpwd>, <newpwd>

On 4 or up to 8 or 16 digits accprding to the facility.

8 Phonebook commands

8.1 Select phonebook memory storage +CPBS

8.1.1 Description :

This command selects phonebook memory storage.

8.1.2 Syntax :

Command syntax : AT+CPBS=<pb>

| Command | Possible responses |
|--|---|
| AT+CPBS="SM" <i>Note : Select ADN phonebook</i> | OK <i>Note : ADN phonebook is selected</i> |
| AT+CPBS=? <i>Note : Possible values</i> | +CPBS: ("SM","LD","MC","ON","ME","RC","MT","SN") OK <i>Note : only "EN" phonebook is not supported with this SIM card.</i> |
| AT+CPBS? <i>Note : Status</i> | +CPBS : "SM",10,20 OK <i>Note: ADN phonebook selected, 10 locations used, 20 locations available</i> |

The ADN phonebook could not be selected as FDN is active.

8.1.3 Defined values :

<pb> : phonebook

- "SM" : ADN (SIM phonebook)
- "FD" : FDN (SIM Fix Dialling, restricted phonebook)
- "ON" : MSISDN (SIM own numbers)
- "EN" : EN (SIM emergency number)
- "LD" : LND (combined ME and SIM last dialling phonebook)
- "MC" : MSD (ME missed calls list)
- "ME" : ME (ME phonebook)
- "MT" : MT (combined ME and SIM phonebook)
- "RC" : LIC (ME received calls list)
- "SN" :SDN (Services dialling phonebook)

8.2 Read phonebook entries +CPBR

8.2.1 Description :

This command returns phonebook entries for a range of locations from the current phonebook memory storage selected with +CPBS.

Note :

for all phonebook read commands (+CPBR, +CPBF, +CPBN, +CPBP, +CNUM), the TON/NPI MSB of each number is set to 1 (ex : a TON/NPI stored as 17 is displayed as 145).

8.2.2 Syntax :

Command syntax : AT+CPBR=<first_entry>[,<last_entry>]

| Command | Possible responses |
|---|--|
| AT+CPBR=? <i>Note : Test command</i> | +CPBR: (1-50),20,10 OK <i>Note : 50 locations (from 1 to 50), max length for phone number is 20 digits, 10 characters max for the text</i> |
| AT+CPBR=12,14 <i>Note : Read entries from 12 to 14</i> | +CPBR : 12,"112",129,"Emergency" +CPBR : 13,"+331290909",145,"Fred" +CPBR : 14,"0146290808",129,"Zazi" OK <i>Note : Display locations 12,13,14 with location, number, type (TON/NPI), Text</i> |
| AT+CPBR=10 <i>Note : Read entry 10</i> | +CPBR :10,"0146290921",129,"Rob" OK <i>Note: Display location 10</i> |
| AT+CPBR=11 <i>Note : Read entry 11 (UCS2 format)</i> | +CPBR :11,"0146290921",129,"8000010002FFF" OK <i>Note: Display location 11</i> |
| AT+CPBR=52 <i>Note : Read entry 52 (wrong)</i> | +CME ERROR: 21 <i>Note : Invalid index</i> |

8.2.3 Defined values :

<first_entry>, <last_entry>

location (or range of locations) where to read phonebook entry.

8.3 Find phonebook entries +CPBF

8.3.1 Description :

This command returns phonebook entries with alphanumeric fields starting with a given string. The AT+CPBF= "" command can be used to display all phonebook entries sorted in alphabetical order.

This command is not allowed for "LD", "RC", "MC", "SN" phonebooks and for the "EN" phonebook, which does not contain alphanumeric fields. It is possible to use this command with UCS2 strings. If a wrong UCS2 format is entered, the string is considered as an ASCII string.

8.3.2 Syntax :

Command syntax : AT+CPBF=<string>

| Command | Possible responses |
|--|---|
| AT+CPBF=? <i>Note : Test command</i> | +CPBF: 20,10 OK <i>Note : Max length for phone number is 20 digits, 10 characters for the text</i> |
| AT+CPBF="E" <i>Note : Read entries with "E"</i> | +CPBF : 12,"112",129,"Emergency" +CPBF : 15,"+331290101",145,"Eric" OK <i>Note : Display locations with text field starting with "E"</i> |
| AT+CPBF="H" <i>Note : Read entries with "H"</i> | +CME ERROR: 22 <i>Note: Entry not found</i> |
| AT+CPBF="800001FFFF" <i>Note : Read entries starting with 0001 UCS2 character</i> | +CPBF : 11, "0146290921",129,"8000010002FFFF" OK <i>Note : Display locations with text field starting with 0001 UCS2 character</i> |
| AT+CPBF="8045C" <i>Note : Read entries with "8045C" (ASCII format)</i> | +CME ERROR: 22 <i>Note: Entry not found. The string has a wrong UCS2 format, it is therefore considered as an ASCII string</i> |

8.3.3 Defined values :

<string>

Searched starting string (depends on the format of data stored in the phonebooks)

8.4 Write phonebook entry +CPBW

8.4.1 Description :

This command writes a phonebook entry in location number <index> in the current phonebook memory storage.

"RC" and "MC" phonebooks could be only erased by +CPBW. Adding field and/or modifying field is not allowed for these phonebooks.

This command is not allowed for "EN", "LD", "MC", "RC", "MT", "SN" phonebooks, which can not be written.

8.4.2 Syntax :

Command syntax : AT+CPBW=<index>[,<number>[,<type>[,<text>]]]

| Command | Possible responses |
|--|--|
| AT+CPBW=? <i>Note : Test command</i> | +CPBW: (1-50),20,(129,145),10 OK <i>Note : 50 locations, phone number = 20 digits max, TON/NPI of 129 or 145, text length = 10</i> |
| AT+CPBW= 3 <i>Note : Erase location 3</i> | OK <i>Note: Location 3 erased</i> |
| AT+CPBW=5,"112",129,"SOS" <i>Note : Write at location 5</i> | OK <i>Note: Location 5 written</i> |
| AT+CPBW=5,"01290917",129,"Jacky" <i>Note : Overwrite location 5</i> | OK <i>Note : Location 5 overwritten</i> |
| AT+CPBW=6,"01292349",129,"8000410042" <i>Note : write location 6 (UCS2 format for the <text> field)</i> | OK <i>Note : Location 6 is written</i> |
| AT+CPBW=,"+33145221100",145,"SOS" <i>Note : Write at the first location available</i> | OK <i>Note : First location available is written</i> |
| AT+CPBW=,"0345221100",129,"SOS" <i>Note : Write at the first location available</i> | +CME ERROR: 20 <i>Note : Phonebook full</i> |
| AT+CPBW=57,"112",129,"WM" <i>Note : Write at location 57 (wrong)</i> | +CME ERROR: 21 <i>Note : Invalid index</i> |
| AT+CPBW=7,"012345678901234567890",129,"WAVE" <i>Note : Write at location 7 a phone number exceeding the limit (21 digits)</i> | +CME ERROR: 26 <i>Note : Phone number too long</i> |
| AT+CPBW=7,"0122334455",129,"WAVECOM TEL" <i>Note : Write at location 7 along text (11 characters)</i> | +CME ERROR: 24 <i>Note : Text too long</i> |
| AT+CPBW=8,"01292349",129,"80xyz" <i>Note : write location</i> | OK <i>Note : Location 8 is written. The string has a wrong UCS2 format, it is therefore considered as an ASCII string</i> |

When the fixed dialling phonebook (FDN) is locked, this command is not allowed. Moreover, **when the FDN is unlocked, PIN2 is required to write** in the FDN phonebook.

But if PIN2 authentication has been performed during the current session, the +CPBW command with FDN is allowed.

| Command | Possible responses |
|--|--|
| AT+CPBS="FD" <i>Note : Choose FDN</i> | OK |
| AT+CPBW=5,"01290917",129,"Jacky" <i>Note : Write in FDN at location 5</i> | +CME ERROR: 17 <i>Note : SIM PIN2 is required</i> |
| AT+CPIN? | SIM PIN2 <i>Note: SIM PIN2 is required</i> |
| AT+CPIN=5678 <i>Note : Enter SIM PIN2</i> | OK |
| AT+CPBW=5,"01290917",129,"Jacky" <i>Note : Write in FDN at location 5</i> | OK <i>Note : Writing in FDN is now allowed</i> |

8.4.3 Defines values :

<index> integer type value depending on the capacity of the phonebook memory.

<number> phone number in ASCII format.

<type> TON/NPI (Type of address byte in integer format).

Note:

for the <type> parameter, all values are allowed from 0 to 255, but the MSB will be set to 1 in all cases (ex : a <type> value of 17 will be written as 145).

<text> string type.

Note 1:

For the <text> parameter all strings starting with "80" , "81" or "81" are considered in UCS2 format. See the APPENDIX E (Coding of Alpha fields in the SIM for UCS2).

Note 2:

The +CSCS (Select Character set) command does not affect the format for phonebook entries.

8.5 Phonebook phone search +CPBP

8.5.1 Description :

This **specific** command orders the product to search the phonebook for an item with the same phone number as that defined in the parameter.

8.5.2 Syntax :

Command syntax : AT+CPBP=<PhoneNumber>

| Command | Possible responses |
|---|---|
| AT+CPBP="+331290101" <i>Note : Search entries corresponding to this phone number</i> | +CPBP : 15,"+331290101",145,"Eric" OK <i>Note : Display the entry corresponding to the specified phone number</i> |
| AT+CPBP="+331290101" <i>Note : Search entries corresponding to this phone number</i> | +CPBP : 15,"01290101",129,"Eric" OK <i>Note : Display the entry corresponding to the specified phone number</i> |
| AT+CPBP="01290202" <i>Note : Search entries corresponding to this phone number</i> | +CPBP : 15,"+331290202",145,"David" OK <i>Note : Display the entry corresponding to the specified phone number</i> |
| AT+CPBP="+331288575" <i>Note : Search entries corresponding to this phone number</i> | +CPBP : 15,"+331290101",145,"8045682344FFFF" " (UCS2 format) OK <i>Note : Display the entry corresponding to the specified phone number</i> |
| AT+CPBP="0129" <i>Note : Search entries corresponding to this phone number</i> | +CME ERROR: 22 <i>Note : Entry not found</i> |

8.5.3 Defined values :

<PhoneNumber>

coded according to GSM 07.07 or GSM 07.05.

8.6 Move action in phonebook +CPBN

8.6.1 Description

This specific command instructs the product to make a forward or backward move in the phonebook (in alphabetical order).

This command is not allowed for the "EN" phonebook - which does not contain alphanumeric fields.

8.6.2 Syntax :

Command syntax : AT+CPBN=<mode>

| Command | Possible responses |
|---|---|
| AT+CPBN=? <i>Note : Test command</i> | +CPBN: (0-5) OK <i>Note : Possible modes</i> |
| AT+CPBN=0 <i>Note : Read the first location</i> | +CPBN : 15,"+331290101",145,"Eric" OK <i>Note : Display the first location</i> |
| AT+CPBN=2 <i>Note : Read the next location</i> | +CPBN : 5,"+33147658987",145,"Frank" OK <i>Note : Display the second location</i> |
| AT+CPBN=2 <i>Note : Read the next location</i> | +CPBN : 6,"+331290302",145,"Marc" OK <i>Note : Display the third location</i> |
| AT+CPBN=3 <i>Note : Read the previous location</i> | +CPBN : 5,"+33147658987",145,"Frank" OK <i>Note : Display the second location</i> |
| AT+CPBN=1 <i>Note : Read the last location</i> | +CPBN : 6,"+331290302",145,"Marc" OK <i>Note : Display the last location</i> |
| AT+CPBN=2 <i>Note : Read the next location</i> | +CPBP : 15,"+331290101",145,"Eric" OK <i>Note : Display the first location</i> |

Using mode 4 and 5 with +CPBF command and CPBW :

| Command | Possible responses |
|--|--|
| AT+CPBF="Er" <i>Note : Find "Er" in phonebook</i> | +CPBF : 15,"+331290101",145,"Eric" OK <i>Note : Display the location</i> |
| AT+CPBN=2 <i>Note : Read the next location</i> | +CPBN : 5,"+33147658987",145,"Frank" OK <i>Note : Display the following location</i> |
| AT+CPBF="Er" <i>Note : Find "Er" in phonebook</i> | +CPBF : 15,"+331290101",145,"Eric" OK <i>Note : Display the location</i> |
| AT+CPBN=4 <i>Note : Get the last location read</i> | +CPBF : 15,"+331290101",145,"Eric" OK <i>Note : Display the last location read</i> |
| AT+CPBW="0146290800",129,"WM" <i>Note : Write an item at the first location available</i> | OK <i>Note : No information about this location</i> |
| AT+CPBN=4 <i>Note : Get the last location read</i> | +CPBF : 15,"+331290101",145,"Eric" OK <i>Note : Display the last location read</i> |
| | AT+CPBN=38,"0146290800,129,"WM" <i>Note : Display the last item written with its location</i> |
| AT+CPBN=4 <i>Note : Get the last item read</i> | AT+CPBN=38,"0146290800,129,"WM" <i>Note : Now the last item read is the last written item too</i> |
| AT+CPBF="800041FFFF" <i>Note : Find "800041" in phonebook</i> | +CPBF : 15,"+3312345",145,"8000414339FFFF" OK <i>Note : Display this location</i> |
| AT+CPBN=4 <i>Note : Get the last location read</i> | +CPBF : 15,"+3312345",145,"8000414339FFFF" OK <i>Note : Display the last location read</i> |

Please note that the AT+CPBN=5 command is useful after an AT+CPBW command used without a location.

8.6.3 Defined values :

<mode>

0: First item

1: Last item

2: Next valid item in alphabetical order

3: Previous valid item in alphabetical order

4: Last item read (usable only if a read operation has been performed on the current phonebook since the end of initialization (+WIND: 4))

5: Last item written (usable only if a write operation has been performed on the current phonebook since the end of initialization (+WIND: 4))

8.7 Subscriber number +CNUM

8.7.1 Description :

This command returns the subscriber MSISDN(s).

If the subscriber has different MSISDNs for different services, each MSISDN is returned in a separate line.

8.7.2 Syntax :

Command syntax: AT+CNUM

Response syntax: +CNUM : <alpha1>, <number1>, <type1>

<CR><LF> +CNUM : <alpha2>, <number2>, <type2>

| Command | Possible responses |
|--|---|
| AT+CNUM <i>Note : Get MSISDN(s)</i> | +CNUM : "Phone", "0612345678",129 +CNUM : "Fax", "0687654321",129 +CNUM : "80001002FFFF", "+0183773", 145 (UCS2 format) OK <i>Note : MSISDNs</i> |
| AT+CNUM=? | OK |

8.7.3 Defined values :

<alphax> optional alphanumeric string associated with <numberx>
 <numberx> string type phone number with format as specified by <typex>
 <typex> type of address byte in integer format

8.8 Avoid phonebook init +WAIP

8.8.1 Description :

This specific command allows the initialization of all phonebooks to be inhibited during subsequent boots.

8.8.2 Syntax :

Command syntax : AT+WAIP=<mode>

| Command | Possible responses |
|--|---|
| AT+WAIP? <i>Note : Current values ?</i> | +WAIP :0 OK <i>Note : Default value (init phonebooks)</i> |
| AT+WAIP=? <i>Note : Possible values ?</i> | +WAIP : (0,1) OK <i>Note : Disable / enable</i> |
| AT+WAIP =1 <i>Note : Inhibit initialization of phonebooks (next boot)</i> | OK <i>Note : no answer</i> |
| AT&W <i>Note : Save modifications in EEPROM</i> | |

Caution:

the given value should be stored in EEPROM. Therefore, the AT&W command must be used to save the new <mode> value.

Note:

No phonebook commands are allowed if +WAIP=1 (after boot).

If a phonebook command is entered, a "+CME ERROR: 3" is returned.

8.8.3 Defined values :

<mode>

0: Normal initialization (with phonebooks)

1: No phonebook initialization

8.9 Delete Calls Phonebook +WDCP

8.9.1 Description :

This specific command allows to delete the calls listed in some phonebooks.

8.9.2 Syntax :

Command syntax : AT+WDCP=<calls phonebook>

| Command | Possible responses |
|---|--|
| AT+WDCP? | OK |
| AT+WDCP=? <i>Note : Possible values ?</i> | +WDCP : ("LD","MC","RC") OK <i>Note : Identifiers of the phonebooks supporting a list of calls</i> |
| AT+WDCP="LD" <i>Note : Delete all the content of Last Dialing phonebook.</i> | OK <i>Note : Last Dialing phonebook is now empty.</i> |

8.9.3 Defined values :

<calls phonebook>

"LD": SIM (ME extended) Last dialing phonebook

"MC": ME missed calls list phonebook

"RC": ME received calls list phonebook

8.10 Set Voice Mail Number +CSVM

8.10.1 Description :

This commands allows to set/get and enable/disable the voice mail number in memory.

8.10.2 Syntax :

Command syntax : AT+CSVM=<mode>[,<number>[,<type>]]

| Command | Possible responses |
|---|--|
| AT+CSVM? <i>Note : Get mail number</i> | +CSVM: 1,"660",129 OK <i>Note : Voice mail number "660" is activated</i> |
| AT+CSVM=? <i>Note : Possible values ?</i> | +CSVM: (0-1),(129,145) OK <i>Note : activation/deactivation and format 129 & 145 are supported</i> |
| AT+CSVM=0,"888",129 <i>Note : Disable Voice Mail number and change value to "888".</i> | OK |

8.10.3 Defined values :

<mode>

0: Disable the voice mail number

1: Enable the voice mail number

<number>

Phone number in ASCII format.

<type>

TON/NPI (Type of address byte in integer format).

Note :

For the <type> parameter, all values are allowed from 0 to 255, but the MSB will be set to 1 in all cases (ex : a <type> value of 17 will be written as 145).

9 Short Messages commands

9.1 Parameters definition

| | |
|----------|---|
| <da> | Destination Address, coded like GSM 03.40 TP-DA |
| <dcs> | Data Coding Scheme, coded like in document [5]. |
| <dt> | Discharge Time in string format : "yy/MM/dd, hh :mm :ss±zz" (Year [00-99], Month [01-12], Day [01-31], Hour, Minute, Second and Time Zone [quarters of an hour]) |
| <fo> | First Byte, coded like SMS-SUBMIT first byte in document [4], default value is 17 for SMS-SUBMIT |
| <index> | Place of storage in memory. |
| <length> | Text mode (+CMGF=1): number of characters PDU mode (+CMGF=0): length of the TP data unit in bytes |
| <mem1> | Memory used to list, read and delete messages (+CMGL, +CMGR and +CMGD). |
| <mem2> | Memory used to write and send messages (+CMGW, +CMSS). |
| <mid> | CBM Message Identifier. |
| <mr> | Message Reference. |
| <oa> | Originator Address. |
| <pid> | Protocol Identifier. |
| <pdu> | For SMS : GSM 04.11 SC address followed by GSM 03.40 TPDU in hexadecimal format, coded as specified in doc [4] For CBS : GSM 03.41 TPDU in hexadecimal format |
| <ra> | Recipient Address. |
| <sca> | Service Center Address |
| <scts> | Service Center Time Stamp in string format : "yy/MM/dd, hh :mm :ss±zz" (Year/Month/Day, Hour:Min:Seconds±TimeZone) |
| <sn> | CBM Serial Number |
| <st> | Status of a SMS-STATUS-REPORT |
| <stat> | Status of message in memory. |
| <tooa> | Type-of-Address of <oa>. |
| <tora> | Type-of-Address of <ra>. |
| <tosca> | Type-of-Address of <sca>. |
| <total1> | Number of message locations in <mem1>. |
| <total2> | Number of messages locations in <mem2>. |
| <used1> | Total number of messages locations in <mem1>. |
| <used2> | Total number of messages locations in <mem2>. |
| <vp> | Validity Period of the short message, default value is 167 |

9.2 Select message service +CSMS

9.2.1 Description :

The supported services are originated (SMS-MO) and terminated short message (SMS-MT) + Cell Broadcast Message (SMS-CB) services.

9.2.2 Syntax :

Command syntax : AT+CSMS=<service>

| Command | Possible responses |
|---|--|
| AT+CSMS=0 <i>Note : SMS AT command Phase 2 version 4.7.0</i> | +CSMS: 1,1,1 OK <i>Note : SMS-MO, SMS-MT and SMS-CB supported</i> |
| AT+CSMS=1 <i>Note : SMS AT command Phase 2 +</i> | +CSMS: 1,1,1 <i>Note : SMS-MO, SMS-MT and SMS-CB supported</i> |
| AT+CSMS? <i>Note : Current values ?</i> | +CSMS: 0,1,1,1 OK <i>Note : GSM 03.40 and 03.41 (SMS AT command Phase 2 version 4.7.0)</i> |
| AT+CSMS=? <i>Note : Possible services</i> | +CSMS: (0,1) OK |

9.2.3 Defined values :

<service>

0: SMS AT commands are compatible with GSM 07.05 Phase 2 version 4.7.0.

1: SMS AT commands are compatible with GSM 07.05 Phase 2 + version .

9.3 New Message Acknowledgement +CNMA

9.3.1 Description :

This command allows reception of a new message routed directly to the TE to be acknowledged.

In TEXT mode, only positive acknowledgement to the network (RP-ACK) is possible.

In PDU mode, either positive (RP-ACK) or negative (RP-ERROR) acknowledgement to the network is possible.

Acknowledge with +CNMA is possible only if the +CSMS parameter is set to 1 (+CSMS=1) when a +CMT or +CDS indication is shown (see +CNMI command).

If no acknowledgement is given within the network timeout, an RP-ERROR is sent to the network, the <mt> and <ds> parameters of the +CNMI command are then reset to zero (do not show new message indication).

9.3.2 Syntax :

Command syntax in text mode :

AT+CNMA

Command syntax in PDU mode :

AT+CNMA [= <n> [, <length> [<CR>

PDU is entered <ctrl-Z / ESC>]]]

Note:

PDU is entered using <ackpdu> format instead of <pdu> format (e.g.. SMSC address field is not present).

Example of acknowledgement of a new message in TEXT mode

| Command | Possible responses |
|---|---|
| AT+CMGF=1 <i>Note : Set TEXT mode</i> | OK <i>Note : TEXT mode valid</i> |
| AT+CNMI=2,2,0,0,0 <i>Note : <mt>=2</i> | OK |
| | +CMT : "123456", "98/10/01,12 :30 00+00", 129,4 ,32,240, "15379", 129,5<CR><LF> Received message <i>Note : message received</i> |
| AT+CNMA <i>Note : acknowledge the message received</i> | OK <i>Note : send positive acknowledgement to the network</i> |
| AT+CNMA <i>Note : try to acknowledge again</i> | +CMS ERROR : 340 <i>Note : no +CNMA acknowledgment expected</i> |

Example of acknowledgement of a new message in PDU mode:

| Command | Possible responses |
|---|---|
| AT+CMGF=0 <i>Note : Set PDU mode</i> | OK <i>Note : PDU mode valid</i> |
| | +CMT: ,29 07913366003000F1240B913366920547 F30000003003419404800B506215D42E CFE7E17319 <i>Note : message received</i> |
| AT+CNMA=2,<length> <CR> ... <i>Pdu message</i> ... <Ctrl-Z/ESC> <i>Note : negative acknowledgement for the message.</i> | OK <i>Note : send a negative acknowledgement to the network (RP-ERROR) with PDU message (<ackpdu> format).</i> |

9.3.3 Defined values :

<n> : Type of acknowledgement in PDU mode

0: send RP-ACK without PDU (same as TEXT mode)

1: send RP-ACK with optional PDU message

2: send RP-ERROR with optional PDU message

<length>: Length of the PDU message

9.4 Preferred Message Storage +CPMS

9.4.1 Description :

This command allows the message storage area to be selected (for reading, writing, etc).

9.4.2 Syntax :

Command syntax : AT+CPMS=<mem1>,[<mem2>]

| Command | Possible responses |
|--|--|
| AT+CPMS=? <i>Note : Possible message storages</i> | +CPMS: (("SM","BM","SR"),("SM")) OK <i>Note : Read, list, delete: SMS, CBM or SMS Status Report Write, send: SMS</i> |
| AT+CPMS? <i>Note : Read</i> | +CPMS: "SM",3,10,"SM",3,10 OK <i>Note : Read, write...SMS from/to SIM 3 SMS are stored in SIM. 10 is the total memory available in SIM</i> |
| AT+CPMS="AM" <i>Note : Select false message storage</i> | +CMS ERROR: 302 |
| AT+CPMS="BM" <i>Note : Select CBM message storage</i> | +CPMS: 2,20,3,10 OK <i>Note : Read, list, delete CBM from RAM 2 CBM are stored in RAM</i> |
| AT+CPMS? <i>Note : Read</i> | +CPMS: "BM",2,20,"SM",3,10 OK <i>Note : Read list, delete CBM from RAM Write SMS to SIM</i> |

9.4.3 Defined values :

<mem1>: Memory used to list, read and delete messages. It can be:

- "SM": SMS message storage in SIM (default)
- "BM": CBM message storage (in volatile memory).
- "SR" : Status Report message storage (in SIM if the EF-SMR file exists, otherwise in the ME non volatile memory)

Note :

"SR" ME non volatile memory is cleared when another SIM card is inserted. It is kept, even after a reset, while the same SIM card is used.

<mem2>: Memory used to write and send messages

- "SM" : SMS message storage in SIM (default).

If the command is correct, the following message indication is sent:

+CPMS: <used1>,<total1>,<used2>,<total2>

When <mem1> is selected, all following +CMGL, +CMGR and +CMGD commands are related to the type of SMS stored in this memory.

9.5 Preferred Message Format +CMGF

9.5.1 Description :

The message formats supported are *text mode* and *PDU mode*.

In PDU mode, a complete SMS Message including all header information is given as a binary string (in hexadecimal format). Therefore, only the following set of characters is allowed: {'0','1','2','3','4','5','6','7','8','9', 'A', 'B','C','D','E','F'}. Each pair or character is converted to a byte (e.g.: '41' is converted to the ASCII character 'A', whose ASCII code is 0x41 or 65).

In Text mode, all commands and responses are in ASCII characters.

The selected format is stored in EEPROM by the +CSAS command.

9.5.2 Syntax :

Command syntax : AT+CMGF

| Command | Possible responses |
|--|---|
| AT+CMGF ? <i>Note : Current message format</i> | +CMGF: 1 OK <i>Note : Text mode</i> |
| AT+CMGF=? <i>Note : Possible message format</i> | +CMGF: (0-1) OK <i>Note : Text or PDU modes are available</i> |

Example, sending an SMS Message in PDU mode

| Command | Possible responses |
|--|--|
| AT+CMGF=0 <i>Note : Set PDU mode</i> | OK <i>Note : PDU mode valid</i> |
| AT+CMGS=14<CR> 0001030691214365000004C9E9340B <i>Note : Send complete MSG in PDU mode, no SC address</i> | +CMGS: 4 OK <i>Note : MSG correctly sent, <mr> is returned</i> |

9.5.3 Defined values :

The <pdu> message is composed of the SC address (00 means no SC address given, use default SC address read with +CSCA command) and the TPDU message.

In this example, the length in bytes of the TPDU buffer is 14, coded as GSM 03.40

In this case the TPDU is : 0x01 0x03 0x06 0x91 0x21 0x43 0x65 0x00 0x00 0x04 0xC9 0xE9 0x34 0x0B, which means regarding GSM 03.40 :

| | |
|-------------------|---|
| <fo> | 0x01 (SMS-SUBMIT, no validity period) |
| <mr> (TP-MR) | 0x03 (Message Reference) |
| <da> (TP-DA) | 0x06 0x91 0x21 0x43 0x65 (destination address +123456) |
| <pid> (TP-PID) | 0x00 (Protocol Identifier) |
| <dc> (TP-DCS) | 0x00 (Data Coding Scheme : 7 bits alphabet) |
| <length> (TP-UDL) | 0x04 (User Data Length, 4 characters of text) |
| TP-UD | 0xC9 0xE9 0x34 0x0B (User Data : ISSY) |

TPDU in hexadecimal format must be converted into two ASCII characters. For example, the byte 0x2A is presented to the ME as two characters '2' (ASCII 50) and 'A' (ASCII 65).

9.6 Save Settings +CSAS

9.6.1 Description :

All settings specified by the +CSCA and +CSMP commands are stored in EEPROM if the SIM card is a Phase 1 card or in the SIM card if it is a Phase 2 SIM card.

9.6.2 Syntax :

Command syntax : AT+CSAS

| Command | Possible responses |
|---|--------------------------------------|
| AT+CSAS <i>Note : Store +CSAS and +CSMP parameters</i> | OK <i>Note : Parameters saved</i> |

9.6.3 Defined values :

No parameter

9.7 Restore settings +CRES

9.7.1 Description :

All settings specified in the +CSCA and +CSMP commands are restored from EEPROM if the SIM card is Phase 1 or from the SIM card if it is a Phase 2 one.

9.7.2 Syntax :

Command syntax : AT+CRES

| Command | Possible responses |
|---|---|
| AT+CRES <i>Note : Restore +CSAS and +CSMP parameters</i> | OK <i>Note : Parameters restored</i> |

9.7.3 Defined values :

No parameter

9.8 Show text mode parameters +CSDH**9.8.1 Description :**

This command gives additional information on text mode result codes. These informations can be found in description of the +CMT, +CMGR, +CMGL commands and responses.

9.8.2 Syntax :

Command syntax : AT+CSDH

| Command | Possible responses |
|---|---|
| AT+CSDH? <i>Note : Current value</i> | +CSDH: 0 OK <i>Note : Do not show header values</i> |

9.8.3 Defined values:

No parameter.

9.9 New message indication +CNMI**9.9.1 Description :**

This command selects the procedure for message reception from the network.

9.9.2 Syntax :

Command syntax : AT+CNMI=<mode>,<mt>,<bm>,<ds>,<bfr>

| Command | Possible responses |
|---|--|
| AT+CNMI=2,1,0,0,0 <i>Note : <mt>=1</i> | OK |
| | AT+CMTI : "SM",1 <i>Note : message received</i> |
| AT+CNMI=2,2,0,0,0 <i>Note : <mt>=2</i> | OK |
| | +CMT : "123456","98/10/01,12 :30 00+00",129,4 ,32,240, "15379",129,5<CR><LF> <i>Note : message received</i> |
| AT+CNMI=2,0,0,1,0 <i>Note : <ds>=1</i> | OK |
| AT+CMGS="+33146290800"<CR> Happy Birthday !<ctrl-Z> <i>Note : Send a message in text mode</i> | +CMGS : 7 OK <i>Note : Successful transmission</i> |
| | +CDS : 2, 116, "+33146290800", 145, "98/10/01,12 :30 :07+04", "98/10/01 12 :30 :08+04", 0 <i>Note : message was correctly delivered</i> |

9.9.3 Defined values :

<mode> : controls the processing of unsolicited result codes

0: Buffer unsolicited result codes in the TA. If TA result code buffer is full, indications can be buffered in some other place or the oldest indications may be discarded and replaced with the new received indications

1: Discard indication and reject new received message unsolicited result codes when TA-TE link is reserved. Otherwise forward them directly to the TE

2: Buffer unsolicited result codes in the TA when TA-TE link is reserved and flush them to the TE after reservation. Otherwise forward them directly to the TE

3: Forward unsolicited result codes directly to the TE. TA-TE link specific inband used to embed result codes and data when TA is in on-line data mode

Important note : only <mode>=2 is supported.

Any other value for <mode> (0,1 or 3) is accepted (return code will be OK), but the processing of unsolicited result codes will be the same as with <mode>=2.

<mt> : sets the result code indication routing for SMS-DELIVER indications.

Default is 1.

0: No SMS-DELIVER indications are routed.

1: SMS-DELIVERs are routed using unsolicited code : +CMTI: "SM",<index>

2: SMS-DELIVERs (except class 2 messages) are routed using unsolicited code :

if PDU mode :

+CMT : [<alpha>,<length> <CR> <LF> <pdu>

if text mode :

+CMT : <oa>,<alpha>,<scts> [,<tooa>, <fo>, <pid>, <dcs>, <sca>, <tosca>, <length>] <CR><LF><data>

3: Class 3 SMS-DELIVERs are routed directly using code in <mt>=2 ; Other classes messages result in indication <mt>=1

<bm> : the rules for storing the received CBMs (Cell Broadcast Message) types depend on its coding scheme, the setting of Select CBM Types (see +CSCB command) and <bm> (this parameter). Default is 0.

0: No CBM indications are routed to the TE. The CBMs are stored.

1: The CBM is stored and an indication of the memory location is routed to the customer application using unsolicited result code: +CBMI: "BM", <index>

2: New CBMs are routed directly to the TE using unsolicited result code.

If PDU mode :

+CBM : <length><CR><LF><pdu> or

If text mode :

+CBM :<sn>,<mid>,<dcs>,<page>,<pages> <CR><LF> <data>

3: Class 3 CBMs : as <bm>=2.

Other classes CBMs : as <bm>=1.

<ds> for SMS-STATUS-REPORTs. Default is 0.

0: No SMS-STATUS-REPORTs are routed.

1: SMS-STATUS-REPORTs are routed using unsolicited code :

If PDU mode :

+CDS : <length> <CR> <LF> <pdu> (PDU mode) or

If text mode :

+CDS : <fo>,<mr>, [<ra>] , [<tora>], <scts>,<dt>,<st> (Text mode)

2: SMS-STATUS-REPORTs are stored and routed using the unsolicited result code : +CDSI: "SR",<index>

<bfr> Default is 0.

0: TA buffer of unsolicited result codes defined within this command is flushed to the TE when <mode> = 1 to 3 is entered (OK response shall be given before flushing the codes)

1: TA buffer of unsolicited result codes defined within this command is cleared when <mode> 1...3 is entered.

9.10 Read message +CMGR

9.10.1 Description :

This command allows the application to read stored messages. The messages are read from the memory selected by +CPMS command.

9.10.2 Syntax :

Command syntax : AT+CMGR=<index>

Response syntax for text mode:

+CMGR :<stat>,<oa>,[<alpha>,<fo>,<pid>,<dcsc>,<sca>,<tosca>,<length>] <CR><LF> <data> (for **SMS-DELIVER** only)

+CMGR : <stat>,<da>,[<alpha>,<fo>,<pid>,<dcsc>,<vp>], <sca>,<tosca>,<length>]<CR><LF> <data> (for **SMS-SUBMIT** only)

+CMGR : <stat>,<fo>,<mr>,[<ra>],[<tora>],<scts>,<dt>,<st> (for **SMS-STATUS-REPORT** only)

Response syntax for PDU mode :

+CMGR: <stat> , [<alpha>] ,<length> <CR><LF> <pdu>

A message read with status "REC UNREAD" will be updated in memory with the status "REC READ".

Note :

the <stat> parameter for SMS Status Reports is always "READ".

Example :

| Command | Possible responses |
|--|--|
| | AT+CMTI: "SM",1 <i>Note : New message received</i> |
| AT+CMGR=1 <i>Note : Read the message</i> | +CMGR: "REC UNREAD","0146290800", "98/10/01,18 :22 :11+00",<CR><LF> ABCdefGHI OK |
| AT+CMGR=1 <i>Note : Read the message again</i> | +CMGR: "REC UNREAD","0146290800", "98/10/01,18 :22 :11+00",<CR><LF> ABCdefGHI OK <i>Note : Message is read now</i> |
| AT+CMGR=2 <i>Note : Read at a wrong index</i> | +CMS ERROR: 321 <i>Note : Error : invalid index</i> |
| AT+CMGF=0 ;+CMGR=1 <i>Note : In PDU mode</i> | +CMGR: 2,,<length> <CR><LF><pdu> OK <i>Note : Message is stored but unsent, no <alpha>field</i> |
| AT+CMGF=1;+CPMS="SR";+CNMI=,,,2 <i>Reset to text mode, set read memory to "SR", and allow storage of further SMS Status Report into "SR" memory</i> | OK |
| AT+CMSS=3 <i>Send an SMS previously stored</i> | +CMSS: 160 OK |
| | +CDSI: "SR",1 <i>New SMS Status Report stored in "SR" memory at index 1</i> |
| AT+CMGR=1 <i>Read the SMS Status Report</i> | +CMGR: "READ",6,160, "+33612345678",129,"01/05/31,15:15:09 +00", "01/05/31,15:15:09+00",0 OK |

9.10.3 Defined values :

See above.

9.11 List message +CMGL

9.11.1 Description :

This command allows the application to read stored messages, by indicating the type of the message to read. The messages are read from the memory selected by the +CPMS command.

9.11.2 Syntax :

Command syntax : AT+CMGL=<stat>

Response syntax for text mode:

+CMGL : <index>,<stat>,<da/oa>[,<alpha>], [<scts>, <tooa/toda>, <length>]
 <CR><LF><data> (for **SMS-DELIVER** and **SMS-SUBMIT**, may be followed by other <CR><LF>+CMGL:<index>...)

+CMGL : <index>,<stat>,<fo>,<mr>,<ra>,<tora>,<scts>,<dt>,<st> (for **SMS-STATUS-REPORT** only, may be followed by other <CR><LF>+CMGL:<index>...)

Response syntax for PDU mode :

+CMGL : <index>,<stat>, [<alpha>], <length> <CR><LF> <pdu> (for **SMS-DELIVER**, **SMS-SUBMIT** and **SMS-STATUS-REPORT**, may be followed by other <CR><LF>+CMGL:<index>...)

| Command | Possible responses |
|--|--|
| AT+CMGL="REC UNREAD" <i>Note : List unread messages in text mode</i> | +CMGL: 1,"REC UNREAD","0146290800", <CR><LF> I will be late +CMGL: 3,"REC UNREAD", "46290800", <CR><LF>See you tonight ! OK <i>Note : 2 messages are unread, these messages will then have their status changed to "REC READ"</i> |
| AT+CMGL="REC READ" <i>Note : List read messages in text mode</i> | +CMGL: 2,"REC READ","0146290800", <CR><LF> Keep cool OK |
| AT+CMGL="STO SENT" <i>Note : List stored and sent messages in text mode</i> | OK <i>Note : No message found</i> |
| AT+CMGL=1 <i>Note : List read messages in PDU mode</i> | +CMGL: 1,1,,26 <CR><LF> 07913366003000F3040B913366920547 F40013001190412530400741AA8E5A9C 5201 OK |

9.11.3 Defined values

<stat> possible values (status of messages in memory) :

| Text mode possible values | PDU mode possible values | Status of messages in memory |
|---------------------------|--------------------------|------------------------------|
| "REC UNREAD" | 0 | received unread messages |
| "REC READ" | 1 | received read messages |
| "STO UNSENT" | 2 | stored unsent messages |
| "STO SENT" | 3 | stored sent messages |
| "ALL" | 4 | all messages |

Note :

For SMS Status Reports, only "ALL" / 4 and "READ" / 1 values of the <stat> parameter will list messages ; other values will only return OK.

9.12 Send message +CMGS

9.12.1 Description :

The <address> field is the address of the terminal to which the message is sent. To send the message, simply type, <ctrl-Z> character (ASCII 26). The text can contain all existing characters except <ctrl-Z> and <ESC> (ASCII 27). This command can be aborted using the <ESC> character when entering text. In PDU mode, only hexadecimal characters are used ('0'...'9','A'...'F').

9.12.2 Syntax :

Command syntax in text mode :

AT+CMGS= <da> [,<tda>] <CR>

text is entered <ctrl-Z / ESC >

Command syntax in PDU mode :

AT+CMGS= <length> <CR>

PDU is entered <ctrl-Z / ESC >

| Command | Possible responses |
|--|--|
| AT+CMGS=" +33146290800" <CR> Please call me soon, Fred. <ctrl-Z> <i>Note : Send a message in text mode</i> | +CMGS: <mr> OK <i>Note : Successful transmission</i> |
| AT+CMGS=<length><CR><pdu><ctrl-Z> <i>Note : Send a message in PDU mode</i> | +CMGS: <mr> OK <i>Note : Successful transmission</i> |

The message reference, <mr>, which is returned to the application is allocated by the product. This number begins with 0 and is incremented by one for each outgoing message (successful and failure cases); it is cyclic on one byte (0 follows 255).

Note:

 confidential ©

Page : 89 / 318

This document is the sole and exclusive property of WAVECOM. Not to be distributed or divulged without prior written agreement. Ce document est la propriété exclusive de WAVECOM. Il ne peut être communiqué ou divulgué à des tiers sans son autorisation préalable.

this number is not a storage number – outgoing messages are not stored.

9.12.3 Defined values :

See above paragraphs.

9.13 Write Message to Memory +CMGW

9.13.1 Description :

This command stores a message in memory (either SMS-SUBMIT or SMS-DELIVERS). The memory location <index> is returned (no choice possible as with phonebooks +CPBW).

Text or PDU is entered as described for the Send Message +CMGS command.

9.13.2 Syntax :

Command syntax in text mode : (<index> is returned in both cases)

AT+CMGW= <oa/da> [,<tooa/toda> [,<stat>]] <CR>

enter text <ctrl-Z / ESC>

Command syntax in PDU mode :

AT+CMGW= <length> [,<stat>] <CR>

give PDU <ctrl-Z / ESC>

Response syntax:

+CMGW: <index> or +CMS ERROR: <err> if writing fails

| Command | Possible responses |
|---|---|
| AT+CMGW=" +33146290800" <CR> Hello how are you ?<ctrl-Z> <i>Note : Write a message in text mode</i> | +CMGW: 4 OK <i>Note : Message stored in index 4</i> |
| AT+CMGW=<length><CR><pdu><ctrl-Z> <i>Note : Write a message in PDU mode</i> | +CMGW: <index> OK <i>Note : Message stored in <index></i> |

9.13.3 Defined values :

Parameter Definition :

<oa/da> : Originating or Destination Address Value in string format.

<tooa/toda> : Type of Originating / Destination Address.

<stat>: Integer type in PDU mode (*default 2 for +CMGW*), or string type in text mode (*default "STO UNSENT" for +CMGW*). Indicates the status of message in memory. If <stat> is omitted, the stored message is considered as a message to send.

<stat>

0: "REC UNREAD"

1: "REC READ"

2: "STO UNSENT"

3: "STO SENT"

<length> : Length of the actual data unit in bytes

9.14 Send Message From Storage +CMSS

9.14.1 Description :

This command sends a message stored at location value <index>.

9.14.2 Syntax :

Command syntax: AT+CMSS=<index>[,<da> [,<toda>]]

Response syntax:

+CMSS : <mr> or +CMS ERROR: <err> if sending fails

If a new recipient address <da> is given, it will be used instead of the one stored with the message

| Command | Possible responses |
|---|---|
| AT+CMGW=0660123456<CR> Today is my birthday <i>Note :</i> | +CMGW : 5 OK <i>Note :Message stored with index 5</i> |
| AT+CMSS=5, 0680654321 <i>Note : Send the message 5 to a different destination number</i> | +CMSS :<mr> OK <i>Note : Successful transmission</i> |

9.14.3 Defined values

<index>

<da>

<toda>

<mr>

See above descriptions.

9.15 Set Text Mode Parameters +CSMP

9.15.1 Description :

This command is used to select a value for <vp>, <pid>, and <dc>.

9.15.2 Syntax ;

Command syntax : AT+CSMP=<fo>, <vp>, <pid>,<dc>

| Command | Possible responses |
|--|---|
| AT+CSMP? <i>Note : current values</i> | +CSMP: 0,0,0,0 OK <i>Note : No validity period <dc>= PCCP437 alphabet (8 bits → 7 bits)</i> |
| AT+CSMP=17,23,64,244 <i>Note :<vp> = 23 (2 hours, relative format) <dc> = GSM 8 bits alphabet</i> | OK <i>Note : Command correct</i> |

9.15.3 Defined values :

The <fo> byte comprises 6 different fields :

| b7 | b6 | B5 | b4 | b3 | b2 | b1 | b0 |
|----|-----|-----|-----|----|----|-----|----|
| RP | UDH | SRR | VPF | | RD | MTI | |
| | I | | | | | | |

RP : Reply Path, not used in text mode.

UDHI : User Data Header Information, b6=1 if the beginning of the User Data field contains a Header in addition to the short message. This option is not supported in +CSMP command, but can be used in PDU mode (+CMGS).

SRR : Status Report Request, b5=1 if a status report is requested. This mode is supported.

VPF : Validity Period Format

b4=0 & b3=0 -> <vp> field is not present

b4=1 & b3=0 -> <vp> field is present in relative format

Others formats (absolute & enhanced) are not supported.

RD : Reject Duplicates, b2=1 to instruct the SC to reject an SMS-SUBMIT for an SM still held in the SC which has the same <mr> and the same <da> as the previously submitted SM from the same <oa>.

MTI : Message Type Indicator

b1=0 & b0=0 -> SMS-DELIVER (in the direction SC to MS)

b1=0 & b0=1 -> SMS-SUBMIT (in the direction MS to SC)

In text mode <vp> is only coded in "relative" format. The default value is 167 (24 hours). This means that one byte can describe different values :

| VP value | Validity period value |
|------------|--|
| 0 to 143 | (VP + 1) x 5 minutes (up to 12 hours) |
| 144 to 167 | 12 hours + (VP - 143) x 30 minutes) |
| 168 to 196 | (VP - 166) x 1 day |
| 197 to 255 | (VP - 192) x 1 week |

<pid> is used to indicate the higher layer protocol being used or indicates interworking with a certain type of telematic device. For example, 0x22 is for group 3 telefax, 0x24 is for voice telephone, 0x25 is for ERMES.

<dc> is used to determine the way the information is encoded. Compressed text is not supported. Only GSM default alphabet, 8 bit data and UCS2 alphabet are supported.

9.16 Delete message +CMGD

9.16.1 Description :

This command is used to delete one or several messages from preferred message storage ("BM" SMS CB 'RAM storage', "SM" SMSPP storage 'SIM storage' or "SR" SMS Status-Report storage).

9.16.2 Syntax :

Command syntax : AT+CMGD=<Index> [,<DelFalg>]

| Command | Possible responses |
|-------------------------------|---|
| | +CMTI:"SM",3 Note : New message received |
| AT+CMGR=3 Note : Read it | +CMGR: "REC UNREAD","0146290800", "98/10/01,18 :19 :20+00" <CR><LF> Message received! Note : Unread message received from 0146290800 on the 01/10/1998 at 18H19m 20s |
| AT+CMGD=3 Note : Delete it | OK Note : Message deleted |
| AT+CMGD=1,0 | OK Note : The message from the preferred message storage at the location 1 is deleted |
| AT+CMGD=1,1 | OK Note : All READ messages from the preferred message storage are deleted |
| AT+CMGD=1,2 | OK Note : All READ messages and SENT mobile originated messages are deleted |
| AT+CMGD=1,3 | OK Note : All READ, SENT and UNSENT messages are deleted |
| AT+CMGD=1,4 | OK Note : All messages are deleted |

9.16.3 Defines values

<index>

(1-20)

When the preferred message storage is "BM"
Integer type values in the range of location numbers of SIM
Message memory when the preferred message storage is "SM"
or "SR".

<DelFlag>

- | | |
|---|---|
| 0 | Delete message at location <index>. |
| 1 | Delete All READ messages |
| 2 | Delete All READ and SENT messages |
| 3 | Delete All READ, SENT and UNSENT messages |
| 4 | Delete All messages. |

Note :

when the preferred message storage is "SR", as SMS status reports are assumed to have a "READ" status, if <DelFlag> is greater than 0, all SMS status reports will be deleted.

9.17 Service center address +CSCA

9.17.1 Description

This command is used to indicate to which service center the message must be sent.

The product has no default value for this address. If the application tries to send a message without having indicated the service center address, an error will be generated.

Therefore, the application must indicate the SC address when initialising the SMS. This address is then permanently valid. The application may change it if necessary.

9.17.2 Syntax :

Command syntax : AT+CSCA=<sca>

| Command | Possible responses |
|--|---|
| AT+CMGS= "+33146290800"<CR> Hello, how are you?<ctrl-Z> <i>Note : Send a message</i> | +CMS ERROR: 330 <i>Note : service center unknown</i> |
| AT+CSCA="0696741234" <i>Note : Service center initialization</i> | OK <i>Note :</i> |
| AT+CMGS=" +33146290800"<CR> Happy Birthday ! <ctrl-Z> <i>Note :</i> | +CMGS: 1 OK <i>Note : Successful transmission</i> |

9.17.3 Defined values :

<sca>

See above descriptions

9.18 Select Cell Broadcast Message Types +CSCB

9.18.1 Description

This command selects which types of CBMs are to be received by the ME. It is allowed in both PDU and text modes.

9.18.2 Syntax :

Command syntax: AT+CSCB= <mode>, [<mids>, [<dcss>]]

Important note : Test read command (AT+CSCB ?) is not supported.

| Command | Possible responses |
|--|---|
| AT+CSCB=0,"15-17,50,86","" <i>Note : Accept SMS-CB types, 15, 16, 17, 50 and 86 in any language</i> | OK <i>Note : CBMs can be received</i> |
| | +CBM : 10<CR><LF> 00112233445566778899 <i>Note : CBM length of a received Cell Broadcast message (SMS-CB), CBM bytes in PDU mode)</i> |
| AT+CSCB=1 <i>Note : Deactivate the reception of CBMs</i> | OK <i>Note : CBM reception is completely stopped</i> |

9.18.3 Defined values :

The <bm> parameter of +CNMI command controls the message indication. The activation of CBM reception (<mode>=0) can select only specific Message Identifiers (list in <mids>) for specific Languages (list in <dcss>), but the deactivation stops any reception of CBMs (only AT+CSCB=1 is allowed) Message Identifiers (<mids> parameter) indicates to which type of message identifiers the ME should listen.

<dcss> : Supported languages

- 0 German
- 1 English
- 2 Italian
- 3 French
- 4 Spanish
- 5 Dutch
- 6 Swedish
- 7 Danish
- 8 Portuguese
- 9 Finnish
- 10 Norwegian
- 11 Greek
- 12 Turkish
- 13 Hungarian
- 14 Polish
- 32 Czech.

9.19 Cell Broadcast Message Identifiers +WCBM

9.19.1 Description :

This specific command is used to read the EF-CBMI SIM file.

Remark: The EF-CBMI file is not used with the +CSCB command.

The application should read this file (using AT+WCBM ?) and combine the Message Identifiers with those required by the application.

9.19.2 Syntax :

Command syntax : AT+WCBM= <mids>

| Command | Possible responses |
|--|--|
| AT+WCBM="10,100,1000,10000" <i>Note : Write 4 messages identifiers in EF-CBMI</i> | OK <i>Note : CBMIs are stored in EF-CBMI</i> |
| AT+WCBM? <i>Note : Read the CBMIs in EF-CBMI</i> | +WCBM="10,100,1000,10000" OK <i>Note : 4 CBMIs are stored in EF-CBMI</i> |

9.19.3 Defined values :

<mids>

See above descriptions

9.20 Message status modification +WMSC

9.20.1 Description

This commands allow the manipulation of a message status. The accepted status changes are from READ to NOT READ and vice versa, and from SENT to NOT SENT and vice versa.

9.20.2 Syntax:

Command syntax : AT+WMSC= <loc>, <status>

| Command | Possible responses |
|-------------------------|--|
| AT+CMGR=2 | +CMGR: "REC READ", "+336290918", "99/05/01 14:19:44+04" <CR><LF> Hello All of you ! OK |
| AT+WMSC=2, "REC UNREAD" | |
| AT+CMGR=2 | +CMGR: "REC UNREAD", "+336290918", "99/05/01 14:19:44+04" <CR><LF> Hello All of you ! OK |

Possible responses:

| | |
|-----------------|---|
| OK | if the location is valid |
| +CMS ERROR: 321 | if <loc> is invalid or free |
| +CMS ERROR: 302 | if the new <status> and the previous one are incompatible (1) |

Note 1 :

If all the parameters are correct, the product overwrites the whole SMS in SIM. Only the first byte (Status byte) is changed.

9.20.3 Defined values :

<loc> location number of the stored message (integer)
<status> new status to be stored, as for +CMGL command :

| PDU Mode | Text Mode |
|----------|--------------|
| 0 | "REC UNREAD" |
| 1 | "REC READ" |
| 2 | "STO UNSENT" |
| 3 | "STO SENT" |

9.21 Message overwriting +WMGO

9.21.1 Description :

The WMGO command is used to specify a location in the SIM, for the next SMS storing with +CMGW command. The defined location is used only once : +WMGO has to be used again to perform another overwrite.

Important notes :

- If the external application specifies a free location, and an incoming message is received before the AT+CMGW command occurs, the product may store the incoming message at the specified available location. If the user then issues an AT+CMGW command without changing the location with another AT+WMGO, the received message will be overwritten.

- The location number is not kept over a software reset.

9.21.2 Syntax :

Command syntax: AT+WMGO= <loc>

| Command | Possible responses |
|---|---|
| AT+CMGW="+33146290800"<CR> Hello how are you ?<ctrl-Z> <i>Note : Write a message in text mode</i> | +CMGW: 4 OK <i>Note : Message stored in index 4</i> |
| AT+WMGO=4 | |
| AT+CMGW="+33146299704"<CR> You are overwritten<ctrl-Z> | +CMGW: 4 OK <i>Note : New Message stored in index 4</i> |

Possible responses:

OK if <loc> is a valid SMS location, for AT+WMGO=?
and for AT+WMGO?
+CMS ERROR: 321 if <loc> is out of the SIM capacity range.
+WMGO: <loc> for AT+WMGO?
OK

9.21.3 Defined values :

<loc> location number of the SIM record to write or overwrite. Number depending of the SIM capacity.

9.22 Unchange SMS Status +WUSS

9.22.1 Description :

The +WUSS command allows to keep the SMS Status to UNREAD after +CMGR or +CMGL.

9.22.2 Syntax :

Command syntax : AT+WUSS = <mode>

| Command | Possible responses |
|------------|---|
| AT+WUSS=1 | OK |
| | +CMTI: "SM",10 Note : SMS has been received in index 10 |
| AT+CMGR=10 | +CMGR: "REC UNREAD","+33660669023",,"03/02/13,18: 36:35+00"<CR><LF> Do You want to change state ? OK |
| AT+CMGR=10 | +CMGR: "REC UNREAD","+33660669023",,"03/02/13,18: 36:35+00"<CR><LF> Do You want to change state ? OK <i>Note : The state hasn't be updated</i> |

Possible responses:

OK

9.22.3 Defined values :

<mode>

<mode> : 1 The SMS Status will not change.

<mode> : 0 The SMS Status will change.

10 Supplementary Services commands

10.1 Call forwarding +CCFC

10.1.1 Description :

This commands allows control of the "call forwarding" supplementary service.

10.1.2 Syntax :

Command syntax :

AT+CCFC= <reason>, <mode> [, <number> [,<type> [,<class> [,<subaddr> [, <satype> [,<time>]]]]]]]]

Response syntax:

+CCFC: <status>, <class1> [, <number>, <type> [,<subaddr>, <satype> [,<time>]]] [<CR><LF>+CCFC: <status>, <class2> [, <number>, <type> [,<subaddr>, <satype> [,<time>]]] [...]]

| Command | Possible responses |
|--|---|
| AT+CCFC=0,3,"0146290800" <i>Note : Register to an unconditional call forwarding</i> | OK <i>Note : Command valid</i> |
| AT+CCFC=0,2 <i>Note : Interrogate unconditional call forwarding</i> | +CCFC:1,1,"0146290800",129 <i>Note : Call forwarding active for voice</i> <CR><LF>+CCFC:1,2,"0146290802",129 <i>Note : Call forwarding active for data</i> <CR><LF>+CCFC:1,4,"0146290804",129 OK <i>Note : Call forwarding active for fax</i> |
| AT+CCFC=0,4 <i>Note : Erase unconditional call forwarding</i> | OK <i>Note : Command valid</i> |

+CCFC responses are not sorted by <class> parameter, but only by the order of network response.

10.1.3 Defined values

<reason>

- 0 Unconditional
- 1 Mobile busy
- 2 No reply
- 3 Not reachable
- 4 All call forwarding
- 5 All conditional call forwarding

<mode>

- 0 Disable
- 1 Enable
- 2 Interrogate
- 3 Registration
- 4 Erasure

<type> : TON/NPI (Type of address byte in integer format) (default 145 when dialling string includes international access code character "+", otherwise 129)

<class>

- 1 Voice
- 2 Data
- 4 Fax
- 8 Short Messages
- 7 All classes

Note: The combination of different classes is not supported, it will only result in the activation / deactivation / status request of all classes (7).

If the FDN phonebook is activated, the registration is restricted to the phone numbers written in it.

if <Class> parameter is not given in the command, 7 is used as default value.

<subaddr> not managed

<satype> not managed

<time> For <reason> = 2 (No reply), 4 (all calls forwarding) and 5 (all conditional call forwarding), time to wait (1 to 30) in seconds before call is forwarded. Default value is 20.

< status >

0 : not active

1 : active

10.2 Call barring +CLCK

10.2.1 Description :

This command allows control of the call barring supplementary service. Locking, unlocking or querying the status of call barring is possible for all classes or for a specific class, but not a combination of some.

10.2.2 Syntax :

Command Syntax : AT+CLCK= <fac>, <mode> [, <password> [, <class>]]

Response Syntax: (for <mode>=2 and command successful)

+CLCK: <status> [, <class1> [<CR><LF>+CLCK: <status>, <class2> [...]]

| Command | Possible responses |
|--------------------------------------|--|
| AT+CLCK="AO",1,1234 <i>Note :</i> | OK <i>Note : Command valid</i> |
| AT+CLCK="AO",0,5555 <i>Note :</i> | +CME ERROR: 16 <i>Note : Wrong password</i> |
| AT+CLCK="AO",0,1234 <i>Note :</i> | OK <i>Note : Command valid</i> |

10.2.3 Defined values :

<fac>

"AO", "OI", "OX" barring for outgoing calls

"AI", "IR" barring for incoming calls

"AG", "AC", "AB" for all calls barring (<mode>=0 only)

<mode>

0: Unlocks the facility

1: Locks the facility

2: Query status

<class> : see description for +CLCK command (Facility lock) or +CCFC (Call forwarding).

Note : A combination of different classes is **not supported**. It will only result in the activation / deactivation / status request for all classes (7).

The password code is over 4 digits maximum.

< status >

0 : not active

1 : active

10.3 Modify SS password +CPWD

10.3.1 Description :

This command is used by the application to change the supplementary service password.

10.3.2 Syntax :

Command Syntax: AT+CPWD=<fac>,<OldPassword>, <NewPassword>

| Command | Possible responses |
|--|--|
| AT+CPWD="AO",1234,5555 <i>Note : Change Call Barring password</i> | OK <i>Note : Password changed</i> |
| AT+CPWD="AO",1234,5555 <i>Note : Change password</i> | +CME ERROR: 16 <i>Note : Wrong password</i> |
| AT+CPWD="AO",5555,1234 <i>Note : Change password</i> | OK <i>Note : Password changed</i> |

10.3.3 Defined values :

<fac>

see +CLCK command with only "P2" facility added (SIM PIN2).

Note : Whatever the facility specified, the change of password applies to all calls barring.

<OldPassword>, <NewPassword>

The password code is over up to 8 digits for P2 facility (4 to 8 digits).

The password code is over up to 4 digits for the other facilities (1 to 4 digits) .

10.4 Call waiting +CCWA

10.4.1 Description :

This command allows control of the call waiting supplementary service.

The product will send a +CCWA unsolicited result code when the call waiting service is enabled.

10.4.2 Syntax :

Command Syntax : AT+CCWA=<n>, [<mode> [, <class>]]

Response Syntax : (for <mode>=2 and command successful)

+CCWA: <status> [, <class1> [<CR><LF>+CCWA: <status>, <class2> [...]]

Unsolicited result : +CCWA: <number>, <type>, <class> [,<alpha>] (when waiting service is enabled)

| Command | Possible responses |
|--|--|
| AT+CCWA=1,1,1 <i>Note : Enable call waiting for voice calls</i> | OK <i>Note : Command valid</i> |
| AT+CCWA=1,2 <i>Note : Interrogate call waiting</i> | +CCWA:1,1 OK <i>Note : Call waiting active for voice calls</i> |
| | +CCWA:"0146290800",145,1,"FREDDY" <i>Note : Number and name of the waiting voice call</i> or +CCWA:"0146290800",145,1,"8023459678FFFF" <i>Note : Number and name of the waiting voice call (UCS2 format)</i> |
| AT+CCWA=1,0,7 <i>Note : Erase call waiting</i> | OK <i>Note : Command valid</i> |
| | +CCWA:,,1 <i>Note : voice call waiting (no number)</i> |

10.4.3 Defined values :

<n> : result code presentation status in the TA

<n>

0 : Disable

1 : Enable

<mode>

0 : Disable

1 : Enable

2 : Query status

<class>

1: Voice

2 : Data

4: Fax

8: Short Messages

7: All classes (voice, data and fax)

A combination of different classes is **not supported**. It will only result in the activation / deactivation / status request for all classes (7).

<status>

0: not active

1 : active

<alpha> : optional string type alphanumeric representation of <number> corresponding to the entry found in the ADN or FDN phonebook.

10.5 Calling line identification restriction +CLIR

10.5.1 Description :

This command allows control of the calling line identification restriction supplementary service.

10.5.2 Syntax :

Command syntax : AT+CLIR=<n>

Response syntax : +CLIR :<n>,<m> (for AT+CLIR ?)

| Command | Possible responses |
|--|---|
| AT+CLIR=2 <i>Note :</i> | OK <i>Note : Command valid</i> |
| AT+CLIR ? <i>Note : Ask for current functionality</i> | +CLIR :<n>,<m> OK <i>Note : <n> and <m> as defined here-below</i> |

10.5.3 Defined values :

<n>: sets the line ID restriction for outgoing calls

- 0: Presentation indicator is used according to the subscription of the CLIR service
- 1: CLIR invocation
- 2: CLIR suppression

<m>: shows the subscriber CLIR status in the network

- 0: CLIR not provisioned
- 1: CLIR provisioned in permanent mode
- 2: Unknown (no network...)
- 3: CLIR temporary mode presentation restricted
- 4: CLIR temporary mode presentation allowed

10.6 Calling line identification presentation +CLIP

10.6.1 Description :

This command allows control of the Calling Line Identifier presentation supplementary service. When presentation of the CLI (Calling Line Identifier) is enabled (and calling subscriber allows), +CLIP response is returned after every RING (or +CRING) result code.

10.6.2 Syntax :

Command syntax : AT+CLIP=<n>

Response syntax :

+CLIP: <n>,<m> (as response to AT+CLIP?)

+CLIP: <number>, <type>[,<subaddr>, <satype>, <alpha>] (for an incoming call, after each RING or +CRING indication)

| Command | Possible responses |
|---|--|
| AT+CLIP=1 <i>Note : Enable CLIP</i> | OK <i>Note : CLIP is enabled</i> |
| AT+CLIP? <i>Note : Ask for current functionality</i> | +CLIP:<n>,<m> OK <i>Note : <n> and <m> defined as below</i> |
| | RING <i>Note : Incoming call</i> +CLIP: "0146290800",129,1,,"FRED" <i>Note : Incoming call with number and name presentation</i> |
| | RING <i>Note : Incoming call</i> +CLIP: "0146290800",129,1,,"8000204212FFFF" <i>Note : Incoming call with number and name presentation (UCS2 format)</i> |
| AT+CLIP=0 <i>Note : Disable CLIP presentation</i> | OK <i>Note : Command valid</i> |

10.6.3 Defined values :

<n>: parameter sets/shows the result code presentation in the TA

0: Disable

1: Enable

<m>: parameter shows the subscriber CLIP service status in the network

0: CLIP not provisioned

1: CLIP provisioned

2: Unknown (no network...)

10.7 Connected line identification presentation +COLP

10.7.1 Description :

This command allows control of the connected line identification presentation supplementary service - useful for call forwarding of the connected line.

10.7.2 Syntax :

Command syntax: AT+COLP=<n>

Response syntax:

+COLP: <n>,<m> (as response to AT+COLP?)

+COLP: <number>,<type> [,<subaddr>, <satype>, <alpha>]

after ATD command, before OK or CONNECT <speed>

| Command | Possible responses |
|---|--|
| AT+COLP=1 <i>Note : Activate COLP</i> | OK <i>Note : Command valid</i> |
| AT+COLP? <i>Note : Ask for current functionality</i> | +COLP:1,1 OK <i>Note : COLP is enabled and provisioned</i> |
| ATD146290928; <i>Note : Outgoing call</i> | +COLP:"0146290928",129,,"JOE" or +COLP:"0146290800",129,1,,"8000204212FFFF" (UCS2 format) OK <i>Note : Connected outgoing line number and name presentation</i> |
| AT+COLP=0 <i>Note : Deactivate COLP</i> | OK <i>Note : Command valid</i> |

10.7.3 Defined values

<n>: parameter sets/shows the result code presentation status in the TA

0: Disable

1: Enable

<m>: parameter shows the subscriber COLP service status in the network

0: COLP not provisioned

- 1: COLP provisioned
- 2: Unknown (no network)

10.8 Advice of charge +CAOC

10.8.1 Description :

This refers to the Advice of Charge supplementary service (GSM 02.24 and GSM 02.86) which enables the subscriber to obtain information on call cost. With <mode>=0, the command returns the current call meter value (CCM) from the ME.

If AOC is supported, the command can also enable unsolicited event reporting on CCM information.

The unsolicited result code +CCCM: <ccm> is sent when the CCM value changes. Deactivation of unsolicited event reporting is performed with the same command.

If AOC is supported, the Read command indicates whether unsolicited reporting is activated or not.

10.8.2 Syntax :

Command syntax : AT+CAOC= <mode>

| Command | Possible responses |
|---|--|
| AT+CAOC=0 <i>Note : Query CCM value</i> | +CAOC: "000A08" OK <i>Note : Display Current Call Meter value (CCM=2568)</i> |
| AT+CAOC=1 <i>Note : Deactivate unsolicited report of CCM value</i> | OK <i>Note : CCM report deactivated</i> |
| AT+CAOC=2 <i>Note : Activate unsolicited report of CCM value</i> | OK <i>Note : CCM report activated</i> |
| AT+CAOC ? <i>Note : Request mode</i> | +CAOC :<mode> OK <i>Note : Display unsolicited report mode (1 or 2)</i> |
| AT+CAOC=? <i>Note : Request supported modes</i> | +CAOC : (0-2) OK <i>Note : 0,1,2 modes supported</i> |

10.8.3 Defined values :

<mode>

- 0: query CCM value
- 1: deactivate the unsolicited reporting of CCM value
- 2: activate the unsolicited reporting of CCM value

<ccm> string type; three bytes of the current call meter value in hexadecimal format (e.g. "00001E" corresponds to the decimal value 30); value is in home units and bytes are coded in a similar way as the ACMmax value in SIM.

10.9 Accumulated call meter +CACM

10.9.1 Description :

This command resets the Advice of Charge for accumulated call meter value in SIM file EF_{ACM}. The ACM contains the total number of home units for both the current and preceding calls. SIM PIN2 is required to reset the value. If setting fails in an ME error, +CME ERROR: <err> is returned.

The Read command returns the current value of the ACM.

The ACM value (entered or displayed) is in hexadecimal format with 6 digits.

10.9.2 Syntax :

Command syntax : AT+CACM :<pin2 passwd>

Possible response : +CACM : <acm value>

| Command | Possible responses |
|--|---|
| AT+CACM? <i>Note : Request ACM value</i> | +CACM: "000400" OK <i>Note : Display ACM value (ACM=1024)</i> |
| AT+CACM= 1234 <i>Note : Request ACM reset, real PIN2 is "1234"</i> | OK <i>Note : ACM value is reset</i> |
| AT+CACM= 0000 <i>Note : Request ACM reset with wrong PIN2 value</i> | +CME ERROR : 16 <i>Note : Incorrect password</i> |
| AT+CACM ? <i>Note : Request ACM value</i> | +CACM: "000000" OK <i>Note : Display ACM value (ACM = 0)</i> |

10.9.3 Defined values:

<pin2 passwd>

string type

<acm value>

string type coded as <ccm> under +CAOC.

10.10 Accumulated call meter maximum +CAMM

10.10.1 Description :

The set command sets the Advice of Charge related to accumulated call meter maximum value in SIM file EF_{ACMmax}. ACMmax contains the maximum number

of home units the subscriber is allowed to spend. When ACM (see +CACM) reaches ACMmax, calls are prohibited. SIM PIN2 is required to set the value. If setting fails in an ME error, +CME ERROR: <err> is returned. The Read command returns the current value of ACMmax. The ACMmax value (entered or displayed) is in hexadecimal format with 6 digits.

10.10.2 Syntax :

Command syntax : AT+CAMM:<ACMmax>,<pin2 passwd>

| Command | Possible responses |
|--|---|
| AT+CAMM="000400",1234 <i>Note : Request ACMmax update, PIN2 is "1234"</i> | OK <i>Note : ACMmax updated to 1024</i> |
| AT+CAMM="000400",0000 <i>Note : Request ACMmax update, PIN2 is "1234"</i> | +CME ERROR : 16 <i>Note : Incorrect password</i> |
| AT+CAMM ? <i>Note : Request ACMmax value</i> | +CAMM : "000400" OK <i>Note : ACMmax = 1024</i> |

10.10.3 Defined values:

<ACMmax>

string type coded as <ccm> under +CAOC. Value 0 disables ACMmax feature.

<pin2 passwd>

string type

10.11 Price per unit and currency table +CPUC**10.11.1 Description :**

The set command sets the parameters for Advice of Charge related to price per unit and the currency table in SIM file EFPUCT. PUCT information can be used to convert the home units (as used in +CAOC, +CACM and +CAMM) into currency units. SIM PIN2 is required to set the parameters. If setting fails in an ME error, +CME ERROR: <err> is returned.

10.11.2 Syntax :

Command syntax : AT+CPUC : <currency>,<ppu>,<pin2 passwd>

| Command | Possible responses |
|---|--|
| AT+CPUC="FFR","0.82",1234 <i>Note : Request Currency and Price per unit update</i> | OK <i>Note :</i> |
| AT+CPUC="FFR","0.82",1111 <i>Note : Request Currency and PPU update (wrong PIN2)</i> | + CME ERROR : 16 <i>Note : Incorrect password</i> |
| AT+CPUC? <i>Note : Request Currency and Price</i> | +CPUC:"FFR","0.82" OK <i>Note : Currency= "FFR" Price per unit= "0.82"</i> |

10.11.3 Defined values:

<currency>

string type

<ppu>

string type

<pin2 passwd>

string type

10.12 Call related supplementary services +CHLD

10.12.1 Description :

This command is used to manage call hold and multiparty conversation (conference call). Calls can be put on hold, recovered, released or added to a conversation.

10.12.2 Syntax :

Command syntax: AT+CHLD= < n >

Response syntax: +CHLD: (0-4, 11-17, 21-27) (for AT+CHLD=?)

OK

10.12.3 Defined values

<n>

0: Release all held calls or set User Determined User Busy (UDUB) for a waiting call.

1: Release all active calls (if any exist) and accepts the other (held or waiting) call.

1X: Release a specific call X (active, held or waiting)

2: Place all active calls (if any exist) on hold and accepts the other (held or waiting) call.

2X: Place all active calls on hold except call X with which communication is supported.

3: Adds a held call to the conversation.

4: Connects the two calls and disconnects the subscriber from both calls (Explicit Call Transfer).

10.13 List current calls +CLCC

10.13.1 Description :

This command is used to return a list of current calls.

10.13.2 Syntax :

Command syntax : AT+CLCC

Response syntax: OK (*if no calls are available*)

Else :

+CLCC : <id1>, <dir>, <stat>, <mode>, <mpty> [, <number>, <type> [
[<alpha>]]

[<CR><LF>

+CLCC: <id2>, <dir>, <stat>, <mode>, <mpty> [, <number>, <type> [
[<alpha>]][...]]

| Command | Possible responses |
|----------------|---|
| ATD0146299704; | OK |
| AT+CLCC | +CLCC: 1,0,0,0,0,"0146299704",129 OK |

10.13.3 Defined values :

<idx> integer type, call identification as described in GSM 02.30

<dir> (direction of the call)

0: mobile originated (MO) call

1: mobile terminated (MT) call

<stat> (state of the call):

0: active

1: held

2: dialling (MO call)
3: alerting (MO call)
4: incoming (MT call)
5: waiting (MT call)

<mode> (teleservice) :

0 : voice
1: data
2: fax
9: unknown

<mpty> (multiparty)

0: call is not one of multiparty (conference) call parties
1: call is one of multiparty (conference) call parties

<number> string type phone number in format specified by <type>
<type> type of address byte in integer format
<alpha> optional string type alphanumeric representation of <number>,
corresponding to the entry found in phonebook. *(for UCS2 format see
commands examples +CLIP, +CCWA or +COLP)*

10.14 Supplementary service notifications +CSSN

10.14.1 Description :

This command refers to supplementary service related network initiated notifications.

10.14.2 Syntax :

Command syntax: AT+CSSN= <n>, <m>

Response syntax:

+CSSN: <n>, <m> *(for AT+CSSN?)*
OK
+CSSN: (0-1), (0-1) *(for AT+CSSN=?)*
OK

When <n>=1 and a supplementary service notification is received after a mobile originated call setup, intermediate result code +CSSI:<code1>[,<index>] is sent before any other MO call setup result codes.

When $\langle m \rangle = 1$ and a supplementary service notification is received during a call, unsolicited result code **+CSSU: <code2> [, <index> [, <number> , <type>]]** is sent.

| Command | Possible responses |
|------------|--------------------------|
| AT+CSSN=,1 | OK |
| AT+CSSN? | +CSSN: 0,1 OK |
| AT+CSSN=? | +CSSN: (0-1),(0-1) OK |

10.14.3 Defined values

$\langle n \rangle$ (parameter sets/shows the +CSSI result code presentation status) :

0: disable

1: enable

$\langle m \rangle$ (parameter sets/shows the +CSSU result code presentation status) :

0 : disable

1 : enable

$\langle \text{code1} \rangle$

4: closed User Group call, with CUG $\langle \text{index} \rangle$

5: outgoing calls are barred

6: incoming calls are barred

7: CLIR suppression rejected

$\langle \text{code2} \rangle$

1: closed User Group call, with CUG $\langle \text{index} \rangle$

2: call has been put on hold (during a voice call, $\langle \text{number} \rangle$ & $\langle \text{type} \rangle$ fields may be present)

3: call has been retrieved (during a voice call, $\langle \text{number} \rangle$ & $\langle \text{type} \rangle$ fields may be present)

4: multiparty call entered (during a voice call, $\langle \text{number} \rangle$ & $\langle \text{type} \rangle$ fields may be present)

5: call on hold has been released (during a voice call)

7: call is being connected (alerting) with the remote party in alerting state in Explicit Call Transfer operation (during a voice call)

8: call has been connected with the other remote party in Explicit Call Transfer operation (during a voice call, $\langle \text{number} \rangle$ & $\langle \text{type} \rangle$ fields may be present)

$\langle \text{index} \rangle$ Closed User Group index

$\langle \text{number} \rangle$ String type phone number

$\langle \text{type} \rangle$ Type of address

10.15 Unstructured supplementary service data +CUSD

10.15.1 Description :

The USSD supplementary service is described in GSM 02.90.

It is based on sequences of digits which may be entered by a mobile user with a handset. A sequence entered is sent to the network which replies with an alphanumerical string, for display only, or for display plus request for the next sequence.

This command is used to:

- enable or disable the CUSD indication sent to the application by the product when an incoming USSD is received
- send and receive USSD strings

10.15.2 Syntax :

Command syntax : AT+CUSD = <n> [,<str> [<dc>]]

Note : in case of enabled presentation, a +CUSD (as direct answer to a send USSD) is then indicated with :

+CUSD: <m> [,<str>,<dc>]

10.15.3 Defined values :

<n>

0 : Disable the result code presentation

1 : Enable the result code presentation

2 : Cancel session (not applicable to read command response)

<m>

0: no further user action required (network initiated USSD-Notify, or no further information needed after mobile initiated operation)

1: further user action required (network initiated USSD-Request, or further information needed after mobile initiated operation)

2: USSD terminated by network

4: Operation not supported

<str>: network string (name), converted in the selected character set

<dc> : the data coding scheme received (GSM TS 03.38).

10.15.4 Syntax To send and receive USSD :

Command syntax: AT+CUSD= <n> [,<str> [,<dc>]]

Note : Please, be aware that the send USSD command needs the user to re-enter the <n> parameter !

10.15.5 Defined values To send and receive USSD :

<str> is the USSD string to be sent.

<dc> the default alphabet and the UCS2 alphabet are supported.
When the product sends a USSD, an OK response is first returned, and the intermediate +CUSD indication comes subsequently.
In case of error, a "+CUSD:4" indication is returned.

10.16 Closed user group +CCUG

10.16.1 Description :

The Closed User Group Supplementary Service enables subscribers to form groups with restricted access (both access to and from).
The CUG supplementary service is described in GSM 02.85. This service is provided on prior arrangement with the service provider. Subscription options should be selected at implementation.

The +CCUG command is used to:

- activate/deactivate the control of CUG information for all following outgoing calls,
- select a CUG index,
- suppress outgoing access (OA). OA allows or not a member of a CUG to place calls outside the CUG.
- suppress the preferential CUG. Preferential is the default CUG used by the network when it does not receive an explicit CUG index.

10.16.2 Syntax :

Command syntax: AT+CCUG = <n> [,<index> [<info>]]

10.16.3 Defined values :

<n>

0 : Disable CUG mode (default)

1 : Enable CUG mode

<index>

0-9: CUG index (0 default),

10: Preferred CUG

<info>

0: No information (default)

1: Suppress OA

2: Suppress preferential CUG

3 : Suppress OA and preferential CUG

Remark : to activate the control of the CUG information by call, add [G] or [g] to the ATD command. In this case, index and info values will be used.

11 Data commands

11.1 Using AT Commands during a data connection

To use AT Commands during a data connection (e.g. while the product is in online mode), it is necessary either to switch to offline mode, or to use the specific **+WMUX** command to enable Commands / Data multiplexing.

11.1.1 Switch from online to offline mode

To switch from online mode to offline mode, the “+++” sequence must be sent. Following this, the product gets back to offline mode with an “OK” response, and a AT command can be sent.

Note : the “+++” sequence will only work with the **+ICF** command using one of the following settings:

- 8 data bits, with no parity
- 7 data bits, with even parity

11.1.2 Switch from offline to online mode

See the **ATO** command description.

11.2 Bearer type selection **+CBST**

11.2.1 Description :

This command applies to both **outgoing** and **incoming data calls**, but in a different way. For an outgoing call, the two parameters (e.g. **<speed>** and **<ce>**) are meaningful, whereas for an incoming call, only the **<ce>** parameter is used.

Note 1) For incoming calls, if **<ce>** is set to ‘T’ only and the network offers only ‘NT’ or vice versa, then the call is released.

Note 2) Values 2 and 3 for **<ce>** parameter are equivalent to former values 100 and 101. Those values are managed for compatibility purpose, but they shouldn’t be used in new code (2 as former 100, and 3 as former 101).

11.2.2 Syntax :

Command syntax: AT+CBST= <speed>, <name>, <ce>

| Command | Possible responses |
|--|--|
| AT+CBST=? <i>Note : Test command</i> | +CBST: (0-8,65,66,68,70,71),(0),(0-3) OK <i>Note : Data 14,4 kbps not supported</i> |
| AT+CBST=? <i>Note : Test command</i> | +CBST: (0-8,12,14,65,66,68,70,71,75),(0),(0-3) OK <i>Note : Data 14,4 kbps supported</i> |
| AT+CBST=7,0,1 <i>Note : Ask for a bearer</i> | OK <i>Note : Bearer supported</i> |
| AT+CBST? <i>Note : Current values</i> | +CBST:7,0,1 OK <i>Note : Command valid</i> |
| AT+CBST=81,0,0 <i>Note : Ask for a bearer</i> | +CME ERROR : 4 <i>Note : Bearer not supported</i> |

11.2.3 Defined values :

<speed>

| | |
|--------------|---------------------------------|
| 0 (default): | Autobauding (modem type : none) |
| 1: | 300 bps (modem type: V.21) |
| 2: | 1200 bps (modem type: V.22) |
| 3: | 1200/75 bps (modem type: V.23) |
| 4: | 2400 bps (modem type: V.22bis) |
| 5: | 2400 bps (modem type: V.26ter) |
| 6: | 4800 bps (modem type: V.32) |
| 7: | 9600 bps (modem type: V.32) |
| 8: | Specific |
| 12: | 9600 bps (modem type: V.34) |
| 14(*): | 1400 bps (modem type : V.34) |
| 65: | 300 bps (modem type: V.110) |
| 66: | 1200 bps (modem type: V.110) |
| 68: | 2400 bps (modem type: V.110) |
| 70: | 4800 bps (modem type: V.110) |
| 71: | 9600 bps (modem type: V.110) |
| 75(*): | 14400 bps (modem type: V.110) |

(*)This speed configures data and fax 14.4 kbps bearers.

<name>

No data compression is provided and only asynchronous modem is supported :
<name> = 0.

<ce> : Connection element

<ce>

| | |
|--------------|---------------------------|
| 0: | Transparent only |
| 1(default) : | Non transparent only |
| 2: | Transparent preferred |
| 3: | Non transparent preferred |

11.3 Select mode +FCLASS

11.3.1 Description

This command sets the product into a particular operating mode (data or fax).

11.3.2 Syntax :

Command syntax: AT+FCLASS= <n>

| Command | Possible responses |
|---|---|
| AT+FCLASS=? <i>Note : Test command</i> | +FCLASS: (0,1) OK <i>Note : Fax class 2 not supported</i> |
| AT+FCLASS=? <i>Note : Test command</i> | +FCLASS: (0,1,2) OK <i>Note : Fax class 2 supported</i> |
| AT+FCLASS=0 <i>Note : Data mode requested</i> | OK <i>Note : Command valid</i> |
| AT+FCLASS=1 <i>Note : Fax class 1 mode requested</i> | OK <i>Note : Command valid</i> |
| AT+FCLASS? <i>Note : Current value</i> | +FCLASS: 1 OK <i>Note : Command valid</i> |

11.3.3 Defined values :

<n>

0: Data

1: Fax class 1

2: Fax class 2

11.4 Service reporting control +CR

11.4.1 Description :

This command enables a detailed type of service reporting in the case of **incoming or outgoing data calls**. Before sending the CONNECT response to the application, the product will specify the type of data connection that has been set up.

These report types are :

| | |
|----------------|----------------------------------|
| +CR: ASYNC | For asynchronous transparent |
| +CR: REL ASYNC | For asynchronous non-transparent |

11.4.2 Syntax :

Command syntax : AT+CR=<mode>

| Command | Possible responses |
|--|-----------------------------------|
| AT+CR=0 <i>Note : Extended reports disabled</i> | OK <i>Note : Command valid</i> |
| AT+CR=1 <i>Note : Extended reports enabled</i> | OK <i>Note : Command valid</i> |
| AT+CR? | +CR: 1 OK |
| AT+CR=? | +CR: (0,1) OK |

11.4.3 Defined values:

<mode>:

0: disable extended reports

1: enable extended reports

11.5 Cellular result codes +CRC

11.5.1 Description :

This command allows more detailed ring information for an **incoming call** (voice or data). Instead of the string "RING", an extended string is used to indicate which type of call is ringing (e.g. +CRING: VOICE).

These extended indications are:

| | |
|-------------------|----------------------------------|
| +CRING: ASYNC | for asynchronous transparent |
| +CRING: REL ASYNC | for asynchronous non-transparent |
| +CRING: VOICE | for normal speech. |
| +CRING : FAX | for fax calls |

11.5.2 Syntax :

Command syntax : AT+CRC=<mode>

| Command | Possible responses |
|---|-----------------------------------|
| AT+CRC=0 <i>Note : Extended reports disabled</i> | OK <i>Note : Command valid</i> |
| AT+CRC=1 <i>Note : Extended reports enabled</i> | OK <i>Note : Command valid</i> |
| AT+CRC? | +CRC: 1 OK |
| AT+CRC=? | +CRC: (0,1) OK |

11.5.3 Defined values:

<mode>:

0: disable extended reports
 1: enable extended reports

11.6 DTE-DCE local rate reporting +ILRR

11.6.1 Description :

This parameter controls whether the extended-format "+ILRR:<rate>" information text is transmitted from the DCE to the DTE or not. The <rate> value reported represents the current (negotiated or renegotiated) DTE-DCE speed rate.

If enabled, the intermediate result code is transmitted in an **incoming or outgoing data call**, after any data compression report, and before any final result code (CONNECT).

11.6.2 Syntax :

Command syntax : AT+ILRR = <value>

| Command | Possible responses |
|--|-----------------------------------|
| AT+ILRR=0 <i>Note : Local port rate report disabled</i> | OK <i>Note : Command valid</i> |
| AT+ILRR=1 <i>Note : Local port rate report enabled</i> | OK <i>Note : Command valid</i> |
| AT+ILRR? | +ILRR: 1 OK |
| AT+ILRR=? | +ILRR: (0,1) OK |

11.6.3 Defined values:

<value>:

0: disable local port rate report
 1: enable local port rate report

<rate> can take the following values: 300, 600, 1200, 2400, 4800, 9600, 19200, 38400, 57600, 115200 (kbps).

11.7 Radio link protocol parameters +CRLP

11.7.1 Description :

This command modifies the radio link protocol parameters used for **non transparent data transmission**.

11.7.2 Syntax :

Command syntax: AT+CRLP=<iws>,<mws>,<T1>,<N2>,<ver>

| Command | Possible responses |
|--|---|
| AT+CRLP=? <i>Note : Test command</i> | +CRLP: (0-61),(0-61),(40-255),(1,255),(0) OK <i>Note : V42bis not supported</i> |
| AT+CRLP=? <i>Note : Test command</i> | +CRLP: (0-61),(0-61),(40-255),(1,255),(0,1) OK <i>Note : V42bis supported</i> |
| AT+CRLP=61,61,48,6,0 <i>Note : Set new parameters</i> | OK <i>Note : Command valid</i> |
| AT+CRLP? <i>Note : Current values</i> | AT+CRLP: 61,61,48,6,0 <i>Note : Command valid</i> |

11.7.3 Defined values :

<iws> : Down window size, (default is 61)
Range 0 to 61

<mws> : Up window size, (default is 61)
Range 0 to 61

<T1> : Acknowledgement timer in units of 10ms, (default is 48)
Range 40 to 255

<N2> : Retransmission attempts, (default is 6),
Range 1 to 255

<ver> : Version number.
0 : V42bis is not supported.
1 : V42bis is supported

11.8 Others radio link parameters +DOPT

11.8.1 Description :

This Wavecom specific command modifies some supplementary radio link protocol parameters.

11.8.2 Syntax :

Command syntax: AT+DOPT=<reset_allowed>,<dtx_allowed>

| Command | Possible responses |
|---|---|
| AT+DOPT=1 <i>Note : Set new parameters (2nd value is the default one)</i> | OK <i>Note : Command valid</i> |
| AT+DOPT=? <i>Note : Test command</i> | (0,1),(0,1) OK <i>Note : DTX is supported</i> |
| AT+DOPT=1,1 <i>Note : Set new parameters</i> | OK <i>Note : Command valid</i> |
| AT+DOPT? <i>Note : Current values</i> | 1,1 OK <i>Note : Command valid</i> |

11.8.3 Defined values :

<reset_allowed>

0 : Data communication is hung up in case of bad radio link.

1 : Data communication is held, even in case of bad radio link (**possible loss of data**). Default value

< dtx_allowed >

0 : Normal mode

1 : Economic battery mode (not supported by all networks), default value

11.9 Select data compression %C

11.9.1 Description :

This command enables or disables data compression negotiation if this feature is supported by the product.

11.9.2 Syntax :

Command syntax : AT%C<n>

| Command | Possible responses |
|--------------------------------------|--|
| AT%C0 <i>Note : Command</i> | OK <i>Note : Feature supported</i> |
| AT%C2 <i>Note : Command</i> | OK <i>Note : V42bis supported</i> |
| AT%C? <i>Note : Current value</i> | 2 OK <i>Note : Command valid</i> |

11.9.3 Defined values :

<n>

0 : no compression (default value)

2 : V42bis compression if supported

11.10 V42 bis data compression +DS

11.10.1 Description :

This command enables or disables V.42bis data compression if this feature is supported by the product.

11.10.2 Syntax :

Command syntax : AT+DS=<dir>,<neg>,<P1>,<P2>

| Command | Possible responses |
|--|---|
| AT+DS=? <i>Note : Test command</i> | +DS: (0-3),(0,1),(512-4096),(6-250) OK <i>Note:</i> |
| AT+DS=3,0,4096,250 <i>Note : Set new parameters</i> | OK <i>Note : Command valid</i> |
| AT+DS? <i>Note : Current values</i> | +DS: 3,0,4096,250 OK <i>Note : Command valid</i> |

11.10.3 Defined values :

< dir >: specifies the desired direction(s) of operation of the data compression function; **from the DTE point of view**

0: Negotiated ... no compression

1: Transmit only

2: Receive only

3: Both directions, accept any direction (default value)

< **neg** >: specifies whether or not the DCE should continue to operate if the desired result is not obtained

0: Do not disconnect if V.42 bis is not negotiated by the remote DCE as specified in <dir> (default value)

1: Disconnect if V.42 bis is not negotiated by the remote DCE as specified in <dir>

< **P1** > : specifies the maximum number of dictionary entries that should be negotiated, (default is 4096)

Range 512 to 4096,

< **P2** > : specifies the maximum string length to be negotiated, (default is 20).

Range 6 to 250:

11.11 V42 bis data compression report +DR

11.11.1 Description :

This command determines whether or not the use of V42bis is allowed for an **incoming or outgoing data call**, if the feature is provided by the product.

The intermediate result code represents current DCE-DCE data compression type. The format of this result code is as follows:

| | |
|--------------|--|
| +DR: NONE | Data compression is not in use |
| +DR: V42B | Rec. V.42 bis is in use in both directions |
| +DR: V42B RD | Rec. V.42 bis is in use in receive direction only |
| +DR: V42B TD | Rec. V.42 bis is in use in transmit direction only |

The +DR intermediate result code, if enabled, is issued before the final result code, after the service report control +CR and before the +ILRR intermediate report.

11.11.2 Syntax :

Command syntax : AT+DR=<status>

| Command | Possible responses |
|--|---|
| AT+DR=? <i>Note : Test command</i> | +DR: (0,1) OK <i>Note :</i> |
| AT+DR=1 <i>Note : Reporting enabled</i> | OK <i>Note : Command valid</i> |
| AT+DR? <i>Note : Current value</i> | +DR: 1 OK <i>Note : Command valid</i> |

11.11.3 Defined values :

<status> : state of the V42bis enabling

0 : disabled (default value)

1 : enabled

11.12 Select data error correcting mode \N**11.12.1 Description :**

This command controls the preferred error correcting mode for a data connection, if the feature is provided by the product. It can only be used for **transparent data transmission**.

If the MNP2 feature is provided, the product authorizes MNP error correction mode.

11.12.2 Syntax :

Command syntax : AT\N<n>

| Command | Possible responses |
|--|--|
| AT\N0 <i>Note : no error correction</i> | OK |
| AT\N? <i>Note : Current value</i> | 0 OK <i>Note : Command valid</i> |
| AT\N4 | +CME ERROR: 3 |

11.12.3 Defined values :

<n>

0 : Disables error correction mode (default value)

5 : Selects MNP error correction mode

Note : +E prefixed commands of V.25 ter are not used.

12 Fax commands

The fax service provided by the product is class 1 compatible. However, only the core commands defined by ITU T.31 are supported. This means that commands such as AT+FAR, +FCC, etc. are not supported.

Autobauding must be enabled to set up the product for fax.

All commands described hereafter will return an ERROR response code if they are not issued during communication.

12.1 Transmit speed +FTM

12.1.1 Description :

This command sets the fax transmit speed.

12.1.2 Syntax :

Command syntax: AT+FTM=<speed>

| Command | Possible responses |
|--|--|
| AT+FTM=? <i>Note : Test command</i> | (24,48,72,73,74,96,97,98,121,122,145,146) OK <i>Note : Fax 14.4 kbps supported</i> |

12.1.3 Defined values :

<speed>

| | |
|------|--------------------------------------|
| 24: | 2400 bps (modem type: V.27ter) |
| 48: | 4800 bps (modem type: V.27ter) |
| 72: | 7200 bps (modem type: V.29) |
| 73: | 7200 bps (long) (modem type: V.17) |
| 74: | 7200 bps (short) (modem type: V.17) |
| 96: | 9600 bps (modem type: V.29) |
| 97: | 9600 bps (long) (modem type: V.17) |
| 98: | 9600 bps (short) (modem type: V.17) |
| 121: | 12000 bps (long) (modem type: V.17) |
| 122: | 12000 bps (short) (modem type: V.17) |
| 145: | 14400 bps (long) (modem type: V.17) |
| 146: | 14400 bps (short) (modem type: V.17) |

12.2 Receive speed +FRM

12.2.1 Description :

This command sets the fax receive speed.

12.2.2 Syntax :

Command syntax: AT+FRM=<speed>

| Command | Possible responses |
|--|--|
| AT+FRM=? <i>Note : Test command</i> | (24,48,72,73,74,96,97,98,121,122,145,146) OK <i>Note : Fax 14.4 kbps supported</i> |

12.2.3 Defined values :

The speed values are identical to those of the +FTM command (see 12.1.3).

12.3 HDLC transmit speed +FTH**12.3.1 Description :**

This command sets the fax transmit speed, using the HDLC protocol.

12.3.2 Syntax :

Command syntax: AT+FTH=<speed>

| Command | Possible responses |
|--|----------------------------|
| AT+FTH=? <i>Note : Test command</i> | (3) OK <i>Note :</i> |

12.3.3 Defined values :

<speed>

3 : V.21 channels 300 bps.

12.4 HDLC receive speed +FRH**12.4.1 Description :**

This command sets the fax receive speed, using the HDLC protocol.

12.4.2 Syntax :

Command syntax: AT+FRH=<speed>

| Command | Possible responses |
|--|----------------------------|
| AT+FRH=? <i>Note : Test command</i> | (3) OK <i>Note :</i> |

12.4.3 Defined values :

<speed>

3 : V.21 channels 300 bps.

12.5 Stop transmission and wait +FTS**12.5.1 Description :**

This command stops transmission for the specified period.

12.5.2 Syntax :

Command syntax: AT+FTS=<n>

| Command | Possible responses |
|--|-----------------------------------|
| AT+FTS=? <i>Note : Test command</i> | (0-255) OK <i>Note :</i> |
| AT+FTS=50 <i>Note : Stops transmission and waits for 0.5s</i> | OK <i>Note : Command valid</i> |

12.5.3 Defined values :

<n> : silence period (unit is 10 ms).

12.6 Receive silence +FRS**12.6.1 Description :**

This command causes the modem to stop listening to the network and report back to the DTE after the specified period.

It is aborted if any character is received from the application.

12.6.2 Syntax :

Command syntax: AT+FRS=<n>

| Command | Possible responses |
|--|-----------------------------------|
| AT+FRS=? <i>Note : Test command</i> | (0-255) OK <i>Note :</i> |
| AT+FRS=50 <i>Note : Stops transmission and waits for 0.5s</i> | OK <i>Note : Command valid</i> |

12.6.3 Defined values :

<n> : no-listening period (units is 10 ms).

12.7 Setting up the PC fax application:

The recommended fax application is *Delrina WinFax v8.0*.

It should be configured as follows (menu Setup/Fax Modem Setup):

- Port: any com
- Model: Generic Class 1 (hardware flow control). A generic class 1 with software flow control can also be selected.
- Init: default string is suitable for the product
- Reset: default string is suitable for the product
- Maximum Transmit Rate: 9600 baud (if higher, rate will be automatically cut back to 9600 baud).

Other settings are of no relevance for the GSM unit : they can be modified.

13 Fax class 2 commands

If the feature is supported, the commands +FDT, +FDR, +FET, +FPTS and +FK must be used during call only.

The other commands, +FBOR, +FBUF, +FCQ, +FCR, +FDCC, +FDIS, +FLID and +FPHCTO, cannot be used during call.

13.1 Transmit Data +FDT

13.1.1 Description :

This command prefixes data transmission.

13.1.2 Syntax :

Command syntax: AT+FDT

13.1.3 Defined values :

No parameter

13.2 Receive Data +FDR

13.2.1 Description :

This command initiates data reception.

13.2.2 Syntax :

Command syntax : AT+FDR

13.2.3 Defined values :

No parameter

13.3 Transmit page punctuation +FET

13.3.1 Description :

This command punctuates page and document transmission after the +FDT command. It indicates that the current page is complete, and if there are additional pages to send.

13.3.2 Syntax :

Command syntax: AT+FET=<ppm>

The remote station should respond with +FPTS:<ppr>

13.3.3 Defined values :

<ppm>

0: Another page next, same document

1: Another document next

2: No more pages or documents

3: Another partial page next

4: Another page, procedure interrupt

5: Another document, procedure interrupt

6: All done, procedure interrupt

13.4 Page transfer status parameters +FPTS**13.4.1 Description :**

This command sets post page transfer response.

13.4.2 Syntax :

Command syntax: AT+FPTS=<ppr>

13.4.3 Defined values :

<ppr>

1: Page good

2: Page bad ; retry requested

3: Page good ; retrain requested

4: Page bad ; interrupt requested

5: Page good ; interrupt requested

13.5 Terminate Session +FK**13.5.1 Description :**

This command causes the product to terminate the session.

13.5.2 Syntax :

Command syntax: AT+FK

13.5.3 Defined values :

No parameter

13.6 Page transfer bit order +FBOR

13.6.1 Description :

This command sets the bit order for negotiation and fax page transfer. The order is related to the bit order or radio link.

13.6.2 Syntax :

Command syntax: AT+FBOR=<n>

| Command | Possible responses |
|---|------------------------------|
| AT+FBOR=? <i>Note : Test command</i> | (0-3) OK <i>Note :</i> |

13.6.3 Defined values :

| <n> | Bit order for negotiation | Bit order for page transfer |
|------------|---------------------------|-----------------------------|
| 0(default) | Same | Same |
| 1 | Same | Reverse |
| 2 | Reverse | Same |
| 3 | Reverse | Reverse |

13.7 Buffer size report +FBUF

13.7.1 Description :

This command requests the size of the exchange buffer between the modem and the fax application.

Note : Only the read command is supported.

13.7.2 Syntax :

Command syntax : AT+FBUF

| Command | Possible responses |
|---|---|
| AT+FBUF? <i>Note : Current value</i> | 1024 OK <i>Note : Command valid</i> |

13.7.3 Defined values :

No parameter

13.8 Copy quality checking +FCQ

13.8.1 Description :

This command controls Copy Quality checking for receiving faxes.

13.8.2 Syntax :

Command syntax: AT+FCQ=<n>

| Command | Possible responses |
|--|----------------------------|
| AT+FCQ=? <i>Note : Test command</i> | (0) OK <i>Note :</i> |

13.8.3 Defined values :

<n>

0 : default value, the only supported

13.9 Capability to receive +FCR

13.9.1 Description :

This commands controls the capability of the modem to accept incoming faxes.

13.9.2 Syntax :

Command syntax: AT+FCR=<n>

| Command | Possible responses |
|--|------------------------------|
| AT+FCR=? <i>Note : Test command</i> | (0,1) OK <i>Note :</i> |

13.9.3 Defined values :

<n>

0 : The modem will not accept incoming faxes.

1 : The modem will accept incoming faxes (default value).

13.10 Current sessions parameters +FDIS

13.10.1 Description :

This command allows the DTE to parameter the capabilities used for the current session.

13.10.2 Syntax :

Command syntax: AT+FDIS=<vr>,
,<wd>,<ln>,<df>,<ec>,<bf>,<st>

| Command | Possible responses |
|----------------------------|--|
| AT+FDIS=? <i>Note :</i> | (0,1),(0-5),(0-2),(0-2),(0-3),(0),(0),(0-7) OK <i>Note : Fax ECM not supported Fax 14,4 kbps supported</i> |
| | (0,1),(0-3),(0-2),(0-2),(0-3),(0),(0),(0-7) OK <i>Note : Fax ECM not supported Fax 14,4 kbps not supported</i> |

13.10.3 Defined values :

This command accepts eight numeric parameters (of the T30 standard).

<vr>: Vertical Resolution,

0 : Normal: 98 lpi (default value)

1 : Fine: 196 lpi

: Bit Rate,

0 : 2400 bps (modem type: V.27 ter)

1 : 4800 bps (modem type: V.27 ter)

2 : 7200 bps (modem type: V.29)

3 : 9600 bps (modem type: V.29, V.17). Default value if 14,4 kbps data feature IS NOT supported.

4(*) : 12000 bps (modem type: V.33, V.17)

5(*) : 14400 bps (modem type: V.33, V.17). Default value if 14,4 kbps data feature IS supported.

(*) Only when product supports 14,4 kbps data feature

<wd>: Page Width,

0 : 1728 pixels in 215 mm (default value)

1 : 2048 pixels in 255 mm

2 : 2432 pixels in 303 mm

<ln>: Page Length,

0 : A4, 297 mm

1 : B4, 364 mm

2 : Unlimited (default value)

<df> : Data Compression Format,

0 : 1-D modified Huffman (default value)

1 : 2-D modified read

2 : 2-D uncompressed mode

3 : 2-D modified modified read

<ec> : Error Correction,

0 : Disable Fax ECM. Default value if fax ECM feature IS NOT supported.

1(*) : Enable Fax ECM, 64 bytes/frame

2(*) : Enable Fax ECM, 256 bytes/frame. Default value if fax ECM feature IS supported.

(*) Only when product supports fax Error Correction Mode feature

<bf> : Binary File Transfer,

Only <bf> : 0 is supported.

<st> : Scan Time per line,

| <st> | Description if <vr>=0 | Description if <vr>=1 |
|-------------|-----------------------|-----------------------|
| 0 (default) | 0 ms | 0 ms |
| 1 | 5 ms | 5 ms |
| 2 | 10 ms | 5 ms |
| 3 | 10 ms | 10 ms |
| 4 | 20 ms | 10 ms |
| 5 | 20 ms | 20 ms |
| 6 | 40 ms | 20 ms |
| 7 | 40 ms | 40 ms |

13.11 DCE capabilities parameters +FDCC

13.11.1 Description :

This command allows the DTE to parameter the capabilities used for any session.

13.11.2 Syntax :

Command syntax: AT+FDCC=<vr>,
,<wd>,<ln>,<df>,<ec>,<bf>,<st>

| Command | Possible responses |
|--|--|
| AT+ FDCC=? <i>Note : Test command</i> | (0,1),(0-5),(0-2),(0-2),(0-3),(0-2),(0),(0-7) OK <i>Note : Fax ECM supported Fax 14,4 kbps supported</i> |
| | (0,1),(0-5),(0-2),(0-2),(0-3),(0),(0),(0-7) OK <i>Note : Fax ECM not supported Fax 14,4 kbps supported</i> |
| | (0,1),(0-3),(0-2),(0-2),(0-3),(0-2),(0),(0-7) OK <i>Note : Fax ECM supported Fax 14,4 kbps not supported</i> |
| | (0,1),(0-3),(0-2),(0-2),(0-3),(0),(0),(0-7) OK <i>Note : Fax ECM not supported Fax 14,4 kbps not supported</i> |

13.11.3 Defined values :

The parameters and default values are the same as for the +FDIS command (see 13.10.3).

13.12 Local ID string +FLID**13.12.1 Description :**

This command allows the local ID string to be defined.

13.12.2 Syntax :

Command syntax: AT+FLID="<string>"

| Command | Possible responses |
|---|---------------------|
| AT+FLID=? <i>Note : Test command</i> | (20),(32-127) OK |

13.12.3 Defined values :

<string>

The string has a limited size of 20 characters, and accepts any characters between 32 and 127 as ASCII codes..

13.13 Page transfer timeout parameter +FPHCTO**13.13.1 Description :**

This command sets the time interval during which the modem expects another page before it assumes there are no more pages and aborts.

13.13.2 Syntax :

Command syntax: AT+FPHCTO=<n>

| Command | Possible responses |
|---|--------------------|
| AT+FPHCTO=? <i>Note : Test command</i> | (0-255) OK |

13.13.3 Defined values :

<n> : waiting period for another page

Range : 0 to 255, default value is 30.

13.14 Fax Class 2 indication messages

The following messages are used to indicate DCE Responses. They are used in communication only.

+FCON:

This response indicates connection with a fax machine.

**+FDCS <vr>,
,<wd>,<ln>,<df>,<ec>,<bf>,<st>:**

This response reports current session capabilities. The parameters are the same than those of AT+FDIS command (see 13.10).

**+FDIS <vr>,
,<wd>,<ln>,<df>,<ec>,<bf>,<st>:**

This response reports remote capabilities. The parameters are the same than those of AT+FDIS command (see 13.10).

+FCFR:

This response indicates confirmation to receive.

+FTSI "<string>":

This response reports the received transmit station ID string.

+FCSI "<string>":

This response reports the received called station ID string.

+FPTS <ppr>:

This response reports received page transfer status. The parameter is the same than the one of AT+FPTS command (see 13.4).

+FET <ppm>:

This response reports post page message response. The parameter is the same than the one of AT+FET command (see 13.2.3).

+FHNG <cause>:

This response reports the hang-up cause. It indicates that the call has been terminated.

<cause>

0: Normal end of connection.

10: Unspecified transmit phase A error.

20: Unspecified transmit phase B error.

40: Unspecified transmit phase C error.

50: Unspecified transmit phase D error.

70: Unspecified receive phase B error.

90: Unspecified receive phase C error.

100: Unspecified receive phase D error.

14 V24-V25 commands

14.1 Fixed DTE rate +IPR

14.1.1 Description :

This commands specifies the data rate at which the DCE will accept commands.

Notes :

- Autobauding is supported (operating from 1200 to 38400 baud).
- Any AT command issued by the DTE must start with both capital 'A' and 'T' (or '/') or both lower case 'a' and 't' (or '/'), otherwise the DCE may return some garbage characters and become desynchronized. Should this happen, the DTE simply issues 'AT\r' (at 2400 or 4800 bauds) once or twice or just 'AT' (at 9600 bauds) to resynchronize the modem.
- The DTE waits for 1ms after receiving the last character of the AT response (which is always '\n' or 0x0A) to send a new AT command at either the same rate or a new rate. Should this delay be ignored, the DCE can become desynchronised. Once again, sending 'AT\r' once or twice or just 'AT' causes the DCE to recover.

Caution:

when starting up, if autobauding is enabled and no AT command has yet been received, the product sends all unsolicited responses (like RING) at 9600 bauds.

14.1.2 Syntax :

Command syntax : AT+IPR=<n> or AT+IPR=<m>

| Command | Possible responses |
|-------------------------------|--|
| AT+IPR? <i>Note :</i> | +IPR: 9600 OK <i>Note : Current rate is 9600 bps</i> |
| AT+IPR=? <i>Note :</i> | +IPR: (0,2400,4800,9600,19200), (300,600,1200,38400,57600,115200) OK <i>Note : Possible value (*)</i> |
| AT+IPR=38400 <i>Note :</i> | OK <i>Note : Disable autobauding and set rate to 38400 bps</i> |
| AT+IPR=0 <i>Note :</i> | OK <i>Note : Enable autobauding</i> |

14.1.3 Defined values:

<n> : range of auto-detectable speeds (bauds)

- 0
- 2400
- 4800
- 9600
- 19200

<m>: possible speeds that can be used by the DCE (bauds)

- 300
- 600
- 1200
- 38400
- 57600
- 115200

14.2 DTE-DCE character framing +ICF

14.2.1 Description :

This command is used to determine the local serial port start-stop (asynchronous) character framing used by the DCE.

14.2.2 Syntax :

Command syntax: AT+ICF= <format>[, <parity>]

| Command | Possible responses |
|-----------------------------|--|
| AT+ICF? <i>Note :</i> | +ICF: 3,4 OK <i>Note : Current values</i> |
| AT+ICF=? <i>Note :</i> | +ICF: (1-6),(0-4) OK <i>Note : Possible values</i> |
| AT+ICF=2,0 <i>Note :</i> | OK <i>Note : New values</i> |

14.2.3 Defined values:

<format>

- 0 : Autodetect (*not supported*)
- 1 : 8 Data 2 Stop (*supported*)
 <parity> parameter is ignored.
- 2 : 8 Data 1 Parity 1 Stop (*supported*)
 if no <parity> provided, 3 is used by default as <parity> value.
- 3 : 8 Data 1 Stop (*supported*)
 <parity> parameter is ignored.
- 4 : 7 Data 2 Stop (*supported*)
 <parity> parameter is ignored.

- 5 : 7 Data 1 Parity 1 Stop (*supported*)
if no **<parity>** provided, 3 is used by default as **<parity>** value.
- 6 : 7 Data 1 Stop (*supported*)
<parity> parameter is ignored.

<parity>

- 0 : Odd (*supported*)
- 1 : Even (*supported*)
- 2 : Mark (*supported*)
- 3 : Space (*supported*)
- 4 : None (*supported*)

Notes :

- Setting a character framing different from 8N1 will disable autobauding if it was activated. Setting it back to 8N1 **will not** re-enable autobaud.
- Setting the framing to 8N1 will let the autobauding enabled, if it was already enabled (implying framing was already 8N1).

14.3 DTE-DCE local flow control +IFC

14.3.1 Description :

This command is used to control the operation of local flow control between the DTE and DCE.

14.3.2 Syntax :

Command syntax : AT+IFC=<DCE_by_DTE>,<DTE_by_DCE>

| Command | Possible responses |
|-----------------------------|--|
| AT+IFC? <i>Note :</i> | +IFC: 2,2 OK <i>Note : Current values</i> |
| AT+IFC=? <i>Note :</i> | +IFC: (0,2),(0,2) OK <i>Note : Possible values</i> |
| AT+IFC=0,0 <i>Note :</i> | OK <i>Note : New values</i> |

14.3.3 Defined values :

< DCE_by_DTE >

- 0 : none (*supported*)
- 1 : Xon/Xoff local circuit 103 (*not supported*)
- 2 : RTS (*supported*)
- 3 : Xon/Xoff global on circuit 103 (*not supported*)

Important note:

when this parameter is set to 2 (DTE invokes flow control through RTS) DCE behaviour is as follows:

If the DCE has never detected RTS in the high (or ON) condition since startup, then it ignores RTS (assuming this signal is not connected). As soon as the DCE detects RTS high the signal acts on it. Therefore subsequent RTS transition to OFF will prevent the DCE from sending any further data in both online and offline modes.

This behaviour allows the user to use the default settings (hardware flow control) and leave RTS disconnected. In the case where RTS is connected and is high at least once, it acts on the DCE.

< DTE_by_DCE >

0 : none (*supported*)

1 : Xon/Xoff circuit 104 (*not supported*)

2 : CTS (*supported*)

When this parameter is set to 0 (none) then CTS is kept high all the time.

14.4 Set DCD signal &C

14.4.1 Description :

This commands controls the Data Carrier Detect (DCD) signal.

14.4.2 Syntax :

Command syntax : AT&C<n>

| Command | Possible responses |
|---|-----------------------------------|
| AT&C0 <i>Note : DCD always on</i> | OK <i>Note : Command valid</i> |
| AT&C1 <i>Note : DCD matches state of the remote modem's data carrier</i> | OK <i>Note : Command valid</i> |

14.4.3 Defined values:

<n>

0 : DCD always on

1 : DCD matches state of the remote modem's data carrier

14.5 Set DTR signal &D

14.5.1 Description :

This commands controls the Data Terminal Ready (DTR) signal.

14.5.2 Syntax :

Command syntax : AT&D<n>

| Command | Possible responses |
|--|-----------------------------------|
| AT&D0 <i>Note : The DTR signal is ignored</i> | OK <i>Note : Command valid</i> |
| AT&D1 <i>Note : Modem switches from data to command mode when DTR switches from ON to OFF</i> | OK <i>Note : Command valid</i> |
| AT&D2 <i>Note : Upon DTR switch from ON to OFF, the call is released</i> | OK <i>Note : Command valid</i> |

14.5.3 Defined values:

<n>

0 : The DTR signal is ignored

1 : Modem switches from data to command mode when DTR switches from ON to OFF

2 : Upon DTR switch from ON to OFF, the call is released

14.6 Set DSR signal &S

14.6.1 Description :

This commands controls the Data Set Ready (DSR) signal.

14.6.2 Syntax :

Command syntax : AT&S<n>

| Command | Possible responses |
|---|-----------------------------------|
| AT&S0 <i>Note : DSR always on</i> | OK <i>Note : Command valid</i> |
| AT&S1 <i>Note : DSR off in command mode, DSR on in data mode</i> | OK <i>Note : Command valid</i> |

14.6.3 Defined values:

<n>

0 : DSR always on

1 : DSR off in command mode, DSR on in data mode

14.7 Back to online mode O

14.7.1 Description

If a connection has been established and the ME is in command mode, this command allows you to return to online data mode.

14.7.2 Syntax

Command syntax : ATO

| Command | Possible responses |
|---|--------------------|
| ATO <i>Return from offline mode to online mode</i> | OK |

14.7.3 Defined values :

No parameter

14.8 Result code suppression Q

14.8.1 Description :

This command determines whether the mobile equipment sends result codes or not

14.8.2 Syntax :

Command syntax : ATQ<n>

| Command | Possible responses |
|---|-----------------------------------|
| ATQ0 <i>Note : DCE transmits result codes</i> | OK <i>Note : Command valid</i> |
| ATQ1 <i>Note : Result codes are suppressed and not transmitted</i> | <i>Note : No response</i> |

14.8.3 Defined values :

<n>

0 : DCE transmits result codes

1 : Result codes are suppressed and not transmitted

14.9 DCE response format V

14.9.1 Description :

This command determines whether the DCE response format uses or not the header characters <CR><LF>, and the result codes are provided as numeric or verbose.

14.9.2 Syntax :

Command syntax : ATV<n>

| Command | Possible responses |
|---|--|
| ATV0 <i>Note : DCE transmits limited headers and trailers and numeric result codes</i> | 0 <i>Note : Command is valid (0 means OK)</i> |
| ATV1 <i>Note : DCE transmits full headers and trailers and verbose response text</i> | OK <i>Note : Command valid</i> |

14.9.3 Defined values :

| | <n>=0 | <n>=1 |
|-----------------------|--------------------|------------------------------------|
| Information responses | <text><CR><LF> | <CR><LF> <text><CR><LF> |
| Result codes | <numeric code><CR> | <CR><LF> <verbose code><CR><LF> |

14.10 Default configuration Z

14.10.1 Description :

This command restores the configuration profile. Any call is released.

14.10.2 Syntax :

Command syntax : ATZ

| Command | Possible responses |
|----------------------|-----------------------------------|
| ATZ <i>Note :</i> | Ok <i>Note : Command valid</i> |

14.10.3 Defined values :

No parameter

14.11 Save configuration &W

14.11.1 Description :

This commands writes the active configuration to a non-volatile memory (EEPROM). Description of the stored parameters is given in appendix [Parameters storage](#) (§19.10)

14.11.2 Syntax :

Command syntax : AT&W

| Command | Possible responses |
|--|-----------------------------------|
| AT&W <i>Note : Writes current configuration to EEPROM</i> | OK <i>Note : Command valid</i> |

14.11.3 Defined values :

No parameter

14.12 Auto-tests &T

14.12.1 Description :

This command allows to trigger various auto-tests.

14.12.2 Syntax :

Command syntax : AT&T<n>

| Command | Possible responses |
|--|---|
| AT&T0 <i>Note : Perform software auto-tests</i> | OK <i>Note : No software problem detected, all checksums are correct</i> |
| AT&T1 <i>Note : Do the audio loop test (close)</i> | OK <i>Note : Command valid</i> |
| AT&T2 <i>Note : Stop the audio loop test (open)</i> | OK <i>Note : Command valid</i> |

14.12.3 Defined values :

<n>

0 : Perform software auto-tests

The response will be OK if no software problem is detected (EEPROM, RAM and ROM checksums), otherwise a simple ERROR response is sent.

1 : Do the audio loop test (close)

This is used to validate the audio loop (microphone to speaker).

2 : Stop the audio loop test (open)

This is used to validate the audio loop (microphone to speaker).

14.13 Echo E

14.13.1 Description :

This command is used to determine whether the modem echoes characters received by an external application (DTE) or not.

14.13.2 Syntax :

Command syntax : ATE<n>

| Command | Possible responses |
|---|--------------------------|
| ATE0 <i>Note : Characters are not echoed</i> | OK <i>Note : Done</i> |
| ATE1 <i>Note : Characters are echoed</i> | OK <i>Note : Done</i> |

14.13.3 Defined values :

<n>

0 : Characters are not echoed

1 : Characters are echoed

14.14 Restore factory settings &F

14.14.1 Description :

This command is used to restore the factory settings from EEPROM.

It only restores the parameters that can be found in table 19.10 ([Parameters storage](#)) with AT&F column checked. Those parameters are restored in RAM and in E2P, overwriting the profile set with AT&W.

14.14.2 Syntax :

Command syntax : AT&F[<n>]

| Command | Possible responses |
|--|--------------------------|
| AT&F <i>Note : Ask for restoring the factory settings</i> | OK <i>Note : Done</i> |
| AT&F0 <i>Note : idem</i> | OK <i>Note : Done</i> |

14.14.3 Defined values :

<n>

0 : restore factory setting

No other value supported

14.15 Display configuration &V

14.15.1 Description

This command is used to display the modem configuration.

14.15.2 Syntax :

Command syntax : AT&V<n>

The parameters displayed are the following :

Q:val1, V:val2, S0:val3, S2:val4, S3:val5, S4:val6, S5:val7,
 +CR:val8, +CRC:val9, +CMEE:val10, +CBST:val11,
 +SPEAKER:val12, +ECHO:val13, &C:val14, &D:val15, %C:val16
 +IPR:val17, +ICF:val18, +IFC:val19

| Command | Possible responses |
|--|--|
| AT&V <i>Note : Display active parameters in RAM</i> | Q:0 V:1 S0:000 S2:043 S3:013 S4:010 S5:008 +CR:0 +CRC:0 +CMEE:0 +CBST:0,0,1 +SPEAKER:0 +ECHO:0,0 &C:1 &D:2 %C:0 +IPR:9600 +ICF:3,4 +IFC:2,2 OK <i>Note : Done</i> <i>For Echo the first value corresponds to Echo cancellation 1.</i> |

14.15.3 Defined values :

<n>

0 : Display the modem configuration in RAM. (default value if no parameter provided)

1 : Display the modem configuration in EEPROM.

2 : Display the modem factory configuration.

14.16 Request identification information I

14.16.1 Description :

This command causes the product to transmit one or more lines of specific information text.

14.16.2 Syntax :

Command syntax : ATI<n>

| Command | Possible responses |
|--|--|
| ATIO <i>Note : Manufacturer and model identifications</i> | WAVECOM MODEM 900P OK <i>Note : GSM 900 MHz primary band</i> |
| ATI3 <i>Note : Revision identification</i> | 440_09gm.Q2406A 1266500 020503 17:06 OK <i>Note : Software release 4.40, generated on the 05th of February 2003</i> |
| ATI6 <i>Note : Modem data features</i> | DATA RATES: AUTOBAUD,300,1200,1200/75,2400,4800,9600,14400 DATA MODES : T/NT,ASYNCHRONOUS FAX CLASS 1,2 OK <i>Note : Done</i> |
| ATI7 <i>Note : Modem voice features</i> | SPEECH CODINGS: FR,EFR,HR OK <i>Note : Done</i> |

14.16.3 Defined values :

<n>

0 : Display manufacturer followed by model identification.
(equivalent to +CGMI and +CGMM).

3 : Display revision identification
(equivalent to +CGMR).

4 : Display modem configuration in RAM
(equivalent to &V0).

5 : Display modem configuration in EEPROM
(equivalent to &V1).

6 : Display modem data features.

Lists the supported data rates, data modes, and fax classes.

7 : Display modem voice features.

Other values : "OK" string is sent back.

14.17 Data / Commands Multiplexing +WMUX

14.17.1 Description

This **specific** command allows to manage the data / AT commands multiplexing mode. See appendix [19.13](#) for the [Data / Commands multiplexing protocol](#) description.

14.17.2 Syntax

Command syntax AT+WMUX=<mode>

| Command | Possible responses |
|---|--|
| AT+WMUX=? | +WMUX: (0-1) OK |
| AT+WMUX? | +WMUX: 0 OK <i>Note : Data / Commands multiplexing disabled.</i> |
| AT+WMUX=1 <i>Note : Enable Data / Commands multiplexing.</i> | OK |

14.17.3 Defined values

<mode>

0: Multiplexing disabled. When the product is online (data communication in progress), no AT command can be used (default).

1: Multiplexing enabled. Data flows and AT commands are multiplexed while in online mode (data communication in progress).

15 Specific AT commands

15.1 Cell environment description +CCED

15.1.1 Description :

This command can be used by the application to retrieve the parameters of the main cell and of up to six neighbouring cells.

There are two possible methods for the external application to ascertain these cell parameters :

- on request by the application or
- automatically by the product every 5 seconds.

Automatic mode is not supported during registration.

15.1.2 Syntax :

Command syntax: AT+CCED=<mode>[, <requested dump>]

| Command | Possible responses |
|---|---|
| AT+CCED=0 | +CCED: 208,20,0002,0418,37,706,24,,,0,,,0,208 ,20,0006,989b,37,835,20,208,20,0002 ,02a9,37,831,12,208,20,0101,7966,34, 818,13,208,20,0006,9899,39,713,9,208 ,20,0002 ,0a72,33,711,12,208,20,0101,03fb,36,8 24,10,1 OK |
| AT+CCED=0,1 <i>Note : Only Main cell request</i> | +CCED: 208,20,0002,0418,37,706,25,,,0,,,0 OK |

15.1.3 Defined values :

<mode>

- 0 : One shot requested
- 1 : Automatic shots requested
- 2 : Stop automatic shots

<requested dump>

1 : Main Cell :

- if the Cell Identity is available
MCC, MNC, LAC, CI, BSIC, BCCH Freq (absolute), RxLev, RxLev Full, RxLev Sub, RxQual, RxQual Full, RxQual Sub, Idle TS
- if the Cell Identity is not available

- MCC, MNC, LAC, BSIC, BCCH Freq (absolute), RxLev, RxLev Full, RxLev Sub, RxQual, RxQual Full, RxQual Sub, Idle TS
- 2 : Neighbour1 to Neighbour6 :
- **if the Cell Identity is available**
MCC, MNC, LAC, CI, BSIC, BCCH Freq (absolute), RxLev
 - **if the Cell Identity is not available**
MCC, MNC, LAC,, BSIC, BCCH Freq (absolute), RxLev
- 4 : Timing Advance

Notes :

- Combination (addition of the values) of the requested dump is supported.
- Note that in idle mode, only RxLev measurements (on the main cell and on the neighbouring cells) are made. The value of these RxLev is set in the RxLev Full field for the main cell.
The response will be:
+CCED :<value1>, ... , <valuen>
OK
- Where <value> is the ASCII string of the values (in decimal form except the LAC and CI values which are in hexadecimal form) of the parameters. If a field cannot be measured – or is meaningless – the parameter is not filled in (two consecutive commas are sent).
If the <requested dump> parameter is not provided, the one of the last +CCED command (or 15 by default) will be used.
Values of MCC/MNC are set to 0 in the case of “No service”.

15.2 Automatic RxLev indication +CCED

15.2.1 Description :

The CCED command has been extended to indicate the *received signal strength indication* (rssi) of the main cell. Its principle did not changed.

15.2.2 Syntax :

Command Syntax: AT+CCED=<mode>[, <requested dump>]

15.2.3 Defined values :

<mode>

- 0 : One shot requested
1 : Automatic shots requested
2 : Stop automatic shots

<requested dump>

- 8 : Main cell RSSI indications (RxLev), in a range from 0 to 31

Note :

- The response will be a +CSQ response and not a +CCED response. The 07.07 format for +CSQ is respected. The <ber> is not evaluated by this command, so the <ber> value will always be 99.
 +CSQ :<rsqi>, 99
 OK
- When automatic shots are selected, this +CSQ response is sent every time the <rsqi> measured by the product changes. Automatic shots are supported in idle mode and during communication.
- Combination (addition of the values) of the requested dump (1,2,4,8) are supported but the activation or deactivation of this flow (8) does not affect the other flows. Both +CCED and +CSQ responses may then be generated.
- If the <requested dump> parameter is absent, the last +CCED command parameter (or 15 by default) will be used.

15.3 General Indications +WIND

15.3.1 Description :

Wavecom has introduced a general mechanism to send unsolicited non-standardized indications to the application. These indications are:

- indication of a physical change on the SIM detect pin from the connector (meaning SIM inserted, SIM removed)
- indication during mobile originated call setup that the calling party is ringing.
- Indication of the availability of the product to receive AT commands after boot.

For each indication, a "bit flow" has to be indicated.

15.3.2 Syntax :

Command syntax: AT+WIND= <IndLevel >

| Command | Possible responses |
|--------------|---|
| AT+WIND? | +WIND: 0 OK |
| AT+WIND=255 | OK |
| Sim inserted | +WIND: 1 <i>Note: The SIM presence pin has been detected as "SIM inserted"</i> +WIND: 7 <i>Note: The network service is available for an emergency call.</i> |

The AT+WIND? command is supported and indicates the <allowed bit flows>. AT+WIND settings are automatically stored in non volatile memory (EEPROM).

This means the &W command does not need to be used and the selected flows are always activated after boot.

Default value is 0: no flow activated, no indication.

AT+WIND=? gives the possible value range (0-4095)

The unsolicited response will then be:

+WIND : <event> [,<idx>]

<idx>: Call identifier, defined in +CLCC command.

Or for event 10:

+WIND: <event>,<phonebook>,<status>,...,<phonebook>,<status>

Or for event 11:

+WIND: <event>,[“<checksum of SM>”],[“<checksum of FD>”],[“<checksum of ON>”],[“<checksum of SN>”] ,[“<checksum of EN>”],[“<checksum of LD>”]

15.3.3 Defined values :

<IndLevel>

0 : no unsolicited “+WIND: <IndNb>” will occur (default value)

1 (bit 0) : Hardware SIM Insert / Remove indications (Rack open/close) or SIM presence after software reset

2 (bit 1) : Calling party alert indication

4 (bit 2) : Product is ready to process AT commands (except phonebooks, AOC, SMS), but still in emergency mode.

8 (bit 3) : the product is ready to process all AT commands, at the end of init or after swapping to ADN in case of FDN configuration

16 (bit 4) : a new call identifier has been created (after an ATD command, +CCWA indication)

32 (bit 5) : an active, held or waiting call has been released by network or other party

64 (bit 6) : Network service available indication

128 (bit 7) : Network lost indication

256 (bit 8) : Audio ON indication

512 (bit 9) : SIM Phonebooks reload status

1024 (bit 10) : Sim phonebooks checksum indication

2048 (bit 11) : Interruption indication (only if FTR_INT is activated)

Combination (addition of the values) is used to allow more than one indication flow : $0 \leq \text{IndLevel} \leq 4095$

The response is OK if the values are in the previous range.

The supported events are:

<event>

0 : The SIM presence pin has been detected as “SIM removed”

1 : The SIM presence pin has been detected as “SIM inserted”

2 : Calling party is alerting

3 : Product is ready to process AT commands (except phonebooks, AOC, SMS), at init or after AT+CFUN=1

- 4 : Product is ready to process all AT commands, end of phonebook init or swap (FDN to ADN)
- 5 : Call <idx> has been created (after ATD or +CCWA...)
- 6 : Call <idx> has been released, after a NO CARRIER, a +CSSU: 5 indication, or after the release of a call waiting
- 7 : The network service is available for an emergency call.
- 8 : The network is lost.
- 9 : Audio ON.
- 10 : Show reload status of each SIM phonebook after init phase (after Power-ON or SIM insertion).
- 11 : Show the checksum of SIM phonebooks after loading
- 12 : An interruption has occurred

Or for event 10:

<phonebook> : SIM phonebook
"SM"
"FD"
"ON"
"SN"
"EN"

<status> :

0 : Not Reloaded from SIM (no change since last init or SIM removal)
1 : Reloaded from SIM to internal memory (at least one entry has changed)

Or for event 11:

<checksum> : 128-bit "fingerprint" of the phonebook.

Note: If the service of the phonebook is not loaded or not present, the checksum is not displayed and two comas without checksum are displayed (,,).

15.4 Analog digital converters measurements +ADC

15.4.1 Description:

This command gets the (DC level * 1024) of ADC A, ADC B, and possibly ADC C. These voltages are coded on 10 bits..

15.4.2 Syntax :

Command syntax : AT+ADC=<n>

Response syntax : +ADC: <ADCVaIA>,<ADCVaIB>[,<ADCVaIC>]

| Command | Possible responses |
|---|--|
| AT+ADC=? <i>Note : Ask for the list of possible values</i> | +ADC: (0-1) <i>Note : possible values 0 or 1</i> |
| AT+ADC=0 <i>Note : Select 2 converters (mode 0)</i> | OK <i>Note : 2 converters mode selected</i> |
| AT+ADC? <i>Note : Ask for the current values of converters in mode 0</i> | +ADC: 500,412 OK <i>Note : Adc A, Adc B on 10 bits</i> |
| AT+ADC=1 <i>Note : Select 3 converters (mode 1)</i> | OK <i>Note : 3 converters mode selected</i> |
| AT+ADC? <i>Note : Ask for the current values of converters in mode 1</i> | +ADC: 712,698,997 OK <i>Note: Adc A, Adc B, Adc C on 10 bits</i> |

15.4.3 Defined values:

<n>

0 : Select 2 converters

1 : Select 3 converters

<ADCValA>

ADC A value, coded on 10 bits. The value returned includes the resistor bridge. These values are updated every 10 seconds. Displayed on modes 0 and 1.

<ADCValB>

ADC B value, coded on 10 bits. Displayed on modes 0 and 1.

<ADCValC>

ADC C value, coded on 10 bits. Displayed only on mode 1.

15.5 Mobile Equipment event reporting +CMER

15.5.1 Description :

This command enables or disables sending of unsolicited result codes in the case of a key press.

15.5.2 Syntax :

Command Syntax: AT+CMER=<mode>,<key>,<disp>,<ind>,<bfr>

Response syntax (key press event report) : +CKEV : <key> , <press>

Response syntax (indicator event report) : +CIEV: <indresp>,<value>.

| Command | Possible responses |
|--|---|
| AT+CMER=,1 <i>Note : Ask key press event report</i> | OK |
| | +CKEV:12,1 +CKEV:12,0 <i>Note : Key 12 has been pressed and released.</i> |
| AT+CMER? | +CMER: 3,1,0,0,0 OK |

15.5.3 Defined values :

Important note : The parameters <mode>, <disp> and <bfr> are not handled.

<keyp> (keypad) :

0 : No keypad event reporting.

1 : Keypad event reporting are routed using unsolicited code. Only the key pressings not caused by +CKPD are indicated.

2 : Keypad event reporting are routed using unsolicited code. All key pressings are indicated.

Note: As AT software does not manage the emulation of key press, the values 1 and 2 lead to the same results.

<ind>

0 : no indicator event reporting

1 : indicator event reporting using unsolicited result code. Only the indicator events not caused by +CIND shall be indicated by the TA to the TE

2: indicator event reporting using unsolicited result code. All indicator events shall be directed from TA to TE

<key> : Keyboard map is (5,5)

| | | | | |
|----|----|----|----|----|
| 0 | 1 | 2 | 3 | 4 |
| 5 | 6 | 7 | 8 | 9 |
| 10 | 11 | 12 | 13 | 14 |
| 15 | 16 | 17 | 18 | 19 |
| 20 | 21 | 22 | 23 | 24 |

<press>

1: key press

0: key release

<indresp> : indicator order number (as specified for +CIND)

<value> : new value of the indicator

15.6 Indicator control +CIND

15.6.1 Description :

This command is used to set the values of ME indicators. If ME does not allow setting of indicators or ME is not currently reachable, an error code is returned.

15.6.2 Syntax :

Command Syntax: AT+CIND=[<ind>[,<ind>[,...]]]

Response syntax : +CIND: <descr>[,<descr>[,...]]

| Command | Possible responses |
|---|---|
| AT+CIND=[<ind>[,<ind>[,...]]] | +CME ERROR: <err> <i>Note : ME not reachable</i> |
| AT+CIND=[<ind>[,<ind>[,...]]] | OK |
| AT+CIND? <i>Note: read ME indicators current values</i> | +CIND: <descr>[,<descr>[,...]] OK |
| AT+CIND=? <i>Note: read possible value for ME indicators</i> | +CIND: ("battchg",(0-5)),("signal",(0-5)),("service",(0-1)),("message",(0-1)),("call",(0-1)),("roam",(0-1)),("smsfull",(0-1)) OK |

15.6.3 Defined values :

<ind>:

0: indicator is OFF or in state which can be identified as "OFF" state

1: indicator is ON or in a state that is more substantial than "OFF" state

2: this value is more substantial than 1, and so on.

Note: If the indicator is a simple ON/OFF style element, it has values 0 and 1.

<descr>:

"battchg" : battery charge level (0 - 5)

"signal" : signal quality (0 - 5)

"service" : service availability (0 - 1)

"message" : message received (0 - 1)

"call" : call in progress (0 - 1)

"roam" : roaming indicator (0 - 1)

"smsfull" : SMS memory storage status in the MT (0 - 1)

0 : memory locations are available

1 : memory full

15.7 Mobile equipment control mode +CMEC

15.7.1 Description :

This command selects the equipment which operates ME keypad, writes to ME display and sets ME indicators. If operation mode is not allowed by the ME, +CME ERROR: <err> is returned

15.7.2 Syntax :

Command Syntax: AT+CMEC=[<keyp>[,<disp>[,<ind>]]]

Response syntax : +CMEC: <keyp>,<disp>,<ind>

| Command | Possible responses |
|-----------------------------------|--|
| AT+CMEC=[<keyp>[,<disp>[,<ind>]]] | +CME ERROR: <err> |
| AT+CMEC=[<keyp>[,<disp>[,<ind>]]] | OK |
| AT+CMEC? | +CMEC: 2,0,0 OK |
| AT+CMEC=? | +CMEC: (2),(0),(0) OK <i>Note: no change allowed</i> |

15.7.3 Defined values:

<keyp>:

0 : ME can be operated only through its keypad (execute command of +CKPD cannot be used)

1 : ME can be operated only from TE (with command +CKPD)

2 : ME can be operated from both ME keypad and TE

<disp>:

0 : only ME can write to its display (command +CDIS can only be used to read the display)

1 : only TE can write to ME display (with command +CDIS)

2 : ME display can be written by both ME and TE

<ind>:

0 : only ME can set the status of its indicators (command +CIND can only be used to read the indicators)

1 : only TE can set the status of ME indicators (with command +CIND)

2 : ME indicators can be set by both ME and TE

15.8 Read Language Preference +WLPR

15.8.1 Description :

Read a Language Preference value of EF-LP. The first indices should have the highest priority.

15.8.2 Syntax :

Command syntax: AT+WLPR= <index >

Response syntax: +WLPR: <value>

| Command | Possible responses |
|---|--|
| AT+WLPR? <i>Note : Read command</i> | +WLPR: 4 OK <i>Note : Four language preferences are available in EF-LP</i> |
| AT+WLPR=1 <i>Note : Read first EF-LP index value</i> | +WLPR: 5 OK <i>Note : Language preference is 5</i> |

15.8.3 Defined values:

<index>

offset in the available languages range (SIM dependant).

<value>

Exemple of values for language : (see 23038)

| <value> | Language |
|---------|------------|
| 0 | German |
| 1 | English |
| 2 | Italian |
| 3 | French |
| 4 | Spanish |
| 5 | Dutch |
| 6 | Swedish |
| 7 | Danish |
| 8 | Portuguese |
| 9 | Finnish |
| 10 | Norwegian |
| 11 | Greek |
| 12 | Turkish |
| 13 | Hungarian |
| 14 | Polish |
| 32 | Czech |
| 33 | Hebrew |
| 34 | Arabic |
| 35 | Russian |
| 36 | Icelandic |

15.9 Write Language Preference +WLPW

15.9.1 Description :

Write a Language Preference value in EF-LP

15.9.2 Syntax :

Command syntax: AT+WLPW=<index >,<value>

Response syntax: OK or +CME ERROR: <err>

| Command | Possible responses |
|---|---|
| AT+WLPW=1,5 <i>Note : Write Lang Pref equal to 5 in EF-LP with index 1</i> | OK <i>Note : EF-LP correctly updated</i> |

15.9.3 Defined values :

<index>:

offset in the available languages range (SIM dependant).

<value>

See <value> examples above.

15.10 Read GPIO value +WIOR

15.10.1 Description

Read the requested GPI or GPIO pin value.

- Note : by default (e.g. after a reset), the I/O ports configuration is set by the +WIOM command.
- This command is allowed only on a Gpio not allocated by an Open-AT embedded application or for bus operations.

15.10.2 Syntax

Command syntax: AT+WIOR=<index>

Response syntax: +WIOR: <value>

| Command | Possible responses |
|---|---|
| AT+WIOR=0 <i>Read I/O (number 0) value</i> | +WIOR: 0 OK <i>GPIO number 0 is reset</i> |

15.10.3 Defined values**<index>**

Eight I/O ports are available. The <index> value is between 0 and 7.

<value>**0:** I/O port number <index> is reset.**1:** I/O port number <index> is set.**15.11 Write GPIO value +WIOW****15.11.1 Description**

Set the requested GPO or GPIO pin value.

Note :

- by default (after a reset), the I/O ports configuration is set by the **+WIOM** command.
- This command is allowed only on a GPIO not allocated by the Open-AT embedded application or for bus operations.

15.11.2 SyntaxCommand syntax: AT+WIOW=<index >,<value>

| Command | Possible responses |
|--|------------------------------------|
| AT+WIOW=2,0 <i>Reset I/O (number 2)</i> | OK <i>GPIO value is written</i> |

15.11.3 Defined values**<index>**

Eight I/O ports are available. The <index> value is between 0 and 7.

<value>**0:** I/O port number <index> is reset.**1:** I/O port number <index> is set.**15.12 Input/Output Management +WIOM****15.12.1 Description**This **specific** command allows to set the default GPIOs configuration (input or output) after reset, and each GPIO default value (if set as an output) after reset.Note :

- This command is allowed only on a GPIO not allocated by the Open-AT embedded application or for bus operations.

15.12.2 Syntax

Command Syntax AT+WIOM=[<GpioDir>],[<GpioVal>]

| Command | Possible responses |
|---|--|
| AT+WIOM? | +WIOM: 255,0 OK <i>On reset, all GPIOs are set to 0, as an output.</i> |
| AT+WIOM=? | +WIOM: (0-255),(0-255) OK <i>Range allowed for the parameters.</i> |
| AT+WIOM=254 <i>Set GPIO 0 as an input, and all others as outputs.</i> | OK |
| AT+WIOM=,128 <i>Set GPIO 8 (on P32X6 product) or GPO 3 (on Q24X6 product) default output value to 1.</i> | OK |
| AT+WIOM? | +WIOM: 254,128 OK |

15.12.3 Defined values

<GpioDir> : Bit table parameter indicating each GPIO direction.

0 : input

1 : output (default value).

Default value : 255 (all GPIOs set as outputs).

<GpioVal> : Bit table parameter indicating each **output-configured GPIO value** (each bit gives the corresponding GPIO default value).

0 : reset (default value)

1 : set

Remark : the GPIOs set as inputs by the <GpioDir> parameter are not affected by the value set by the <GpioVal> parameter.

Notes :

- <GpioDir> bit values for GPI and GPO are ignored.
- <GpioVal> bit values for GPI are ignored.

- Here is the corresponding table between Module GPIO Pin Names and parameters values (<index>) for AT commands:

| Param value for AT Commands | Wismo Quik Q24X3 Pin Names | Wismo Pac P32X3 Pin Names | Wismo Quik Q24X6 Pin Names | Wismo Pac P32X6 Pin Names |
|-----------------------------|----------------------------|---------------------------|----------------------------|---------------------------|
| 0 | GPIO 0 | GPIO 0 | GPIO 0 | GPIO 0 |
| 1 | GPO 1 | GPI | GPO 1 | GPI |
| 2 | GPO 2 | GPIO 2 | GPO 2 | GPIO 2 |
| 3 | GPI | GPIO 3 | GPI | GPIO 3 |
| 4 | GPIO 4 | GPIO 4 | GPIO 4 | GPIO 4 |
| 5 | GPIO 5 | GPIO 5 | GPIO 5 | GPIO 5 |
| 6 | (no GPIO affected) | (no GPIO affected) | GPO 0 | GPO 0 |
| 7 | (no GPIO affected) | (no GPIO affected) | GPO 3 | GPIO 8 |

15.13 Abort command +WAC

15.13.1 Description

This **specific** command allows SMS, SS and PLMN selection related commands to be aborted.

15.13.2 Syntax

Command syntax: AT+WAC

| Command Syntax | Return |
|----------------|--------|
| AT+WAC | |
| AT+WAC=? | OK |
| AT+WAC? | OK |

Example :

| Command | Possible responses |
|--|---|
| AT+COPS=? <i>Note : Available PLMN</i> | |
| AT+WAC <i>Note : Abort the request of PLMN list</i> | OK <i>Note : PLMN list request aborted</i> |

15.13.3 Defined values :

No parameter

15.14 Play tone +WTONE

15.14.1 Description :

This **specific** command allows a tone to be played on the current speaker or on the buzzer. Frequency, gain and duration can be specified.

15.14.2 Syntax :

Command syntax: AT+WTONE=<mode>[,<dest>,<freq>,<gain>,<duration>]

Response syntax: OK or +CME ERROR: <err>

| Command | Possible responses |
|--|--------------------------|
| AT+WTONE=1,1,300,9,50 <i>Note : Play a tone</i> | OK <i>Note : Done</i> |
| AT+WTONE=0 <i>Note : Stop playing</i> | OK <i>Note : Done</i> |
| AT+WTONE=? <i>Note : Test command</i> | OK <i>Note : Done</i> |
| AT+WTONE? <i>Note : Current value</i> | ERROR <i>Note :</i> |

15.14.3 Defined values :

<mode>

0: Stop playing.

1: Play a tone

<dest>: This parameter sets the destination (mandatory if <mode>=1)

1: Speaker

2: Buzzer

<freq> : This parameter sets tone frequency (in Hz) (mandatory if <mode>=1).

If <dest> = 1 (speaker), range is 1 Hz to 3999 Hz.

If <dest> = 2 (buzzer), range is 1 Hz to 50000 Hz.

<gain> : This parameter sets the tone gain. The default value is 9.

Range of values is 0 to 15.

| <gain> | Speaker (db) | Buzzer (db) |
|--------|--------------|-------------|
| 0 | 0 | -0.25 |
| 1 | -0.5 | -0.5 |
| 2 | -1 | -1 |
| 3 | -1.5 | -1.5 |
| 4 | -2 | -2 |
| 5 | -3 | -3 |
| 6 | -6 | -6 |
| 7 | -9 | -9 |
| 8 | -12 | -12 |
| 9 | -15 | -15 |
| 10 | -18 | -18 |
| 11 | -24 | -24 |
| 12 | -30 | -30 |
| 13 | -36 | -40 |
| 14 | -42 | -infinite |
| 15 | -infinite | -infinite |

<duration>: This parameter sets tone duration (in unit of 100 ms).

Range of values is 0 to 50 (0 is default value, 1 -> 0,1 s., 50 -> 5 s.)

Remark : when **<duration>** = 0, the duration is infinite, and the tone should be stopped by AT+WTONE=0.

15.15 Play DTMF tone +WDTMF

15.15.1 Description :

This **specific** command allows a DTMF tone to be played on the current speaker. DTMF, gain and duration can be specified.

Remark : This command is only used to play a DTMF tone. To send a DTMF over the GSM network, use the +VTS command.

15.15.2 Syntax :

Command syntax: AT+WDTMF=<mode>[,<dtmf>,<gain>,<duration>]

Response syntax: OK or +CME ERROR: <err>

| Command | Possible responses |
|---|---|
| AT+WDTMF=1,"*",9,50 <i>Note : Play a DTMF tone</i> | OK <i>Note : Done</i> |
| AT+WDTMF=0 <i>Note : Stop playing</i> | OK <i>Note : Done</i> |
| AT+WDTMF=? <i>Note : Test command</i> | +WDTMF: (0-1),(0-9,*,#,A,B,C,D),(0-15),(0-50) OK <i>Note : Done</i> |
| AT+WDTMF? <i>Note : Current value</i> | ERROR <i>Note :</i> |

15.15.3 Defined values :

<mode>

0: Stop playing.

1: Play a DTMF tone

<dtmf> : This parameter sets the DTMF to play (mandatory if <mode>=1).

Value must be in {0-9,*,#,A,B,C,D}

<gain>: This parameter sets tone gain. The values are identical to those of the +WTONE (speaker) command. The default value is 9.

Range of values is 0 to 15 (see array on [§15.14.3](#))

<duration>: This parameter sets the tone duration (in unit of 100 ms).

Range of values is 0 to 50 (0 is default value, 1 -> 0,1 s., 50 -> 5 s.)

Remark : when <duration> = 0, the duration is infinite, and the DTMF tone can be stopped by AT+WDTMF=0.

15.16 Wavecom Downloading +WDWL

15.16.1 Description :

This **specific** command switches the product to download mode.

Downloading is performed using the 1K-XMODEM protocol.

15.16.2 Syntax :

Command syntax: AT+WDWL

| Command | Possible responses |
|---|---|
| AT+WDWL <i>Note : Switch on downloading mode</i> | +WDWL: 0 <i>Note : Start the downloading</i> |
| | ... <i>Note : Downloading in progress</i> |
| | AT+CFUN=1 <i>Note : Reset the product at the end</i> |
| | OK <i>Note : reset completed, new software running</i> |

15.16.3 Defined values :

No parameter

15.17 Wavecom Voice Rate +WVR

15.17.1 Description :

This **specific** command allows the voice rate for bearer voice to be configured (available for outgoing calls only).

15.17.2 Syntax :

Command syntax : AT+WVR=<n>

| Command Syntax | Return |
|----------------|--|
| AT+WVR=? | +WVR: (0,2,3) <i>Note : Half Rate available.</i> |
| AT+WVR=? | +WVR: (0,1) <i>Note : If EFR available.</i> |
| AT+WVR=? | +WVR: (0) <i>Note : If HR and EFR not available</i> |
| AT+WVR=? | +WVR: (0-5) <i>Note : If HR and EFR available</i> |
| AT+WVR? | +WVR: <n> |

| Command | Possible responses |
|---|---|
| AT+WVR=1 <i>Note : Configure voice type FR and EFR</i> | OK <i>Note : Bearer is configured</i> |
| AT+WVR=6 <i>Syntax error</i> | +CME ERROR: 3 <i>Note : Syntax error</i> |
| AT+WVR? <i>Note : Ask for the current value</i> | +WVR: 1 OK |

15.17.3 Defined values :

<n> : Voice coding type.

0: FR

1: FR and EFR

2: FR, HR with HR preferred

3: HR, FR with FR preferred

4: EFR,HR with HR preferred

5: HR,EFR with EFR preferred.

15.18 Data Rate +WDR

15.18.1 Description :

This **specific** command allows the data rate for bearer data to be configured (available for outgoing calls only).

15.18.2 Syntax :

Command syntax : AT+WDR=<n>

| Command Syntax | Return |
|----------------|--|
| AT+WDR=<n> | OK |
| AT+WDR=? | +WDR: (0-2) <i>Note : If Half Rate available.</i> |
| AT+WDR=? | +WDR: (0) <i>Note : If Half Rate not available.</i> |
| AT+WDR? | +WDR: <n> |

| Command | Possible responses |
|---|--|
| AT+WDR=1 <i>Note : Configure voice type FR,HR with HR preferred.</i> | OK <i>Note : Bearer is configured</i> |
| AT+WDR=3 <i>Syntax error</i> | +CME ERROR: 3 <i>Note :</i> |
| AT+WDR? <i>Note : Ask the current value</i> | +WDR: 1 OK <i>Note :</i> |

15.18.3 Defined values :

<n>: Data coding type.

0: FR

1: FR, HR with HR preferred

2: HR, FR with FR preferred

15.19 Hardware Version +WHWV

15.19.1 Description :

This **specific** command gets the hardware version.

15.19.2 Syntax :

Command syntax : AT+WHWV

| Command | Possible responses |
|---|---|
| AT+WHWV <i>Note : Request Hardware Version</i> | Hardware Version 4.14 OK <i>Note : Hardware version is 4.14</i> |
| AT+WHWV <i>Note : Request Hardware Version</i> | Hardware Version --- OK <i>Note : No hardware version available</i> |

15.19.3 Defined values :

No parameter

15.20 Date of Production +WDOP

15.20.1 Description :

This **specific** command gets the date of production. Format of the date is Week/Year (ww/yyyy).

15.20.2 Syntax :

Command syntax : AT+WDOP

| Command | Possible responses |
|---|--|
| AT+WDOP <i>Note : Request Date of Production</i> | Production date (W/Y): 01/2000 OK <i>Note : Date of production is WEEK: 01 / YEAR: 2000 (1st week of year 2000)</i> |
| AT+WDOP <i>Note : Request Date of Production</i> | Production date (W/Y): --/---- OK <i>Note : No date of production available</i> |

15.20.3 Defined values :

No parameter

15.21 Wavecom Select Voice Gain +WSVG

15.21.1 Description :

The product has 2 voice gain controllers, this **specific** command selects the microphone gain controller.

15.21.2 Syntax :

Command syntax : AT+WSVG = <n>

| Command | Possible responses |
|--|--|
| AT+WSVG=<n> | |
| AT+WSVG=0 <i>Note : Select Controller 1 (Default)</i> | OK <i>Note : Controller 1 selected</i> |
| AT+WSVG=1 <i>Note : Select Controller 2 (Default)</i> | OK <i>Note : Controller 2 selected</i> |
| AT+WSVG=? <i>Note : Get the list of possible values</i> | +WSVG: (0-1) <i>Note : possible values 0 or 1</i> |
| AT+WSVG? <i>Note : Get the current value</i> | +WSVG: 1 <i>Note : Controller 1 is selected</i> |

15.21.3 Defined values

<n> Controller

0 : Controller 1 (Default)

1 : Controller 2

15.22 Wavecom Status Request +WSTR

15.22.1 Description :

This **specific** command returns some operation status. It can be used for example to check the state of the initialisation sequence; the different values returned are Not started, Ongoing, Finished.

15.22.2 Syntax :

Command syntax: AT+WSTR=<status>

Response syntax: +WSTR: <status>,<value>

| Command | Possible responses |
|---|---|
| AT+WSTR=<status> | +WSTR :<status>,<value> |
| AT+WSTR=1 <i>Note : Select the status 1 (INIT SEQUENCE)</i> | +WSTR: 1,2 OK <i>Note : Init finished</i> |
| AT+WSTR=2 <i>Note : Select the status 2 (NETWORK STATUS)</i> | +WSTR: 2,1 OK <i>Note : The network is available</i> |
| AT+WSTR=? <i>Note : Ask for the list of possible values</i> | +WSTR: (1-2) <i>Note : possible values : 1 and 2</i> |

15.22.3 Defined values

<status>

1 : Initialisation sequence

<value>

0 : Not started

1 : On going

2 : Finished

2 : Network status

<value>

0 : No network

1 : Network available

15.23 Wavecom Scan +WSCAN

15.23.1 Description :

This **specific** command displays the received signal strength indication (<rss>) for a specified frequency (in absolute format).

This command is not allowed during communication.

15.23.2 Syntax :

Command syntax: AT+WSCAN=<absolute frequency>

Response syntax: +WSCAN: <rss>

| Command | Possible responses |
|---|--|
| AT+WSCAN=50 <i>Note : Request <rss> of absolute frequency 50</i> | +WSCAN: 23 OK <i>Note : <rss> is 23.</i> |
| AT+WSCAN=1025 <i>Note : Request power of absolute frequency 1025</i> | CME ERROR: 3 <i>Note : 1025 is not a valid absolute frequency</i> |

15.23.3 Defined values

<absolute frequency> : frequency in absolute format<rsssi>

0 : -113 dBm or less

1 : -111 dBm

2-30 : -109 to -53 dBm

31 : -51dBm or more

99 : not known or not detectable

15.24 Wavecom Ring Indicator Mode +WRIM

15.24.1 Description :

This **specific** command sets the state of the Ring Indicator Mode.

- In pulse RI mode : an electrical pulse is sent on the Ring Indicator signal just before sending any unsolicited AT response, in order to lose no AT responses when client tasks are in sleep state. Still in RI mode, when receiving incoming calls, electrical pulses are sent on the RI signal.
- In up-down RI mode : no pulses are sent before unsolicited AT response. Up-down signals are sent when receiving an incoming call.

15.24.2 Syntax :

Command syntax: AT+WRIM=<n>

| Command | Possible responses |
|--|--|
| AT+WRIM=<n> | OK |
| AT+WRIM=0 <i>Note : Select up-down RI mode</i> | OK <i>Note : up-down RI mode selected</i> |
| AT+WRIM=1 <i>Note : Select pulse RI mode</i> | OK <i>Note : pulse RI mode selected</i> |
| AT+WRIM=? <i>Note : Ask for the list of possible values</i> | +WRIM: (0-1) OK <i>Note : possible values 0 or 1</i> |
| AT+WRIM? <i>Note : Ask for the current value</i> | +WRIM: 1 OK <i>Note : current RI mode is pulse RI.</i> |

15.24.3 Defined values

<n>

0 : up-down RI mode

1 : pulse RI mode

15.25 Wavecom 32kHz Power down Mode +W32K

15.25.1 Description :

This **specific** command allows the 32kHz power down mode to be enabled or disabled.

Note :

- When power down mode is entered, the product uses a 32kHz internal clock during inactivity stages (despite of its nominal internal clock).
- When enabled, power down mode is active after 1 to 15 minutes. The mode is not stored in EEPROM : the command has to be repeated after a reset.

For additional information on power down mode, see [APPENDIX F: Specification of Power Down Control via RS232](#).

15.25.2 Syntax :

Command syntax : AT+W32K=<mode>

| Command | Possible responses |
|--|---|
| AT+W32K=1 <i>Note : Enable 32kHz power down mode</i> | OK <i>Note : 32kHz power down mode is enabled</i> |
| AT+W32K=0 <i>Note : Disable 32kHz power down mode</i> | OK <i>Note : 32kHz power down mode is disabled</i> |

15.25.3 Defined values

<mode> :

0 : Disable 32kHz power down mode

1 : Enable 32kHz power down mode

15.26 Wavecom Change Default Melody +WCDM

15.26.1 Description :

This **specific** command allows the selection of a manufacturer specific melody.. This default melody will be played for any new incoming voice call, either on the buzzer or on the speaker.

15.26.2 Syntax :

Command syntax : AT+WCDM=<melody>,<player>

| Command | Possible responses |
|---|--|
| AT+WCDM=0 <i>Note : Select no melody</i> | OK |
| AT+WCDM=5 <i>Note : Select melody n°5</i> | OK |
| AT+WCDM? <i>Note : Indicate the current melody</i> | +WCDM: 5,0 OK <i>Note : Melody n°5 is currently selected, and the buzzer is selected to play it.</i> |
| | RING <i>Note : An incoming call occurs, and the melody n°5 is played on the buzzer.</i> |
| AT+WCDM=,1 <i>Note : Select the speaker to play the melody on.</i> | OK |
| AT+WCDM? | +WCDM: 5,1 OK <i>Note : Now the speaker is selected to play the melody if an incoming call occurs.</i> |

15.26.3 Defined values

<melody>

- 0 : No melody (default)
- 1 - 10 : Melody 1 to 10

<player>

- 0 : Melody n°<melody> will be played on the buzzer for any new incoming voice call. (default)
- 1 : Melody n°<melody> will be played on the speaker for any new incoming voice call.

15.27 Wavecom Software version +WSSW

15.27.1 Description :

This specific command displays some internal software reference.

15.27.2 Syntax :

Command syntax : AT+WSSW

| Command | Possible responses |
|---|---|
| AT+WSSW <i>Note : Get Software version</i> | A00_00gm.2c 000000008F5DC6EA OK <i>Note : internal software information</i> |

15.27.3 Defined values :

No parameter

15.28 Wavecom Custom Character Set +WCCS

15.28.1 Description :

This **specific** command allows to edit and display the custom character set tables. These tables are used by the "CUSTOM" mode of +CSCS and the +WPCS commands. In this CUSTOM mode, when the user enters a string, it is converted into GSM alphabet using the Custom To GSM table. In a similar way, when the user requests a string display, the string is converted from GSM alphabet using the GSM To Custom table.

In edition mode, the session is terminated by <ctrl-Z>, or aborted by <ESC>. Only hexadecimal characters ('0'...'9', 'A'...'F') can be used. The number of characters entered must be equal to the edition range requested, otherwise the command will return "+CME ERROR: 3".

15.28.2 Syntax :

Command syntax : AT+WCCS=<mode>,<table>,<char 1>[,<char 2>]

| Command | Possible responses |
|--|---|
| AT+WCCS=0,0,120,130 <i>Note : Display from character 120 to character 130 of the Custom To GSM conversion table</i> | +WCCS: 11, 78797A2020202020097E05 OK <i>Note : 11 characters displayed</i> |
| AT+WCCS=1,0,115<CR> 20<ctrl-Z> <i>Note : Edit character 115 of the Custom To GSM conversion table</i> | OK <i>Note : Edition successful</i> |
| AT+WCCS=1,1,0,4<CR> 40A324A5E8<ctrl-Z> <i>Note : Edit the 5 first characters of the GSM To Custom conversion table</i> | OK <i>Note : Edition successful</i> |
| AT+WCCS=1,1,200 <i>Note : Edit character 200 of GSM To Custom conversion table</i> | +CME ERROR: 3 <i>Note : Index out of range</i> |

15.28.3 Defined values

<mode>

0 : Display the table

1 : Edit the table

<table>

0 : Custom To GSM conversion table

1 : GSM To Custom conversion table

<char 1>, <char 2> : Character range to display/edit.

0-127 : for GSM To Custom conversion table

0-255 : for Custom To GSM conversion table

Note : If only <char 1> is provided, only this char is displayed/edited.

See section 19.2 for informative examples on phonebooks.

15.29 Wavecom LoCK +WLCK

15.29.1 Description :

This **specific** command allows the ME to be locked on a specific network operator.

Note: Test SIM cards (with MCC=001 & MNC=01) doesn't check these locks.

15.29.2 Syntax :

Command syntax: AT+WLCK=<fac>,<passwd>,<NetId>[,<GID1>[,GID2]]
[,<CnlType>[,<CnlData>]]

Response syntax: +WLCK: <status>

| Command | Possible responses |
|--|--|
| AT+WLCK="PN",12345678,20810 <i>Note : Activate network lock on SFR (208,10)</i> | OK <i>Note : Network lock activated</i> |
| AT+WLCK="PS",12345678,208105923568974 <i>Note : Activate SIM lock</i> | OK <i>Note : SIM lock activated</i> |
| AT+WLCK="PU",12345678,2081035 <i>Note : Activate Network Subset lock on SFR (208, 10, 35).</i> | OK <i>Note : Network Subset lock activated</i> |
| AT+WLCK="PU",12345678,20810 | +CME ERROR: 3 <i>Note: Need 7 digits of IMSI to perform a service provider lock</i> |
| AT+WLCK="PP",12345678,20810,"E5" <i>Note : Activate Service Provider lock on SFR (208, 10) and GID1 (0xE5).</i> | OK <i>Note : Service Provider lock activated.</i> |
| AT+WLCK="PC",12345678,20810,"E5","10" <i>Note : Activate Corporate lock on SFR (208, 10), GID1 (0xE5) and GID2 (0x10).</i> | OK <i>Note : Corporate lock activated.</i> |
| AT+WLCK="PN",12345678,20810,0 <i>Note : Activate Network lock on SFR (208, 10) using co-operative network list from SIM file EFCNL (must be present in SIM)</i> | OK <i>Note : Network lock activated on SFR and co-operative network list present in SIM</i> |
| AT+WLCK="PN",12345678,20801,1,"02F802FFFFFF02F801FFFFFF" <i>Note : Activate Network lock on F ORANGE (208, 01) with manual co-operative network list including SFR (208, 10) and Bouygues Telecom (208, 20)</i> | OK <i>Note : Network lock activated on F ORANGE (primary network), SFR and Bouygues Telecom (co-operative networks)</i> |

15.29.3 Defined values :

<fac> :

"PS" : SIM lock facility with a 8 digits password (PCK).

"PN" : Network lock with a 8 digits password (NCK).

"PU" : Network subset lock with a 8 digits password (NSCK).

"PP" : Service provider lock with a 8 digits password (SPCK).

"PC" : Corporate lock with a 8 digits password (CCK).

<CnlType> : Type of lock for cooperative network list (CNL)

0 : Automatic (co-operative network list retrieved from EFCNL SIM file)

Note : EFCNL file must be present in SIM to use automatic mode.

1 : Manual (cooperative network list is given in the <CnlData> parameter)

<Cnldata> : Co-operative network list (hexa string type) using same format as in EFCNL SIM file (ETSI GSM 11.11 or 3GPP 04.08).

Note :_Only if <CnIType> = 1

15.30 CPHS command: +CPHS

15.30.1 Description

This **specific** command is used to activate, deactivate or interrogate a CPHS feature (e.g. Voice Mail Indicator, Mail Box Number...)

Note : This command may answer +CME ERROR: 3 if the CPHS feature is disabled (cf. +WFM command), or if the SIM card does not support this CPHS feature.

15.30.2 Syntax

Command syntax : AT+CPHS=<Mode>,<FctId>[,<precision>]

| Command | Possible responses |
|--------------------------------------|--|
| AT+CPHS=<Mode>,<FctId>[,<precision>] | OK |
| AT+CPHS=<Mode>,<FctId>[,<precision>] | +CME ERROR: 3 |
| AT+CPHS? | +CPHS: <FctId1>,<Status><CR<LF> +CPHS: <FctId2>,<Status><CR<LF> ... +CPHS: <FctIdn>,<Status><CR<LF> OK |
| AT+CPHS=? | OK |

15.30.3 Defined values:

<Mode>

0 : Deactivate a CPHS feature

1 : Activate a CPHS feature

2 : Interrogate a CPHS status

Note : The deactivate or activate command has not effect for Alternate line service, Network Operator Name, CPHS information and Customer Profile Service features.

<FctId>

1 : Voice Mail Indicator

2 : Mail Box Number

3 : Alternate Line Service

4 : Diverted Call Indicator

5 : Network Operator Name

6 : CPHS Information

7 : Customer Service Profile

Note : The Customer Service Profile and Alternate Line Service features are activated if the field is set in CPHS information and CSP files. The Network Operator Name is activated if at least one of the two format names exist (Long or Short format). This is done at initialization.

<precision> :

only used if <Mode>=2 and <Fctld>= 5 to 7

if <Fctld>=5, this field is <type format> (See +WNON)

if <Fctld>=6, this field is <data field> (See +WCPI)

if <Fctld>=7, this field is <service> (See +WCSP)

<Status>

0 : CPHS feature disabled

1 : CPHS feature enabled

15.30.4 Examples

```

AT+CPHS?                               Interrogate the status of CPHS functionality
+CPHS: 1,0                               The voice mail indicator functionality is deactivated
+CPHS: 2,0                               The mail box number functionality is deactivated
+CPHS: 3,1                               The Alternate Line Service functionality is activated
+CPHS: 4,0                               The Divert Call Indicator functionality is deactivated
+CPHS: 5,1                               The Network Operator Name functionality is activated
+CPHS: 6,1                               The CPHS Information functionality is activated
+CPHS: 7,1                               The Customer Service Profile functionality is activated
OK

AT+CPHS=3,1                             Syntax error
+CME ERROR: 3

AT+CPHS=1,1                             Activate the voice mail indicator functionality
OK

AT+CPHS?                               Interrogate the status of CPHS functionality
+CPHS: 1,1                               The voice mail indicator functionality is activated
+CPHS: 2,0                               The mail box number functionality is deactivated
+CPHS: 3,1                               The Alternate Line Service functionality is activated
+CPHS: 4,0                               The Divert Call Indicator functionality is deactivated
+CPHS: 5,1                               The Network Operator Name functionality is activated
+CPHS: 6,1                               The CPHS Information functionality is activated
+CPHS: 7,1                               The Customer Service Profile functionality is activated
OK

**** the message box contains 1 message ****
+WVMI: 1,1                               A message is waiting on Line 1
**** The message box contains a second message ***
+WVMI: 2,1                               A message is waiting on Line 2

AT+CPHS=1,4                             Activate the divert call indicator functionality
OK

**** the call forwarding is active on Line 1 ****
+WDCI: 1,1                               Call forwarding is activated on Line 1

AT+CPHS=2,1                             Interrogate the status of voice mail indicator
+CPHS: 2,1                               functionality
+WVMI: 1,1                               a message is waiting on LINE 1
+WVMI: 2,1                               a message is waiting on LINE 2
+WVMI: 3,0                               no Data waiting
+WVMI: 4,0                               no Fax waiting
OK
  
```

| | | |
|-------------|--|--|
| AT+CPHS=1,2 | OK | <i>Activate the mail box number functionality</i> |
| AT+WALS=1 | +WALS: 2 OK | <i>Interrogate the status of activated Line The current line is number 2</i> |
| AT+CPHS=0,4 | OK | <i>Deactivate the divert call indicator functionality</i> |
| AT+CPHS? | +CPHS: 1,1 +CPHS: 2,1 +CPHS: 3,1 +CPHS: 4,0 +CPHS: 5,1 +CPHS: 6,1 +CPHS: 7,1 OK | <i>Interrogate the status of CPHS functionality The voice mail indicator functionality is activated The mail box number functionality is activated The Alternate Line Service functionality is activated The Divert Call Indicator functionality is deactivated The Network Operator Name functionality is activated The CPHS Information functionality is activated The Customer Service Profile functionality is activated</i> |
| AT+CPHS=2,2 | +WMBN: 1,"19254871234",129,,1 +WMBN: 2,,,1 +WMBN: 3,,,1 +WMBN: 4,,,1 OK | <i>Query current mail box numbers in SIM Mail box number for Line 1 Mail box number for Line 2 Mail box number for Data Line Mail box number for Fax Line Only Line1 can be updated</i> |

15.31 Unsolicited result : Wavecom Voice Mail Indicator : +WVMI

15.31.1 Description

This unsolicited indication gives the status of the LINE 1, LINE 2, DATA or FAX mailboxes. The +CPHS command can be used to know the status of voice mail indicator for each line.

15.31.2 Syntax

Response syntax : +WVMI: <LineId>,<Status>

Response syntax (to AT+CPHS=2,1)

+WVMI = <LineId>,<Status>

| Command | Possible responses |
|--|---|
| AT+CPHS=1,1 <i>Note : Activate the Voice Mail indicator feature.</i> | OK |
| AT+CPHS=2,1 <i>Note : Get the current status of Voice mail indicator.</i> | +WVMI: 1,1 a message is waiting on LINE 1 +WVMI: 2,1 a message is waiting on LINE 2 +WVMI: 3,0 no Data waiting +WVMI: 4,0 no Fax waiting |
| AT+CPHS=2,1 | +CME ERROR: 3 <i>Note : CPHS Feature is not allowed</i> |
| AT+CPHS=1,1 <i>Note : Activation of Voice mail indicator feature.</i> | OK <i>Note : The Voice mail indicator feature is activated</i> |
| | +WVMI: 1,1 <i>Note : A message is waiting on Line 1</i> |

15.31.3 Defined values

<LineId>

1 : Line 1

2 : Line 2

3 : Data

4 : Fax

<Status>

0 : No message waiting.

1 : At least one message is waiting

15.32 Unsolicited result : Wavecom diverted call indicator: +WDCI

15.32.1 Description

This indication provides the call forwarding flags. The +CPHS command can be used to know the status of Divert call indicator for each line.

15.32.2 Syntax

Response syntax: +WDCI:<LineId>,<flag>

Response syntax (to AT+CPHS=2,4)

+WDCI = <LineId>,<Status>

| Command | Possible responses |
|---|---|
| AT+CPHS=1,4 <i>Note : Activate the Divert Call indicator feature.</i> | OK |
| AT+CPHS=2,4 <i>Note : Get the current status of Divert call indicator.</i> | +WDCI: 1,1 <i>divert call indicator is active on LINE 1</i> +WDCI: 2,1 <i>divert call indicator is active on LINE 2</i> +WDCI: 3,0 <i>divert call indicator is deactivate on Data</i> +WDCI: 4,1 <i>divert call indicator is active on Fax</i> |
| AT+CPHS=2,4 | +CME ERROR: 3 <i>Note : CPHS Feature is not allowed</i> |
| AT+CPHS=1,4 <i>Note : Activation of Divert call indicator feature.</i> | OK <i>Note : The Divert call indicator feature is activated</i> |
| | +WDCI: 1,1 <i>Note : Call forwarding is activate on Line 1</i> |

15.32.3 Defined values

<LineId>

1 : Line 1

2 : Line 2

3 : Data

4 : Fax

<flag>, <status>

0 : Call forwarding is deactivated

1 : Call forwarding is activated

Note : The call forwarding SS is set by the AT+CCFC command.

15.33 Wavecom network operator name: +WNON

15.33.1 Description

This indication provides the name of the network operator (as a character string). This command is the response to the AT+CPHS 2,5[,<type format>] command.

15.33.2 Syntax

Command : AT+CPHS=2,5[,<type format>]

Response syntax : +WNON:<type format>,<operator name>

| Command | Possible responses |
|---|--|
| AT+CPHS=2,5 <i>Note : Get the operator name</i> | +WNON: 0,"Orange F" OK |
| AT+CPHS=2,5,1 <i>Note : Get the short format operator name.</i> | +WNON: 1,"Orange" OK |
| AT+CPHS=2,5,0 | +CME ERROR: 3 <i>Note : When CPHS Feature is not allowed or format name no accessible</i> |
| AT+CPHS=2,5,1 | +CME ERROR: 3 <i>Note : When NON Feature is not allowed or format name no accessible</i> |
| AT+CPHS=0,5 <i>Note : Deactivation of Network Operator Name feature.</i> | OK <i>Note : No effect.</i> |

15.33.3 Defined values

<type format>

0 : Long format operator name

1 : Short format operator name (default value)

<operator name>

The name of the operator, in long or short format

15.34 Wavecom CPHS information: +WCPI

15.34.1 Description

This indication provide CPHS information; ie. which data field are present in the SIM. This command is the response to the AT+CPHS 2,6[,<data field>] command.

15.34.2 Syntax

Command : AT+CPHS=2,6[,<data field >]

Response syntax : +WCPI: <data field>,<status>

| Command | Possible responses |
|---|---|
| AT+CPHS=2,6 <i>Note : Get the current status for all CPHS info field</i> | +WCPI: 0,"0033000F" OK |
| AT+CPHS=2,6,13 <i>Note : Get the current status for Call Forward Activated indicator for Line 1.</i> | +WCPI: 13,1 OK <i>Note : Call Forward is active for Line 1.</i> |
| AT+CPHS=2,6,22 <i>Note : Get the current status for Line 2 Mailbox number.</i> | +WCPI: 22,0 OK <i>Note : Mailbox number for Line2 is not available.</i> |
| AT+CPHS=2,6,17 | +CME ERROR: 3 <i>Wrong data field</i> |
| AT+CPHS=2,6,22 <i>Note : Get the current status for Line 2 Mailbox number.</i> | +CME ERROR: 3 <i>Note : CPHS Feature is not allowed</i> |
| AT+CPHS=0,6 <i>Note : Deactivation of CPHS Info feature.</i> | OK <i>Note : No effect.</i> |

15.34.3 Defined values

<data field> : value indicating the field of CPHS information (see appendix 19.14)

If <precision> field omitted in the AT+CPHS command, all field of CPHS Info will be displayed.

<status>

0 : data field is set

1 : data field is unset

When all CPHS information are requested, the status correspond to a bit field (see appendix 19.14)

Note : The field CSP service (<data field> = 1) is used to set or not the CSP feature at the initialisation.

15.35 Wavecom customer service profile: +WCSP

15.35.1 Description

This indication indicates if a service is accessible to the customer. This is the response to the AT+CPHS 2,7,<service > command.

15.35.2 Syntax

Command : AT+CPHS=2,7,<service>

Response syntax: +WCSP: <service>,<status>

| Command | Possible responses |
|--|--|
| AT+WCSP=? | ERROR |
| AT+WCSP? | ERROR |
| AT+CPHS=2,7 | +CME ERROR: 3 <i>Note : Syntax error</i> |
| AT+CPHS=2,7,9 <i>Note : Get the current status for Barring of All Outgoing Calls.</i> | +WCSP: 9,1 OK <i>Note : Barring of All Outgoing Calls is customer accessible.</i> |
| AT+CPHS=2,7,11 <i>Note : Get the current status Barring of Outgoing International Calls</i> | +WCSP: 11,1 OK <i>Note : Barring of Outgoing International Calls is customer accessible.</i> |
| AT+CPHS=2,7,2 <i>Note : Get the current status Call forwarding on user Busy.</i> | +CME ERROR: 3 <i>Note : CPHS Feature is not allowed</i> |
| AT+CPHS=0,7 <i>Note : Deactivation of CPHS Info.</i> | OK <i>Note : No effect.</i> |

15.35.3 Defined values

<service> value indicating the field of CSP field to display (see appendix 19.15, column External Value)

<status>

0 : service is not customer-accessible

1 : service is customer-accessible

Note : The field Alternate Line Service (CPHS Teleservices Group) is used to set or not the ALS feature at the initialisation.

15.36 Wavecom Battery Charge Management +WBCM

15.36.1 Description

This **specific** command allows the management of the battery charging operations (start and stop the charge, enable or disable unsolicited +WBCI Battery Charge Indications). It also sets the battery charge parameters.

15.36.2 Syntax

Command syntax : AT+WBCM=<Mode>[,<ChargeInd>][,<BattLevelMax>],<BattLevelMin>,<TPulseInCharge>,<TPulseOutCharge>,<BattIntRes>]]

| Command | Possible responses |
|---|---|
| AT+WBCM=0 <i>Note : Stop the battery charging.</i> | OK |
| AT+WBCM=1,1 <i>Start the battery charging with charge indications.</i> | OK |
| | +WBCI: 2,4060 <i>Note : Unsolicited charge indication: the current battery voltage is 4.06 V. (See +WBCI description)</i> |
| AT+WBCM=1,0 <i>Note : Start the battery charging without charge indications.</i> | OK |
| AT+WBCM=2 <i>Note : Get the battery voltage during the charging.</i> | +WBCI: 2,4110 OK <i>Note : See the description of +WBCI unsolicited response. The current battery voltage is 4.11 V.</i> |
| | +WBCI: 1 <i>Note : The battery voltage has reached the max level. The battery is considered as charged and the charging is stopped.</i> |
| AT+WBCM? | +WBCM: 0,0,4200,3300,100,5000,0 OK <i>Note : Current values.</i> |
| AT+WBCM=0,1 <i>Note : Enable the battery charge unsolicited indications out of charge.</i> | OK |
| | +WBCI: 3,4195 <i>Note : The current battery voltage is 4.195 V.</i> |
| AT+WBCM=3,0,3800,3000,500,3000,0 <i>Note : Configure the battery charging parameters.</i> | OK |
| AT+WBCM=? <i>Note : Get the parameters range.</i> | +WBCM: (0-3),(0-1),(4000-5000),(2800-3800), (100-10000),(100-10000),(0-255) OK |
| | +WBCI: 0 <i>Note : The battery voltage has reached the min level. The battery is considered as discharged, and the product is turned off, with the +CPOF command behavior.</i> |

15.36.3 Defined values

<Mode>

- 0 : Stop the battery charging (default).
- 1 : Start the battery charging.
- 2 : Get the current battery voltage.
- 3 : Set the battery charge parameters.

Note :

When <Mode> = 0 or 1, only the <ChargeInd> parameter can be set. When <Mode> = 2, no additional parameter can be set. When <Mode> = 3, all others parameters can be set.

<ChargeInd>

- 0 : Disable the battery charge unsolicited indications (default value).
- 1 : Enable the battery charge unsolicited indications (see +WBCI description).

<BattLevelMax> : Maximum level for the battery voltage.

*When reached, the battery is considered as charged.
The allowed range is [4000 ; 5000] (in mV, default value is 4200)*

<BattLevelMin> : Minimum level for the battery voltage.

*When reached, the battery is considered as discharged, and the product is turned off (with the +CPOF command behavior).
The allowed range is [2800 ; 3800] (in mV, default value is 3300)*

Note :

The <BattLevelMax> and <BattLevelMin> parameters cannot be changed during the battery charging (when <Mode> = 1).

<TPulseInCharge> Time between pulses for the pulsed charge.

The pulse duration lasts one second. When the battery charging is started with unsolicited charging indications (<ChargeInd> = 1), +WBCI responses are returned by the ME with a period equals to (<Pulse Time> (= 1s.) + <TPulseInCharge>).

The allowed range is [100 ; 10000]. (unit is ms, default value is 100).

<TPulseOutCharge> Time between +WBCI unsolicited responses, when the battery charge is stopped with charging indications requested (<ChargeInd> = 1). The allowed range is [100 ; 10000] (in ms, default value is 5000).

<BattIntRes> : Battery Internal Resistor.

This parameter must be set to have correct values with +WBCI unsolicited results.

The allowed range is [0 ; 255] (in mΩ, default value is 0)

Note :

When the <BattIntRes> parameter is changed, the product must be reset to take the modification into account.

15.37 Unsolicited result : Wavecom Battery Charge Indication +WBCI

15.37.1 Description

This unsolicited indication returns information about the battery charge (maximum level reached, current battery voltage).

15.37.2 Syntax

Unsolicited response syntax : +WBCI: <Status>[,<BattLevel>]

15.37.3 Defined values

<Status>

0 : Minimum battery level reached. The battery is considered as discharged.

The product is turned off (as with the +CPOF command).

1 : Maximum battery level reached. The battery is considered as charged.

The battery charging is stopped.

2 : Battery currently in charge.

3 : Battery currently out of charge.

<BattLevel> : Current battery voltage during or out of the charging.

The possible range is [2800 ; 5000]. (in mV)

Note :

<Status> = 2 and 3 are solicited, by the AT+WBCM=2 command, or unsolicited when the <ChargeInd> parameter of the +WBCM command is set to 1. With these <Status> values, the <BattLevel> parameter is also present.

15.38 Features Management +WFM

15.38.1 Description

This **specific** command allows some features to be enabled or disabled.

Note :

*After a modification, the changes will be taken into account only after a **reset of the product**.*

15.38.2 Syntax

Command syntax AT+WFM=<mode>[,<FtrID>]

Response syntax +WFM: <FtrID>,<status>,<resetFlag>

| | |
|--|---|
| AT+WFM=2,"BI9001800" | +WFM: "BI9001800",1,0 OK <i>Note : Dual-band mode 900/1800 is enabled</i> |
| AT+WFM=1,11 <i>Note : Enable the Mono-band 900 mode</i> | +CME ERROR: 3 <i>Note : Band selection are not allowed with AT+WFM command</i> |
| AT+WFM=0,61 | +CME ERROR: 3 <i>Note : <mode>=0 is not allowed on <FtrID> values with 2 digits</i> |
| AT+WFM=0,"EFR" <i>Note : Disable the Enhanced Full Rate feature</i> | OK |
| AT+WFM=2 <i>Note : Interrogate all <FtrID> status</i> | +WFM: "MONO900",0,0 +WFM: "MONO1800",0,0 +WFM: "MONO1900",0,0 +WFM: "BI9001800",1,0 +WFM: "BI9001900",0,0 +WFM: "MONO850",0,0 +WFM: "BI8501900",0,0 +WFM: "QUADBAND",0,0 +WFM: "EFR",0,1 +WFM: "NOHR_NOECHO",0,0 +WFM: "HR",1,0 +WFM: "ECHO",0,0 +WFM: "DTXDATA",1,0 +WFM: "DATA144",1,0 +WFM: "SIM3VONLY",0,0 +WFM: "SIM5VONLY",0,0 +WFM: "SIM3AND5V",1,0 +WFM: "SIMREMOVE",1,0 +WFM: "NOINTERRUPT",0,0 +WFM: "QUICKOFF",0,0 +WFM: "OFFWHENUNPLUG",0,0 +WFM: "INTERRUPT",1,0 +WFM: "SWITCHATT",1,0 +WFM: "CPHS",1,0 +WFM: "SIMSPEEDENH",0,0 +WFM: "LOCA",0,0 OK <i>Note : The modified features have their <resetFlag> parameter set to 1</i> |

15.38.3 Defined values

<mode>

0 : disable feature <FtrID>

1 : enable feature <FtrID>

2 : interrogate the status of the <FtrID> feature.

If the <FtrID> parameter is not used, the status of all the features are listed (with several +WFM responses).

<FtrID>

| Numeric value | String value | Meaning |
|---------------|-----------------|---|
| 11 | "MONO900" | Mono-band mode 900 MHz (def. 0) |
| 12 | "MONO1800" | Mono-band mode 1800 MHz (def. 0) |
| 13 | "MONO1900" | Mono-band mode 1900 MHz (def. 0) |
| 14 | "BI9001800" | Dual-band mode 900/1800 MHz (def. 1) |
| 15 | "BI9001900" | Dual-band mode 900/1900 MHz (def. 0) |
| 16 | "MONO850" | Mono-band mode 850 MHz (def. 0) |
| 17 | "BI8501900" | Dual-band mode 850/1900 MHz (def. 0) |
| 18 | "QUADBAND" | Quad-band mode 850/900/1800/1900 MHz |
| 2 | "EFR": | Enhanced Full Rate feature (def. 1) |
| 31 | "NOHR_NOECHO" | HR and ECHO features are disabled |
| 32 | "HR" | Half Rate feature (def. 1) |
| 33 | "ECHO" | Echo Cancel (def. 0) |
| 4 | "DTXDATA" | Data with DTX feature (def. 1) |
| 5 | "DATA144" | Data 14.4 kbit/s feature (def. 1) |
| 61 | "SIM3VONLY" | 3V SIM voltage mode (def. 0) |
| 62 | "SIM5VONLY" | 5V SIM voltage mode |
| 63 | "SIM3AND5V" | Both 3 and 5V SIM voltage mode (def. 1) |
| 7 | "SIMREMOVE" | SIM removal feature (def. 1) |
| 81 | "NOINTERRUPT" | No management of interruption (def. 0) |
| 82 | "QUICKOFF" | Quick Off mode (def. 0) |
| 83 | "OFFWHENUNPLUG" | Off when unplug mode (def. 0) |
| 84 | "INTERRUPT" | interruption for customer (def. 1) |
| 9 | "SWITCHATT" | Switch Attenuation feature (def. 1) |
| A | "CPHS" | CPHS feature (def. 1) |
| B | "SIMSPEEDENH" | SIM speed enhancement feature (def.0) |
| C | "LOCA" | Location feature (def. 0) |

Notes :

- *The +WFM response only use alphabetical values for the <FtrID> parameter.*
- *For <FtrID> values with two digits (like 1x, 6x or 8x), the <mode> 0 value is not allowed. When a « xa » feature is enabled, enabling an other « xb » feature will automatically disable the « xa » feature. For example, if the "MONO900" feature is enabled, if the "BI9001800" feature is activated, the "MONO900" feature gets automatically disabled. Likewise, the "HR" feature and the "ECHO" feature are exclusive. If "NOHR_NOECHO" is activated, both features "HR" and "ECHO" are disabled.*
- *"MONO900", "MONO850", "MONO1800", "MONO1900", "BI9001900", "BI9001800", "BI8501900" and "QUADBAND" features are read-only. In order to change the Band selection use AT+WMBS command, see § 15.54.*

<status>

0 : the <FtrID> feature is disabled
 1 : the <FtrID> feature is enabled

<resetFlag>

0 : the feature has not been modified since the last boot of the product.
 1 : the feature has been modified since the last boot of the product; a reset must be performed to take the modifications into account.

Note : If a feature is reset to its initial value after a modification, the <resetFlag> parameter will be reset to 0.

15.39 Commercial Features Management +WCFM

15.39.1 Description

This command enables ou disables Wavecom specific features. Disabling a feature can be done with no restriction, but a password is required to enable features.

Note : Once a feature successfully enabled or disabled, the product needs to be reset to take the modification into account.

15.39.2 Syntax

Command syntax AT+WCFM=<mode>,[<FtrMask>[,<Password>]]

| Command | Possible responses |
|--|--|
| AT+WCFM=0,"0A00" <i>Note : Disable some features</i> | OK |
| AT+WCFM=2 <i>Note : Display of the feature status</i> | 0000 OK |
| AT+WCFM=1,"0003","1234567890A BCDEF1234567890ABCDEF12345678 90ABCDEF1234567890ABCDEF" <i>Note : Enable features</i> | OK <i>Note : The features are enabled (the password is correct)</i> |
| AT+WCFM=1,"0050","1234567890A BCDEF1234567890ABCDEF12345678 90ABCDEF1234567890FFFFFF" <i>Note : Enable features</i> | +CME ERROR: 3 <i>Note : Incorrect password</i> |

15.39.3 Defined values

<mode>

0 : disable some features of <FtrMask>
 1 : enable some features of <FtrMask>
 2 : display the features state

<FtrMask> : features mask

16 bits hexadecimal string (4 characters from 0 (zero) to 'F')

<PassWord> : Password

256 bits hexadecimal string (64 characters from 0 (zero) to 'F')

15.40 Wavecom Customer storage mirror +WMIR

15.40.1 Description

This **specific** command allows to make a mirror copy of the current configuration parameters in the EEPROM. In case of memory problem for the storage, if a customer mirror already exists, this one will be restored. Otherwise, the Wavecom default mirrored parameters are restored.

15.40.2 Syntax

Command syntax AT+WMIR

| Command | Possible responses |
|--|--------------------|
| AT+WMIR=? | OK |
| AT+WMIR <i>Note : Build the Customer Mirror</i> | OK |

15.40.3 Defined values :

No parameter

15.41 Wavecom Change Default Player +WCDP

15.41.1 Description

This **specific** command allows the default melody player to be selected.

15.41.2 Syntax

Command syntax AT+WCDP = <player>

| Command | Possible responses |
|--|---------------------|
| AT+WCDP=? | +WCDP : (0-1) OK |
| AT+WCDP=0 <i>Note : Select the speaker.</i> | OK |
| AT+WCDP? | +WCDP: 0 OK |

15.41.3 Defined values :

<player>

0 : Buzzer
1 : Speaker

15.42 Wavecom CPHS Mail Box Number: +WMBN

15.42.1 Description

This specific command sets the different mailbox numbers in SIM. The +CPHS command can be used to know which mailbox numbers can be updated.

15.42.2 Syntax

Command syntax AT+WMBN = <Lineld>,<number>,<type>,<name>

Response syntax (to AT+CPHS=2,2)

+WMBN = <Lineld>,<number>,<type>,<name>,<status>

| Command | Possible responses |
|---|---|
| AT+WMBN=? | OK |
| AT+WMBN? | OK |
| AT+CPHS=2,2 <i>Note : Get the current Mail Box Numbers in SIM</i> | +WMBN: 1,"0123456789",129,"Maison",1 +WMBN: 2,"9876543210",129,"Travail",1 +WMBN: 3,,,1 +WMBN: 4,,,1 OK |
| AT+WMBN=1,"+33122334455",145 <i>Note : Set mailbox number for line1.</i> | OK <i>Note : Mailbox number for Line1 is set.</i> |
| AT+WMBN=2 <i>Note : Erase mailbox number & name for line2</i> | OK |
| AT+CPHS=2,2 <i>Note : Get the current Mail Box Numbers again</i> | +WMBN: 1,"+33122334455",145,,1 +WMBN: 2,,,1 +WMBN: 3,,,1 +WMBN: 4,,,1 OK |

15.42.3 Defined values

<Lineld>

- 1 : Line 1
- 2 : Line 2
- 3 : Data
- 4 : Fax

<number> : Phone number in ASCII format.

<type> : TON/NPI
(Type of address byte in integer format).

<name> : name of mailbox.

Notes :

- For the **<name>** parameter all strings starting with "80", "81" or "82" are considered in UCS2 format. See the [APPENDIX E: Coding of Alpha fields in the SIM for UCS2](#). If a wrong UCS2 format is entered, the string is considered as an ASCII string.
- The AT command **+WPCS** affect the format of the Mailbox **<name>** entry.

<status>

When checked with "AT+CPHS=2,2", it indicates if the number can be updated or not:

0 : Update is not possible

1 : Update is possible

15.43 Wavecom Alternate Line Service: +WALS

15.43.1 Description

This specific command allows to set and to get the active line. The +CPHS command can be used to know which line is activated.

15.43.2 Syntax

Command syntax AT+WALS = <CmdType>[,<LineId>]

Response syntax (to AT+CPHS=2,3)

+WALS = <LineId>

| Command | Possible responses |
|--|--|
| AT+WALS? | +WALS: 1 OK <i>Note : Display the current active line</i> |
| AT+WALS=? | +WALS: (0-1),(1-2) OK |
| AT+WALS = 0,1 <i>Note : Activate Line 1</i> | +WALS: 1 OK |
| AT+WALS = 0,2 <i>Note : Activate Line 2</i> | +CME ERROR: 3 <i>Note : When the ALS feature is not allowed</i> |
| AT+WALS = 1 <i>Note : Get the current activate Line</i> | +WALS: 1 <i>Note : Display the current active line</i> |
| AT+WALS = 1,2 | +CME ERROR: 3 <i>Note : Syntax error</i> |
| AT+CPHS=0,3 <i>Note : Deactivation of ALS feature.</i> | OK <i>Note : No effect.</i> |
| AT+CPHS=2,3 <i>Note : Interrogate of ALS Feature</i> | +WALS: 1 <i>Note : Display the current active line</i> +CME ERROR: 3 <i>Note : in the case where the ALS feature is not allowed</i> |

15.43.3 Defined values

<CmdType>

0 : Set active line

1 : Get active line

<LineId>:

Only used for <CmdType> = 0

1 : Line 1

2 : Line 2

15.44 Wavecom Open AT control command +WOPEN

15.44.1 Description

This **specific** command allows to start, stop, delete and get information about the current Open AT embedded application.

Note : This command is only available if the Open AT feature is enabled (cf +WCFM command).

15.44.2 Syntax

Command syntax AT+WOPEN=<Mode>

Response syntax +WOPEN: <Mode>[,<IntVersion>[<ExtVersion>]]

| Command | Possible responses |
|---|--|
| AT+WOPEN=? | +WOPEN: (0-4) OK |
| AT+WOPEN? | +WOPEN: 0 OK |
| AT+WOPEN=2 <i>Note : Get the Open-AT library versions.</i> | +WOPEN: 2, "AT v2.00", "AT v2.00" OK <i>Note : Open-AT v2.00 library version. An embedded application has been downloaded on this product.</i> |
| AT+WOPEN=3 | OK <i>Note : The objects flash are erased</i> |
| AT+WOPEN=1 <i>Note : Start the embedded application.</i> | OK +WIND: 3 <i>Note : Product reset in order to start the embedded application.</i> |
| AT+WOPEN = 3 | +CME ERROR: 532 <i>Note : the embedded application is activated so the objects flash are not erased.</i> |
| AT+WOPEN = 4 | +CME ERROR: 532 <i>Note : the embedded application is activated so it cannot be erased</i> |
| AT+WOPEN=0 <i>Note : Stop the embedded application.</i> | OK +WIND: 3 <i>Note : Product reset in order to stop the embedded application.</i> |
| AT+WOPEN=3 | OK <i>Note : The objects flash are erased</i> |
| AT+WOPEN=4 | OK <i>Note : the embedded application is erased</i> |
| AT+WOPEN? | +CME ERROR: 3 <i>Note : The Open AT feature is disabled.</i> |

15.44.3 Defined values :

<Mode>

0 : Stop the Open-AT embedded application.

If the product was running, it resets.

1 : Start the Open-AT embedded application.

If the product was stopped, it resets.

2 : Get the Open AT library versions.

3 : Erase the objects flash of the Open-AT embedded application.

4 : Erase the Open-AT embedded application.

Note : Mode = 3 and 4 are only available if Open-AT embedded application is stopped (AT+WOPEN=0).

<IntVersion>

Ascii string giving the internal Open AT library version.

<ExtVersion>

Ascii string giving the external Open AT library version.

Note :

If no embedded application is loaded, the <ExtVersion> parameter does not appear.

15.45 Wavecom Reset +WRST

15.45.1 Description

This **specific** command resets the module after the time specified by the <delay> parameter.

15.45.2 Syntax

Command syntax : AT+WRST = <Mode> , <Delay>

Response syntax : +WRST: <Mode> , <Delay> , <RemainTime>

| Command | Possible responses |
|--|--|
| AT+WRST=? | OK |
| AT+WRST=0 <i>Note : Disable timer</i> | OK |
| AT+WRST=1,"001:03" <i>Note : Enable timer and set delay at 1 hour 3 minutes</i> | OK |
| AT+WRST? | +WRST: 1,"001:03","001:01" OK <i>Note: Timer activated to reset after 1 hour and 3 minutes. At this point, 1 hour and 1 minute remain before next reset.</i> |

15.45.3 Defined values :

<val1> :

0 : timer reset is disabled

1 : timer reset is enabled

<Delay>: sets the time before reset

Range "000:01"- "168:59" (format hhh:mm)

<RemainTime> : time before next reset

Range "000:01"- "168:59" (format hhh:mm)

15.46 Set Standard Tone +WSST

15.46.1 Description :

This **specific** command allows to set/get the sound level of the Standard Tones.

15.46.2 Syntax :

Command syntax : AT+WSST=[<sound level>][,<ring tone level>]

| Command | Possible responses |
|--|--|
| AT+WSST=0 <i>Note : Set volume to Max.</i> | OK |
| AT+WSST=15 <i>Note : Set volume to Min.</i> | OK |
| AT+WSST=,5 <i>Note : Set ring tone level to 5</i> | OK |
| AT+WSST? <i>Note : get current standard tones sound level</i> | +WSST: 15,5 OK <i>Note : current standard tones level is 15 (mini.), and ring tone level is 5.</i> |
| AT+WSST=? <i>Note : supported parameters</i> | +WSST: (0-15),(0-15) OK |

15.46.3 Defined values :

<sound level>

Range [0 ; 15]

0 : Maximum volume (default)

15 : Minimum volume

<ring tone level>

Range [0 ; 15]

0 : Maximum volume (default)

15 : Minimum volume

15.47 Wavecom Location +WLOC

15.47.1 Description :

This specific command can be used by the application to retrieve the following local informations : MCC-MNC, LAC, CI, Network measurement, BCCH channel list, Timing Advance, Date and Time.

Two ways exist for the external application to get these information : on request of the application, or automatically by the module every x seconds (x has to be a multiple of 5 different from 0).

The location feature has to be activated to get information.

if the feature is not activated, "ERROR" is sent.

If the data are not valid at the requested time, the network measurement, BCCH list and Timing Advance cannot be displayed (".,," is displayed instead).

15.47.2 Syntax :

Command syntax : AT+WLOC =< mode > [, < time period/dump >]

| Command | Possible responses |
|--|---|
| AT+WLOC=0 <i>Note : stops the display of local information</i> | OK |
| AT+WLOC=3,255 <i>Note : set the wished information to display (255 -> complete information)</i> | OK |
| AT+WLOC=1 <i>Note : displays once the local information</i> | +WLOC: 02f802,0006,7772,f13101b04cf51278 91138e95a846d160,8b49d08d0797c419e272e10889a000009302170399020403c1020a03c5020a03,00,010121111349ff OK |
| AT+WLOC=2,6 <i>Note : 6 is not a multiple of 5</i> | +CME ERROR:3 |
| AT+WLOC=2,10 <i>Note : displays OK then the current local information immediately for the first time and then every 10 seconds.</i> | OK +WLOC: 02f802,0006,7772,ed3001af4cf492780b040889c74acc23,8b49d08d0797c419e272e10889a000009302160399020503c1020a03c5020a03,00,010121111354ff +WLOC: 02f802,0006,7772,f02d01ae4cf412784b03c889c846dba5,8b49d08d0797c419e272e10889a000009302170399020403c1020a03c5020903,00,010121111404ff ... |

| Command | Possible responses |
|--|----------------------|
| AT+WLOC=? <i>Note : The feature "loca" is not activated</i> | +CME ERROR:3 |
| AT+WLOC? <i>Note : The feature "loca" is not activated</i> | +CME ERROR:3 |
| AT+WLOC=? <i>Note : The feature "loca" is activated</i> | OK |
| AT+WLOC? <i>Note : The location is not in mode automatic, the period value is set to 5 seconds, the configuration value is set to 255</i> | +WLOC: 0,5,255 OK |
| AT+WLOC? <i>Note : The location is in mode automatic, the period value is set to 10 seconds, the configuration value is set to 20</i> | +WLOC: 1,10,20 OK |

15.47.3 Defined values :

<mode>

0 : Stop automatic shots

1 : One shot requested

2 : Automatic shots requested (every x seconds)

3 : Configuration of the wished information

for <mode> = 2 :

<time period> optional parameter -

Range : [5 - 255] - in seconds

it has to be a multiple of 5.

default value of time period : 5 seconds

The automatic mode for location is saved in EEPROM, so will be taken into account after an Init (+WLOC:... will be displayed).

Fields of the response to AT+WLOC=1 or AT+WLOC=2 :

The format of these fields are as specified in 04.08 :

| Parameter | Type |
|---------------------|--|
| MCC-MNC | 3 bytes |
| LAC | 2 bytes |
| CI | 2 bytes |
| Network measurement | 16 bytes |
| BCCH channel list | Maximum 48 bytes (version V0) Or 129 bytes (version V1) |
| Timing Advance | 1 byte |
| Date and Time | 7 bytes : Date, time and timezone at STLK Format |

for mode = 3 :

<dump> optional parameter

Range : [1-255] (at least 1 bit set to 1).

- if bit 0 set to 1 (value 1) : DaT will be returned in the response
- if bit 1 set to 1 (value 2) : TA will be returned in the response
- if bit 2 set to 1 (value 4) : BCCH will be returned in the response
- if bit 3 set to 1 (value 8) : NetMeas will be returned in the response
- if bit 4 set to 1 (value 16) : CI will be returned in the response
- if bit 5 set to 1 (value 32) : LAC will be returned in the response
- if bit 6 set to 1 (value 64) : MNC-MCC will be returned in the response

Notes :

- After having downloaded the EEPROM configuration: default value of **<dump>** is 0xFF (all information returned).
- The **<dump>** value set with the command "at+wloc=3,xx" is saved in EEPROM, so it will be taken into account after an Init.

Fields of the response to AT+WLOC? :

The response is built as follows

+WLOC: <mode>,<timeperiod>,<dump>

<mode> :

0 : no automatic mode

1 : automatic mode

<timeperiod>, **<dump>** :see above.

15.48 Wavecom Bus Read +WBR

15.48.1 Description

This **specific** command allows to read a buffer from a specific bus (SPI, I2C Soft or Parallel).

Note : Bus configuration is set by the **+WBM** command.

15.48.2 Syntax

Command syntax : AT+WBR=<BusId>,<Size>[,<Address>[,<Opcode>]]

Response syntax : +WBR: <Data><CR><LF>

OK

| Command | Possible responses |
|---|--------------------------------|
| AT+WBR=0,9,"ABFF","C9" <i>Note : Read 9 bytes from the SPI bus, after having sent the 0xC9 Opcode byte and ABFF Address.</i> | +WBR: 0A5F98231012345678 OK |
| AT+WBR=1,5,"2A" <i>Note : Read 5 bytes from the I2C Soft bus, at the 0x2A slave address.</i> | +WBR: 0102030405 OK |
| AT+WBR=2,2,0 <i>Read 2 bytes from the Parallel bus with the A2 pin set to 0.</i> | +WBR: A000 OK |

15.48.3 Defined values

< BusId >

0 : SPI bus.

1 : I2C Soft bus.

2 : Parallel bus.

<Size>

Size of data to read, in bytes (**max 256 bytes**).

<Address>

- For SPI bus :

On Q24X3 and P32X3 products :

Up to 2 address bytes as an ASCII hexadecimal string, usable only if the <opcode> byte is set.

If the address field is not used, the parameter must not be set (**default**).

On Q24X6 and P32X6 products :

Up to 4 address bytes as an ASCII hexadecimal string.

If the <address> field is not used, the parameter must not be set (**default**).

- For Parallel bus :

0 : set the A2 pin to 0 (**default**)

1 : set the A2 pin to 1

- For I2C Soft bus :

Slave address byte, in hexadecimal format (**default is 0x00**).

This is a 7-bits address, shifted to left from 1 bit, padded with the LSB set to 1 (to read), and sent first on the I2C bus before performing the read operation.

<Opcode> (for SPI bus only)

On Q24X3 and P32X3 products :

Up to 1 opcode byte as an ASCII hexadecimal string.

If the <opcode> field is not used, the parameter must not be set (default).

On Q24X6 and P32X6 products :

Up to 4 opcode bytes as an ASCII hexadecimal string.

If the <opcode> field is not used, the parameter must not be set (default).

15.49 Wavecom Bus Write +WBW

15.49.1 Description

This **specific** command allows to write a buffer on a specific bus (SPI, I2C soft or parallel).

Note : Bus configuration is set by the +WBM command.

15.49.2 Syntax

Command syntax: AT+WBW=<BusId>,<Size>[,<Address>]<CR>
<Data Buffer> <ctrl-Z >

| Command | Possible responses |
|---|---|
| AT+WBW=0,10<CR> 0123456789ABCDEF0123<ctrl-Z> <i>Note : Write 10 bytes on the SPI bus.</i> | OK <i>Note : Data buffer is written on SPI bus.</i> |
| AT+WBW=1,5<CR> 0246801234<ctrl-Z> <i>Note : Write 5 bytes on the I2C Soft bus.</i> | OK <i>Note : Data buffer is written on I2C Soft bus.</i> |
| AT+WBW=2,2,0<CR> 434F<ctrl-Z> <i>Note : Write 2 bytes on the Parallel bus with the A2 pin set to 0.</i> | OK <i>Note : Data buffer is written on PARALLEL bus.</i> |

15.49.3 Defined values

<BusId>

0 : SPI bus.

1 : I2C Soft bus.

2 : Parallel bus.

<Size>

Size of data buffer, in bytes. (max. 256 bytes)

<Address>

- For SPI bus :
Not Used
- For Parallel bus :
0 : set the A2 pin to 0 (default)
1 : set the A2 pin to 1
- For I2C Soft bus :

Slave address byte, in hexadecimal format (**default "00"**).
This is a 7-bits address, shifted to left from 1 bit, padded with the LSB set to 0 (to write), and sent first on the I2C bus before performing the writing operation.

<Data Buffer> : Data buffer to write on the specific bus.
This parameter must only contain hexadecimal characters (0-9, A-F) **Its length must be twice the <Size> parameter.**

15.50 Wavecom Bus Management +WBM

15.50.1 Description

This **specific** command allows to manage specific buses (SPI, I2C Soft, Parallel) with a given configuration.

15.50.2 Syntax

- Command Syntax for SPI bus

AT+WBM=<BusId>,<Mode>,[<Clock_Speed>],[<Clock_Mode>],
[<ChipSelect>],[<ChipSelectPolarity>],[<LsbFirst>],
[<Gpio ChipSelect>],[<Gpio Handling>]

- Command Syntax for I2C bus

AT+WBM=<BusId>,<Mode>,[<Scl_Gpio>],[<Sda_Gpio>]

- Command Syntax for parallel

The parameters depend on ChipSelect configuration :

if CS is Gpio 5 :

AT+WBM=<BusId>,<Mode>,[<Chip_Select>],[<Order>],[<Gpio_NbWaitS
tate>]

if CS is LCD_EN

AT+WBM=<BusId>,<Mode>,[<Chip_Select>],[<Order>],
[<LCDEN_AddressSetupTime>],
[<LCDEN_SignalPulseDuration>],
[<LCDEN_PolarityControl>]

| Command | Possible responses |
|--|-------------------------------|
| AT+WBM=0,1,1,3,1,0,1 <i>Open SPI bus with configuration :</i> <i>(on Q24X3 product)</i> <i>Clock Speed : 812 kHz</i> <i>Clock Mode : 3</i> <i>ChipSelect : LCDEN</i> <i>ChipSelectPolarity : LOW</i> <i>LsbFirst : MSB</i> | OK |
| AT+WBM=1,1,0,4 <i>Open I2C Soft bus with configuration :</i> <i>Scl Gpio : 0</i> <i>Sda Gpio : 4</i> | OK |
| AT+WBM=2,1,0,1,10, 31,0 <i>Open PARALLEL bus with configuration :</i> <i>(on P32X3 product)</i> <i>ChipSelect : LCDEN</i> <i>Order: Direct</i> <i>LcdenAddressSetUpTime: 10</i> <i>LcdenSignalPulseDuration : 31</i> <i>PolarityControl : low</i> | OK |
| AT+WBM=0,2 | +WBM: 0,1,1,3,1,0,1,0,0 OK |
| AT+WBM=1,0 <i>Close I2C bus.</i> | OK |
| AT+WBM=1,2 | +WBM: 0,0,0,4 OK |
| AT+WBM=1,1 <i>Open I2C Soft bus with the last configuration :</i> <i>Scl Gpio : 0</i> <i>Sda Gpio : 4</i> | OK |
| AT+WBM = 1,2 | +WBM: 1,1,0,4 OK |

15.50.3 Defined values

<BusId>

0 : SPI bus.

1 : I2C bus.

2 : Parallel bus. *(Only on Wismo Pac products)*

<Mode>

0 : close bus.

1 : open bus.

2 : get bus status.

15.50.3.1 for SPI bus :

<Clock Speed>

| Q24X3 and P32X3 products | | Q24X6 and P32X6 products | |
|--------------------------|-----------|--------------------------|-----------|
| Value | Frequency | Value | Frequency |
| 0 (default) | 101 kHz | 0 (default) | 13 MHz |
| 1 | 812 kHz | 1 | 6,5 MHz |
| 2 | 1,625 MHz | 2 | 4,33 MHz |
| 3 | 3,25 MHz | 3 | 3,25 MHz |
| | | 4 | 2,6 MHz |
| | | 5 | 2,167 MHz |
| | | 6 | 1,857 MHz |
| | | 7 | 1,625 MHz |
| | | 8 | 1,44 MHz |
| | | 9 | 1,3 MHz |
| | | 10 | 1,181 MHz |
| | | 11 | 1,083 MHz |
| | | 12 | 1 MHz |
| | | 13 | 926 kHz |
| | | 14 | 867 kHz |
| | | 15 | 812 kHz |

<Clock Mode>

- 0 : rest state is 0, the data is valid on rising edge (**default value**).
- 1 : rest state is 0, the data is valid on falling edge.
- 2 : rest state is 1, the data is valid on rising edge.
- 3 : rest state is 1, the data is valid on falling edge.

<ChipSelect> (default 0)

0 : GPIO (**default value**)

Note : See <GpioChipSelect> and <GpioHandling> parameters.

1 : SPI_EN on Q24X3 and P32X3 products

Note :

on Q24X6 product, the SPI_EN pin is replaced by the GPO 3 output (Gpio ChipSelect = 7, refer to +WIOM command)

on P32X6 product, the SPI_EN pin is replaced by the GPIO 8 output (Gpio ChipSelect = 7, refer to +WIOM command)

2 : SPI_AUX on Q24X3 and P32X3 products

Note :

on Q24X6 and P32X6 products, the SPI_AUX pin is replaced by the GPO 0 output (Gpio ChipSelect = 6, please refer to the +WIOM command)

<ChipSelectPolarity>

- 0 : LOW (Chip select signal is valid on low state). (**Default value**).
- 1 : HIGH (Chip select signal is valid on high state)

<LsbFirst>

- 0 : LSB (Data are sent with LSB first)
- 1 : MSB (Data are sent with MSB first) (**default value**)

<Gpio ChipSelect > if ChipSelect = GPIO (default GPIO 0, see § [15.12.3](#))

The GPIO value is between 0 and 7.

It must be a GPIO or a GPO (not a GPI), and not allocated by any Open-AT embedded application.

Please refer to +WIOM command

<Gpio Handling > if ChipSelect = GPIO

0 : SPI BYTE (GPIO signal pulse on each written or read byte)

1 : SPI FRAME (GPIO signal works as a standard Chip Select signal) (**default value**)

15.50.3.2 for I2C bus :

<Scl Gpio> (default value is 0)

The Scl GPIO value is between **0** and **7**.

It must be a GPIO (not a GPI or GPO) and not allocated by an Open-AT embedded application.

<Sda Gpio> (default value is 4)

The Sda GPIO value is between **0** and **7**.

It must be a GPIO (not a GPI or GPO) and not allocated by an Open-AT embedded application.

15.50.3.3 for Parallel bus (only on Pac products) :

<ChipSelect> (default value is 1)

0 : GPIO 5 (it must not be allocated by any Open-AT application)

1 : LCDEN (same pin as SPI_EN, and Gpio 8 on P32X6 products (it must not be allocated by any Open-AT application))

<Order> (default value is 0)

0 : DIRECT

1 : REVERSE

<LCDEN AddressSetupTime> if ChipSelect = LCDEN (default value is 0)

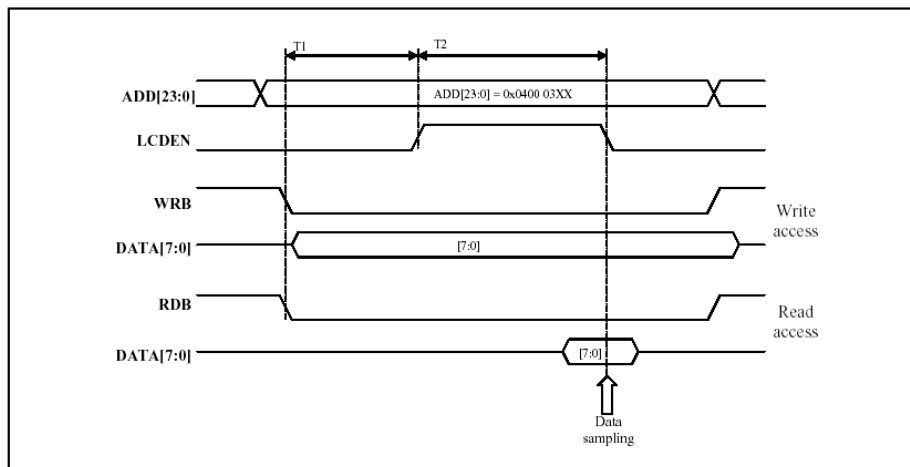
The **<Lcd AddressSetupTime>** value is between **0** and **31**.

The resulting time is :

*For P32X3 product : (X * 38.5) ns ;*

*For P32X6 product : (1 + 2 X) * 19 ns.*

This is the time between the setting of an address on the bus, and the activation of the LCD_EN pin (T1 on the figure bellow).



<LCDEN SignalPulseDuration> if ChipSelect = LCDEN (default value is 0)

The <Lcd LcdenSignalPulseDuration> value is between 0 and 31.

The resulting time is :

*For P32X3 product : $(X + 1.5) * 38.5 \text{ ns}$;*

*For P32X6 product : $(1 + 2 * (X + 1)) * 19 \text{ ns}$*

(Warning, for this product, the 0 value is considered as 32).

This is the time during which the LCD_EN signal is valid (T2 on the figure above).

<LCDEN PolarityControl> if ChipSelect = LCDEN (default value is 0)

0 : LOW (LCD_EN signal is valid on low state)

1 : HIGH (LCD_EN signal is valid on high state)

<GPIO NbWaitState> if ChipSelect = GPIO (default value is 0)

This is the time during which the data is valid on the bus.

0 : 62 ns

1 : 100 ns

2 : 138 ns

3 : 176 ns

Notes :

- If one or two IOs are needed by a bus, they are not available any more for the +WIOR , +WIOW, +WIOM commands. When the corresponding bus is closed, these commands resume the control of the IOs.
- A bus may not be available for an open operation if an Open-AT embedded application has opened it before with the same parameters. In this case, the +WBM command will return +CME ERROR: 3.

15.51 Wavecom Hang-up +WATH

15.51.1 Description

This **specific** command is used by the application to disconnect the remote user, specifying a release cause and the location. In the case of multiple calls, all calls are released (active, on-hold and waiting calls).

15.51.2 Syntax

Command Syntax AT+WATH=<RelCause>,<location>

| | |
|--|--|
| AT+WATH=31 <i>Note : Ask for disconnection with release cause=normal and location=USER</i> | OK <i>Note : Every call, if any, are released</i> |
| AT+WATH=? | +WATH: (1-127) , (0-5,7,10) |
| AT+WATH=17,2 <i>Note : Ask for disconnection with release cause=user busy and location= public network serving the local user</i> | OK <i>Note : Every call, if any, are released</i> |

15.51.3 Defined values

<RelCause> :

decimal value from 1 to 127 (see the table in appendix 18.4 "[Failure Cause from GSM 04.08 recommendation](#)")

<location> :

optional parameter (default value =0)

values as defined in 04.08

0 : user

1 : private network serving the local user

2 : public network serving the local user

3 : transit network

4 : public network serving the remote user

5 : private network serving the remote user

7 : international network

10 : network beyond interworking point

Notes :

"AT+WATH=0" has the same behaviour as "ATH"

15.52 Write IMEI +WIMEI

15.52.1 Description

The download of the IMEI is available through this **specific** command. This operation is possible only if the module contains the default IMEI.

The IMEI can only be downloaded once.

WAVECOM confidential ©

Page : 210 / 318

This document is the sole and exclusive property of WAVECOM. Not to be distributed or divulged without prior written agreement. Ce document est la propriété exclusive de WAVECOM. Il ne peut être communiqué ou divulgué à des tiers sans son autorisation préalable.

No password is needed. If the download is not correct, only Wavecom can reset the IMEI.

15.52.2 Syntax

Command syntax `AT+WIMEI=<IMEI>`

| Command | Possible responses |
|--|--|
| AT+WIMEI? <i>Request IMEI</i> | +WIMEI: 123456789012345 OK <i>Note: Default IMEI present in EEPROM</i> |
| AT+WIMEI=123456789099995 First Download | OK |
| AT+WIMEI=12345 <i>First Download with wrong length of the string</i> | +CME ERROR: 24 |
| AT+WIMEI=123456789999996 <i>Try to overwrite an IMEI already downloaded</i> | +CME ERROR: 3 |
| AT+WIMEI? <i>Request IMEI</i> | +WIMEI: 123456789099995 OK <i>Note: IMEI present in EEPROM</i> |
| AT+WIMEI=? | OK <i>Note: Command valid</i> |

15.52.3 Defined values

<IMEI>

14 or 15 digits as defined by GSM 03.03.

15.53 Write IMEI SVN: +WSVN

15.53.1 Description

The update of the IMEI SVN is available through this **specific** command.

15.53.2 Syntax

Command syntax : AT+WSVN=<IMEISVN>

| Command | Possible responses |
|--|---|
| AT+WSVN? <i>Note: Request IMEI SVN</i> | +WSVN: 10 OK <i>Note: IMEI SVN present in EEPROM</i> |
| AT+WSVN=11 <i>Note: Update the IMEI SVN</i> | OK |
| AT+WSVN=256 | +CME ERROR: 24 <i>Note: wrong length of the string. 1 <= IMEI SVN <= 255</i> |
| AT+WSVN=? | +WSVN: (1-255) OK <i>Note: Command valid</i> |

15.53.3 Defined values

<IMEI SVN> IMEI SVN value between 1 and 255

15.54 Wavecom multi-band selection command: +WMBS

15.54.1 Description

This command permits to select the GSM bands on which the module have to work. This command is allowed only if the selected bands are supported. The module have to be reset to take this change into account.

15.54.2 Syntax

Command syntax : AT+WMBS=<Band>

| Command | Possible responses |
|----------------|---|
| AT+WMBS=<Band> | OK <i>Note: Band mode selected</i> |
| AT+WMBS=<Band> | +CME ERROR: 3 <i>Note: Band not allowed</i> |
| AT+WMBS? | +WMBS:<Band>,<ResetFlag> OK <i>Note: current selected band mode is returned</i> |
| AT+WMBS=? | +WMBS: (0,3,4) OK <i>Note: Only 850 mono-band or 850-1900 bi-band are available</i> |
| AT+WMBS=? | +WMBS: (0,1,2,3,4,5,6) OK <i>Note: all bands are available</i> |

15.54.3 Defined values

<Band> : frequency band configuration to be supported

- 0 : mono-band mode 850 MHz
- 1 : mono-band mode 900 MHz
- 2 : mono-band mode 1800 MHz
- 3 : mono-band mode 1900 MHz
- 4 : dual-band mode 850/1900 MHz
- 5 : dual-band mode 900/1800 MHz
- 6 : dual-band mode 900/1900 MHz

<ResetFlag>

- 0 : the feature was not modified since the last boot of the product.
- 1 : the feature has been modified since the last boot of the product : it has to be reset in order to take the modification into account.

16 SIM TOOLKIT

16.1 Overview of SIM Application ToolKit

16.1.1 Summary

SIM ToolKit, also known as "SIM Application ToolKit" introduces functionalities, which open the way to a broad range of value added services. The principle is to allow service providers to develop new applications (*e.g.. for banking, travel, ticket booking, etc.*) for subscribers and to download them into the SIM.

This solution allows new services to be accessible to the user by adding new SIM-based applications without modifying the handset.

16.1.2 Functionality

SIM Toolkit refers to the functionalities described in the GSM Technical specification 11.14.

It introduces twenty five commands for the SIM. Three classes of increasing ToolKit functionalities have been defined, with class 1 offering a subset of commands and class 3 offering the full range of commands (*See table 1 in APPENDIX B*).

The SIM Application Toolkit supports:

- ☞ profile download,
- ☞ proactive SIM,
- ☞ data download into SIM.
- ☞ menu selection,
- ☞ call control by SIM.

16.1.3 Profile download

The Profile Download instruction is sent by the customer application to the SIM as part of the initialization. It is used to indicate which SIM Application Toolkit features is supported by the customer application.

The AT command used for this operation is **+STSF** (*SIM ToolKit Set Facilities*).

16.1.4 Proactive SIM

A proactive SIM provides a mechanism whereby the SIM can ask the customer application to perform certain actions.

These actions include:

- display menu,
- display given text,
- get user input,
- send a short message,
- play the requested tone,
- set up a call,

- provide location information.

This mechanism allows SIM applications to generate powerful menu-driven sequences on the customer application and to use services available in the network.

The commands used for this operation are:

- +STIN (SIM Toolkit Indication),
- +STGI (SIM Toolkit Get Information),
- +STGR (SIM Toolkit Give Response).

16.1.5 Data Download to SIM

Data downloading to the SIM (SMS, phonebook...) allows data or programs (Java applets) received by SMS or by Cell Broadcast to be transferred directly to the SIM Application.

This feature does not need any AT command. It is transparent to the customer application.

16.1.6 Menu Selection

A set of menu items is supplied by the SIM Application ToolKit. The menu selection command can then be used to signal to the SIM Application which menu item is selected.

The commands used for this operation are +STIN, +STGI and +STGR.

16.1.7 Call control by SIM

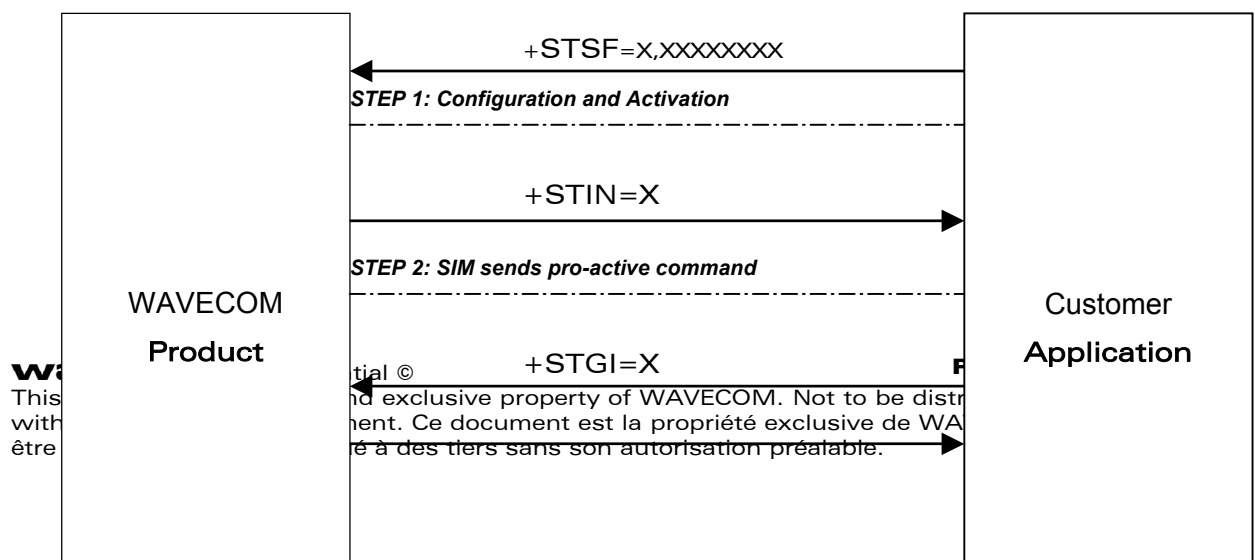
The call control mechanism allows the SIM to check all dialed numbers, supplementary service control strings and USSD strings before connecting to the network. This gives the SIM the ability to allow, bar or modify the string before the operation starts.

The commands used for this operation are :

- +STCR (SIM Toolkit Control Response),
- +STGR (SIM Toolkit Give Response).

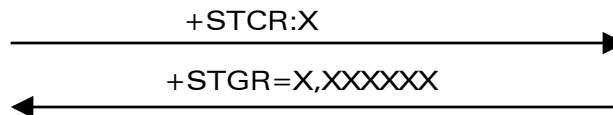
16.2 Messages exchanged during a SIM Toolkit operation.

The following scheme shows the SIM Toolkit commands and unsolicited results that are exchanged.



+STGI response

STEP 3: Customer application gets all the information.



Step 4: User response is sent to the SIM.

On the first step, the customer application informs the WAVECOM product which facilities are supported. This operation is performed with the **+STSF** (*SIM ToolKit Set Facilities*) command, which also allows to activate or deactivate the SIM Toolkit functionality.

On the second step, an unsolicited result **+STIN** (*SIM ToolKit indication*) is sent by the product, indicating to the customer application which command type the SIM Application Toolkit is running on the SIM card. The last SIM Toolkit indication can be requested by the **+STIN?** command.

On the third step, the customer application uses the **+STGI** (*SIM ToolKit Get Information*) command to get all the information about the SIM Toolkit command, returned by a **+STIN** message.

On the fourth step, the customer application uses the **+STGR** (*SIM ToolKit Give Response*) to send its response (*if any*) to the SIM ToolKit Application.

The **+STCR** (*SIM ToolKit Control response*) indication is an unsolicited result sent by the SIM when Call control functionality is activated and before the customer application has performed any outgoing call, SMS, SS, or USSD.

16.3 SIM TOOLKIT COMMANDS

16.3.1 SIM ToolKit Set Facilities (+STSF)

16.3.1.1 Description

This command allows SIM Toolkit facilities to be activated, deactivated or configured.

16.3.1.2 Syntax

Command syntax :

+STSF=<mode>[,<config>][,<Timeout>][,<AutoResponse>]

| Command | Possible responses |
|--|---|
| +STSF=<Mode>[,<Config>][,<Timeout>][,<AutoResponse>] | OK +CME ERROR: <err> |
| +STSF? | +STSF: <Mode>,<Config>,<Timeout>,<Autoresponse> |
| +STSF=? | +STSF: (0-2), (160060C01F - 5FFFFFFF7F),(1-255),(0-1) OK |

16.3.1.3 Defined values

<mode>

0 : Deactivates the SIM Toolkit functionalities.

1 : Activates the SIM Toolkit functionalities.

2 : Configures the SIM Toolkit functionalities.

<Config>

(160060C01F – 5FFFFFFF7F) (*hex format*)

<Timeout>

Range 1 to 255 : Timeout for user responses (multiple of 10 seconds).

<Autoresponse>

0 : Automatic response is not activated

1 : Automatic response is activated

Notes :

- The activation or deactivation of the SIM Toolkit functionalities requires the use of the +CFUN (*Set phone functionality*) command to reset the product. This operation is not necessary if PIN is not entered yet.
- The **<Config>** parameter gives the coding of the TERMINAL PROFILE, precisely the list of SIM Application Toolkit facilities that are supported by the customer application.
- The **<Timeout>** parameter (multiple of 10 seconds) sets the maximum time for the user action (to select an item, to input a text, etc).
- When **<Autoresponse>** is activated, the +STIN indication for Play Tone (5), Refresh (7), Send SS (8), Send SMS (9) or Send USSD (10) is automatically followed by the corresponding +STGI response.

Note:

Some bits are related to the product only and not to the customer application.

The product automatically sets these bits to either 0 or 1 whatever the user enters with the +STSF command. Those values are given in Appendix C.

Each facility is coded on 1 bit:

- bit = 1: facility is supported by the customer application.
- bit = 0: facility is not supported by the customer application.

Only the first five bytes of the TERMINAL PROFILE (Class 2) can be configured, the other are set to 0. (See structure of TERMINAL PROFILE in APPENDIX C)

16.3.1.4 Error codes

+CME ERROR: 3 **Operation not allowed.** This error is returned when a wrong parameter is entered.

16.3.1.5 Example

```
AT+CMEE=1                            Enable the reporting of mobile equipment errors
OK
AT+WIND=15                            Set Wavecom indications
OK
AT+CPAS                               Query ME Status
+CPAS: 0                              ME is ready.
OK
AT+STSF=?                            Test command SIM ToolKit Set Facilities
+STSF: (0-2), (160060C01F - 5FFFFFFF7F),(1-255)
OK
AT+STSF?                             +STSF: 0,"160060C000",3            No activation of SIM ToolKit functionality
OK
AT+STSF=2,"5FFFFFFF7F" Set all SIM ToolKit facilities (class 3).
OK
AT+STSF=3                            Syntax Error
+CME ERROR: 3
AT+STSF=1                            Activation of SIM ToolKit functionality
OK
AT+CFUN=1                            Reboot Software.
OK
AT+CPIN?                             Is the ME requiring a password?
+CPIN: SIM PIN                       Yes, SIM PIN required
AT+CPIN=0000
OK                                    PIN Ok
+WIND: 4                             Init phase is complete
AT+STSF?                             +STSF: 1,"5FFFFFFF7F",3   SIM ToolKit functionality activated with all facilities
OK
```

16.3.2 SIM ToolKit Indication (+STIN)

16.3.2.1 Unsolicited result

In order to allow the customer application to identify the pro-active command sent via SIM ToolKit, a mechanism of unsolicited SIM ToolKit indications (**+STIN**) is implemented.

Syntax : +STIN: <CmdType>

<CmdType>

0 : a 'Setup Menu' pro-active command has been sent from the SIM.

- 1 : a 'Display Text' pro-active command has been sent from the SIM.
- 2 : a 'Get Inkey' pro-active command has been sent from the SIM.
- 3 : a 'Get Input' pro-active command has been sent from the SIM.
- 4 : a 'Setup Call' pro-active command has been sent from the SIM.
- 5 : a 'Play Tone' pro-active command has been sent from the SIM. (*)
- 6 : a 'Sel Item' pro-active command has been sent from the SIM.
- 7 : a 'Refresh' pro-active command has been sent from the SIM. (*)
- 8 : a 'Send SS' pro-active command has been sent from the SIM. (*)
- 9 : a 'Send SMS' pro-active command has been sent from the SIM. (*)
- 10 : a 'Send USSD' pro-active command has been sent from the SIM. (*)
- 11 : a 'SETUP EVENT LIST' pro-active command has been sent from the SIM.
- 98 : timeout when no response from user.
- 99 : a "End Session" has been sent from the SIM.

(*) if the automatic response parameter is activated, this indication is followed by the corresponding +STGI response.

16.3.2.2 Last SIM toolkit indication

The last SIM toolkit indication sent by the SIM can be requested by the **AT+STIN?** command. This command is only usable between the sending of the STIN indication by the SIM (step 2 : see section 16.2) and the response of the user with the +STGI command (step 3).

Command syntax : +STIN?

| Command | Possible responses |
|---|---|
| +STIN? <i>Note : Ask for the last SIM toolkit indication sent by the SIM</i> | +STIN: 0 OK <i>Note : the last SIM toolkit indication was a Setup Menu</i> |
| +STGI=0 | <i>Note : Display the SIM toolkit application menu</i> |
| +STIN? <i>Note : Ask for the last SIM toolkit indication sent by the SIM</i> | +CME ERROR: 4 <i>Note : operation not supported, the +STGI command has been already used</i> |

16.3.3 SIM ToolKit Get Information (+STGI)

16.3.3.1 Description

This command allows to get the information (*text to display, Menu information, priorities...*) of a pro-active command sent from the SIM. The information is returned only after receiving a SIM Toolkit indication (**+STIN**).

16.3.3.2 Syntax

Command syntax : +STGI=<CmdType>

| Command | Possible responses |
|-----------------|----------------------------------|
| +STGI=<CmdType> | See Table 1 +CME ERROR: <err> |
| +STGI=? | +STGI: (0-11) OK |

Table 1

| Cmd Type | Description | Possible responses |
|----------|--|---|
| 0 | Get information about 'Setup Menu' pro-active command. | +STGI: <Alpha Identifier menu> +STGI: <Id1>,<NbItems>,<Alpha Info>[,<NextActionId>]<CR><LF> +STGI: <Id2>,<NbItems>,<Alpha Info>[,<NextActionId>]<CR><LF> [...] No action expected from SIM. |
| 1 | Get information about 'Display text' pro-active command. | +STGI: <Prior>,<Text>,<ClearMode> No action expected from SIM. |
| 2 | Get information about 'Get Inkey' pro-active command. | +STGI: <Format>,<HelpInfo>[,<TextInfo>] SIM expects key pressed (+STGR). |
| 3 | Get information about 'Get Input' pro-active command. | +STGI: <Format>,<EchoMode>,<SizeMin>,<SizeMax>,<HelpInfo>[,<TextInfo>] SIM expects key input (+STGR). |
| 4 | Get information about 'Setupt call' pro-active command. | +STGI: <Type>,<CalledNb>,<SubAddress>,<Class> SIM expects user authorization (+STGR). |
| 5 | Get information about 'Play Tone' pro-active command. | +STGI: <ToneType>[,<TimeUnit>,<TimeInterval>,<TextInfo>] No action. |
| 6 | Get information about 'Sel Item' pro-active command. | +STGI: <DefaultItem>,<Alpha Identifier menu><CR><LF> +STGI: <Id1>,<NbItems>,<Alpha Info>[,<NextActionId>]<CR><LF> +STGI: <Id2>,<NbItems>,<Alpha Info>[,<NextActionId>]<CR><LF> [...] SIM expects an item choice (+STGR). |

| Cmd Type | Description | Possible responses |
|----------|--|---|
| 7 | Get information about 'Refresh' pro-active command. | +STGI: <RefreshType> No action (Refresh done automatically by product). |
| 8 | Get information about 'Send SS' pro-active command. | +STGI:<TextInfo> No action (Send SS done automatically by product). |
| 9 | Get information about 'Send SMS' pro-active command. | +STGI: <TextInfo> No action (Send SMS done automatically by product). |
| 10 | Get information about 'Send USSD' pro-active command. | +STGI: <TextInfo> No action (Send USSD done automatically by product). |
| 11 | Get information about 'SETUP EVENT LIST' pro-active command. | +STGI: <Evt> |

16.3.3.3 Defined values

Values when CmdType=0 (Setup menu)

| | |
|-------------------------|---|
| <Alpha Identifier menu> | Alpha identifier of the main menu. |
| <Idx> (1-255) | Menu item Identifier. |
| <NbItems> (1-255) | Number of items in the main menu. |
| <Alpha Idx Label> | Alpha identifier label of items in ASCII format. |
| <HelpInfo> | |
| 0: | No help information available. |
| 1: | Help information available. |
| <NextActionId> | Contains a pro-active command identifier. (see the table in APPENDIX D) |

Compared to other commands the customer application can always get information about setup menu after having received the +STIN:0 indication.

Values when CmdType=1 (Display text)

| | |
|-------------|---|
| <Prior> | |
| 0: | Normal priority of display. |
| 1: | High priority of display. |
| <Text> | Text to display in ASCII format. |
| <ClearMode> | |
| 0: | Clear message after a delay (3 seconds) |
| 1: | Wait for user to clear message. |

Values when CmdType=2 (Get Inkey)

| | |
|----------|--------------------------|
| <Format> | |
| 0: | Digit (0-9, *, #, and +) |
| 1: | SMS alphabet default. |

| | |
|------------|-----------------------------------|
| 2: | UCS2 |
| <HelpInfo> | |
| 0: | No help information available. |
| 1: | Help information available. |
| <TextInfo> | Text information in ASCII format. |

Values when CmdType=3 (Get Input)

| | |
|-------------------|-----------------------------------|
| <Format> | |
| 0: | Digit (0-9, *, #, and +) |
| 1: | SMS alphabet default. |
| 2: | UCS2 |
| 3: | Unpacked format. |
| 4: | Packed format. |
| <EchoMode> | |
| 0: | Echo off. |
| 1: | Echo on. |
| <SizeMin> (1-255) | Minimum length of input. |
| <SizeMax> (1-255) | Maximum length of input. |
| <HelpInfo> | |
| 0: | No help information available. |
| 1: | Help information available. |
| <TextInfo> | Text information in ASCII format. |

Values when CmdType=4 (Setup Call)

| | |
|-------------|---|
| <Type> | |
| 0: | Set up call but only if not currently busy on another call. |
| 1: | Set up call, putting all other calls (if any) on hold. |
| 2: | Set up call, disconnecting all other calls (if any). |
| <CalledNb> | Called party number in ASCII format. |
| <SubAdress> | Called party sub-address in ASCII format. |
| <Class> | |
| 0: | Voice call. |
| 1: | Data call. |
| 2: | Fax call |

Values when CmdType=5 (Play tone)

| | |
|------------|---------------------|
| <ToneType> | |
| 0: | Tone Dial. |
| 1: | Tone Busy. |
| 2: | Tone Congestion. |
| 3: | Tone Radio ack |
| 4: | Tone Dropped. |
| 5: | Tone Error. |
| 6: | Tone Call waiting. |
| 7: | Tone Ringing. |
| 8: | Tone General beep. |
| 9: | Tone Positive beep. |
| 10: | Tone Negative beep. |
| <TimeUnit> | |

| | |
|------------------------|--------------------------------------|
| 0: | Time unit used is minutes. |
| 1: | Time unit used is seconds. |
| 2: | Time unit used is tenths of seconds. |
| <TimeInterval> (1-255) | Time required expressed in units. |
| <TextInfo> | Text information in ASCII format. |

Values when CmdType=6 (Sel Item)

| | |
|-------------------------|---|
| <DefaultItem> (1-255) | Default Item Identifier. |
| <Alpha Identifier menu> | Alpha identifier of the main menu. |
| <Idx> (1-255) | Identifier items. |
| <NbItems> (1-255) | Number of items in the menu. |
| <Alpha Idx Label> | Alpha identifier label of items in ASCII format. |
| <HelpInfo> | |
| 0: | No help information available. |
| 1: | Help information available. |
| <NextActionId> | Contains a pro-active command identifier. (see the table in APPENDIX D) |

Values when CmdType=7 (Refresh)

| | |
|---------------|---|
| <RefreshType> | |
| 0: | SIM initialization and full file change notification. |
| 1 | File change notification. |
| 2 | SIM initialization and file change notification. |
| 3 | SIM initialization. |
| 4 | SIM reset. |

Values when CmdType=8 (Send SS)

| | |
|------------|-----------------------------------|
| <TextInfo> | Text information in ASCII format. |
|------------|-----------------------------------|

Values when CmdType=9 (Send SMS)

| | |
|------------|-----------------------------------|
| <TextInfo> | Text information in ASCII format. |
|------------|-----------------------------------|

Values when CmdType=10 (Send USSD)

| | |
|------------|-----------------------------------|
| <TextInfo> | Text information in ASCII format. |
|------------|-----------------------------------|

Values when CmdType=11 (Setup Event List)

| | |
|-------|---|
| <Evt> | |
| 1: | Reporting asked for an 'Idle Screen' event. |
| 2: | Reporting asked for an 'User Activity' event. |
| 3: | Reporting asked for 'Idle Screen' and 'User Activity' events. |
| 4: | Cancellation of reporting event. |

Rem : For the UCS2 format texts are displayed in Hexa Ascii format. Example : When the SIM sends a TextString containing 0x00 0x41 the text displayed is "0041".

16.3.3.4 Error codes

- + CME ERROR: 3 **Operation not allowed.** This error is returned when a wrong parameter is detected.
- +CME ERROR: 4 **Operation not supported.** This error is returned when the user wants to get information about a SIM ToolKit proactive command (with SIM ToolKit functionality not activated.)
- +CME ERROR: 518 **SIM ToolKit indication not received.** This error is returned when the SIM Toolkit indication (**+STIN**) has not been received.

16.3.3.5 Example

Initially, all facilities are activated, the PIN is not required and SIM toolkit functionality is activated.

```

AT+CMEE=1           Enable the reporting of mobile equipment errors
OK
AT+WIND=15         Set Wavecom indications
OK
AT+STSF?
+STSF: 1,"5FFFFFFF7F",3   SIM ToolKit functionality activated with all facilities.
OK
+STIN: 0           The main menu has been sent from the SIM.
AT+STIN?
+STIN: 0
OK
AT+STGI=0          Get information about the main menu
+STGI: "SIM TOOLKIT MAIN MENU" Main menu contains 3 items.
+STGI: 1,3,"BANK",0
+STGI: 2,3,"QUIZ",0
+STGI: 3,3,"WEATHER",0
OK
AT+STIN?
+CME ERROR: 4
  
```

16.3.4 Unsolicited Result : SIM ToolKit Control Response (+STCR)

When the customer application makes an outgoing call or an outgoing SMS and if the call control facility is activated, CALL CONTROL and SMS CONTROL responses can be identified. This is also applicable to SS calls.

Syntax : +STCR: <Result>[,<Number>,<MODestAddr>,<TextInfo>]

Option :

<Result>

0: Control response not allowed.

1: Control response with modification.

<Number> Called number, Service Center Address or SS String in ASCII format.

<MODestAddr> MO destination address in ASCII format.

<TextInfo> Text information in ASCII format.

16.3.5 SIM ToolKit Give Response (+STGR)

16.3.5.1 Description

This command allows the application/user to select an item in the main menu, or to answer the following proactive commands :

- GET INKEY Key pressed by the user.
- GET INPUT Message entered by the user.
- SELECT ITEM Selected item.
- SETUP CALL User confirmation.
- DISPLAY TEXT User confirmation to clear the message.
- SETUP EVENT LIST Reporting events.

It is also possible to terminate the current proactive command session by sending a Terminal Response to the SIM, with the following parameters :

- BACKWARD MOVE Process a backward move
- BEYOND CAPABILITIES Command beyond ME capabilities
- UNABLE TO PROCESS ME is currently unable to process command
- NO RESPONSE No response from the user
- END SESSION User abort.

16.3.5.2 Syntax

Command syntax : +STGR=<CmdType>[,<Result>,<Data>]

| Command | Possible responses |
|--|-------------------------|
| +STGR=<CmdType>[,<Result>,<Data>] | OK +CME ERROR: <err> |
| For GetInput with <Result>=1: +STGR=3,1<CR> <Data><Ctrl Z> | OK +CME ERROR: <err> |
| For GetInkey with <Result>=1 +STGR=2,1,"<Data>" | OK +CME ERROR: <err> |
| +STGR=? | OK |

16.3.5.3 Defined values

<CmdType>

- 0: Item selection in the main menu.
- 1: User confirmation to clear a 'Disp Text'.
- 2: Response for a 'Get Inkey'.
- 3: Response for a 'Get Input'.
- 4: Response for a 'Setup call'.
- 6: Response for a 'Sel Item'.
- 11 Reponse for a 'Setup event list'.
- 95 Backward move

- 96 Command beyond ME capabilities
- 97 ME currently unable to process command
- 98 No response from the user.
- 99 User abort.

Values when CmdType=0 (Select an item from the main menu)**<Result>**

- 1: Item selected by the user.
 - 2: Help information required by user.
- <Data>** Contains the item identifier of the item selected by the user.

Values when CmdType=1 (Confirm the display text clearing)

No values.

Values when CmdType=2 (Get Inkey)**<Result>**

- 0: Session ended by user.
 - 1: Response given by the user.
 - 2: Help information required by user.
- <Data>** Contains the key pressed by the user.

Values when CmdType=3 (Get Input)**<Result>**

- 0: Session ended by user.
 - 1: Response given by the user.
 - 2: Help information required by user.
- <Data>** Contains the string of characters entered by the user.

Note:

For Inputs in UCS2 format, the data are entered in ASCII format. Example : For "8000410042FFFF" entered, the SIM receives 0x00 0x41 0x00 0x42 with UCS2 DCS. (See the Appendix E about the different UCS2 syntaxes).

Values when CmdType=4 (Setup call)**<Result>**

- 0: User refuses the call.
- 1: User accepts call.

Values when CmdType=6 (Select Item)**<Result>**

- 0: Session terminated by the user
 - 1: Item selected by the user
 - 2: Help information required by the user
 - 3: Return to the back item
- <Data>** Contains the item identifier selected by the user

Values when CmdType=11 (Setup Event List)**<Result>**

- 1: Idle screen available.
- 2: User activity event.

Sending a Terminal Response to the SIM :Values when CmdType=95 (Backward Move)

Values when CmdType=96 (**Command beyond ME capabilities**)

Values when CmdType=97 (**ME currently unable to process command**)

Values when CmdType=98 (**No response from the user**)

Values when CmdType=99 (**SIM Toolkit Session aborting by the user**)

No values.

It is possible to send a Terminal Response after the **+STIN** indication (step 2, cf §16.2), or after the **+STGI** command (step 3).

Note :

*For the SETUP MENU Proactive Command, it is only possible to send a Terminal Response after the **+STIN: 0** indication, not after a **+STGI=0** request. All of the Terminal Responses are not possible with all of the Proactive Commands. Compatibility between available Terminal Responses and Proactive Commands is given in Appendix B, Table 2. If a Terminal Response is attempted during a incompatible Proactive Command session, a **+CME ERROR: 3** will be returned.*

16.3.5.4 Possible error codes

- + CME ERROR: 3** **Operation not allowed.** This error is returned when a wrong parameter is detected.
- +CME ERROR: 4** **Operation not supported.** This error is returned when the user gives a response with SIM ToolKit functionality not activated. Or if the SIM Toolkit indication (**+STIN**) has not been received.

16.3.5.5 Example

Initially, all facilities are activated, the PIN is not required and the SIM toolkit functionality is activated.

```

+STIN: 0                               The main menu has been sent from the SIM.
AT+STGI=0                               Get information about the main menu
+STGI: 1,3,"BANK",0                     The main menu contains 3 items.
+STGI: 2,3,"QUIZ",0
+STGI: 3,3,"WEATHER",0
OK
AT+STGR=0,1,1                           The item 2 of the main menu has been selected.
OK
+STIN: 6                               The Sel item menu has been sent from the SIM.
AT+STGI=6                               Get information about the BANK menu
+STGI: 1,"BANK"                         The BANK menu contains two items.
+STGI: 1,2,"PERSONAL ACCOUNT ENQUIRY",1
+STGI: 2,2,"NEWS",0
OK
AT+STGR=6,1,1                           Select Item 1.
OK
+STIN: 3                               User request to enter Password sent.
AT+STGI=3                               Get information about this request.
+STGI: 0,0,4,4,0,"Enter Account Password:"
OK
AT+STGR=3,1<CR>                         The user enters the Password.
>0000<Ctrl Z>
OK
+STIN: 1                               A text info has been sent from the SIM.
AT+STGI=1                               Get information about this text.
+STGI: 0,"Password correct, please wait for response",0
OK
+STIN: 9                               SIM requests a bank account update from bank server via the
                                         network (SEND SMS)
AT+STGI=9                               Get all information about the SEND SMS
  
```

+STGI: "Send account balance of user, authorization ok"
OK

***** After a short period of time. *****

+STIN: 5 *Transaction is complete: BEEP*
+STGI=5 *Get information about the Tone*
+STGI: 9,1,1
+STIN: 1 *Display text indication*
AT+STGI=1
+STGI: 0,"Your account balance is 1000 \$",0
OK

17 GPRS commands

GPRS commands are not available under GSM-only software.

17.1 Define PDP Context +CGDCONT

17.1.1 Description

This command specifies PDP context parameter values for a PDP context identified by the local context identification parameter, <cid>.

Four PDP contexts can be defined through Wavecom software.

A special form of the set command, +CGDCONT= <cid> causes the values for context number <cid> to become undefined.

The test command returns values supported as a compound value. If the MT supports several PDP types, <PDP_type>, the parameter value ranges for each <PDP_type> are returned on a separate line.

The read command returns the current settings for each defined context.

The test command returns values supported as a compound value. If the MT supports several PDP types, <PDP_type>, the parameter value ranges for each <PDP_type> are returned on a separate line.

17.1.2 Syntax

| Command | Possible response(s) |
|---|---|
| +CGDCONT=[<cid> [,<PDP_type> [,<APN> [,<PDP_addr> [,<d_comp> [,<h_comp>]]]]]] | OK ERROR |
| +CGDCONT? | +CGDCONT: <cid>, <PDP_type>, <APN>, <PDP_addr>, <data_comp>, <head_comp> [<CR><LF>+CGDCONT: <cid>, <PDP_type>, <APN>, <PDP_addr>, <data_comp>, <head_comp> [...]] OK |
| +CGDCONT=? | +CGDCONT: (range of supported <cid>s), <PDP_type>,,, (list of supported <d_comp>s), (list of supported <h_comp>s) [<CR><LF>+CGDCONT: (range of supported <cid>s), <PDP_type>,,, (list of supported <d_comp>s), (list of supported <h_comp>s) [...]] OK |

17.1.3 Defined values

<cid>: (PDP Context Identifier) a numeric parameter (1-4) which specifies a particular PDP context definition. The parameter is local to the TE-MT interface and is used in other PDP context-related commands.

<PDP_type>: (Packet Data Protocol type) a string parameter which specifies the type of packet data protocol

- IP Internet Protocol
- PPP Point to Point Protocol

<APN>: (Access Point Name) a string parameter, which is a logical name that is used to select the GGSN or the external packet data network.
If the value is null or omitted, then the subscription value will be requested.

<PDP_address>: a string parameter that identifies the MT in the address space applicable to the PDP.

If the value is null or omitted, then a value may be provided by the TE during the PDP startup procedure or, failing that, a dynamic address will be requested.

The read form of the command will continue to return the null string even if an address has been allocated during the PDP startup procedure. The allocated address may be read using the **+CGPADDR** command.

<d_comp>: a numeric parameter that controls PDP data compression

- 0 - off (default if value is omitted)
- 1 - on
- Other values are reserved.

<h_comp>: a numeric parameter that controls PDP header compression

- 0 - off (default if value is omitted)
- 1 - on
- Other values are reserved.

NOTE. At present only one data compression algorithm (V.42bis) is provided in SDCP. If and when other algorithms become available, a command will be provided to select one or more of these.

NOTE. 4 cids are available to specify 4 PDP contexts but only 11 NSAPI are available for PDP activation. Due to Wavecom Choice, 4 PDP contexts can be specified with only one activated at the same time.

17.1.4 Example

```
AT +CGDCONT: 1, "IP", "internet"; +CGDCONT=2, "IP", "abc.com"
```

```
OK
```

```
AT+CGDCONT=?
```

```
+CGDCONT : (1-4),"IP",,(0-1),(0-1)
```

```
+CGDCONT : (1-4),"PPP",,,0,0
```

```
OK
```

```
AT+CGDCONT?
```

```
+CGDCONT: 1, "IP", "internet",,0,0
```

```
+CGDCONT: 2, "IP", "abc.com",,0,0
```

```
OK
```


17.2 Quality of Service Profile (Requested) +CGQREQ

17.2.1 Syntax

| Command | Possible Response(s) |
|---|--|
| +CGQREQ=[<cid> [,<precedence > [,<delay> [,<reliability.> [,<peak> [,<mean>]]]]]] | OK ERROR |
| +CGQREQ? | +CGQREQ: <cid>, <precedence >, <delay>, <reliability>, <peak>, <mean> [<CR><LF>+CGQREQ: <cid>, <precedence >, <delay>, <reliability.>, <peak>, <mean> [...]] OK |
| +CGQREQ=? | +CGQREQ: <PDP type>, (list of supported <precedence>s), (list of supported <delay>s), (list of supported <reliability>s) , (list of supported <peak>s), (list of supported <mean>s) [<CR><LF>+CGQREQ: <PDP type>, (list of supported <precedence>s), (list of supported <delay>s), (list of supported <reliability>s) , (list of supported <peak>s), (list of supported <mean>s) [...]] OK |

17.2.2 Description

This command allows the TE to specify a Quality of Service Profile that is used when the MT sends an Activate PDP Context Request message to the network.

The set command specifies a profile for the context identified by the local context identification parameter, <cid>. Since this is the same parameter that is used in the +CGDCONT command, the +CGQREQ command is effectively an extension to the +CGDCONT command. The QoS profile consists of a number of parameters, each of which may be set to a separate value.

A special form of the set command, +CGQREQ= <cid> causes the requested profile for context number <cid> to become undefined.

The read command returns the current settings for each defined context. The test command returns values supported as a compound value. If the MT supports several PDP types, the parameter value ranges for each PDP type are returned on a separate line.

17.2.3 Defined values

<cid>: a numeric parameter which specifies a particular PDP context definition.

<precedence>: a numeric parameter which specifies the precedence class

<delay>: a numeric parameter which specifies the delay class

<reliability>: a numeric parameter which specifies the reliability class

<peak>: a numeric parameter which specifies the peak throughput class

<mean>: a numeric parameter which specifies the mean throughput class

If a value is omitted for a particular class then the value is considered to be unspecified.

Precedence

| Precedence | Precedence Name | Interpretation |
|------------|-----------------|--|
| | Subscribed | Subscribed by the Nwk / default if value is omitted |
| | High priority | Service commitments shall be maintained ahead of precedence classes 2 and 3. |
| | Normal priority | Service commitments shall be maintained ahead of precedence class 3. |
| | Low priority | Service commitments shall be maintained after precedence classes 1 and 2. |

Delay

| Delay Class | Delay (maximum values) | | | |
|------------------|---------------------------|---|---------------------------|---------------------------|
| | SDU size: 128 bytes | | SDU size: 1024 bytes | |
| | Mean Transfer Delay (sec) | 95 percentile Delay (sec) | Mean Transfer Delay (sec) | 95 percentile Delay (sec) |
| 1. (Predictive) | Subscribed | Subscribed by the Nwk / default if value is omitted | | |
| | < 0.5 | | < 2 | < 7 |
| 2. (Predictive) | < 5 | < 25 | < 15 | < 75 |
| 3. (Predictive) | < 50 | < 250 | < 75 | < 375 |
| 4. (Best Effort) | Unspecified | | | |

Reliability

| Reliability Class | GTP Mode | LLC Frame Mode | LLC Data Protection | RLC Block Mode | Traffic Type |
|-------------------|----------------|---|---------------------|----------------|---|
| | Subscribed | Subscribed by the Nwk / default if value is omitted | | | |
| | Acknowledged | Acknowledged | Protected | Acknowledged | Non real-time traffic, error-sensitive application that cannot cope with data loss. |
| | Unacknowledged | Acknowledged | Protected | Acknowledged | Non real-time traffic, error-sensitive application that can cope with infrequent data loss. |
| | Unacknowledged | Unacknowledged | Protected | Acknowledged | Non real-time traffic, error-sensitive application that can cope with data loss, GMM/SM, and SMS. |
| | Unacknowledged | Unacknowledged | Protected | Unacknowledged | Real-time traffic, error-sensitive application that can cope with data loss. |
| | Unacknowledged | Unacknowledged | Unprotected | Unacknowledged | Real-time traffic, error non-sensitive application that can cope with data loss. |

NOTE: For real-time traffic, the QoS profile also requires appropriate settings for delay and throughput.

Peak throughput

| Peak Throughput Class | Peak Throughput in bytes per second |
|------------------------------|---|
| 0 | Subscribed by the Nwk / default if value is omitted |
| 1 | Up to 1 000 (8 kbit/s). |
| 2 | Up to 2 000 (16 kbit/s). |
| 3 | Up to 4 000 (32 kbit/s). |
| 4 | Up to 8 000 (64 kbit/s). |
| 5 | Up to 16 000 (128 kbit/s). |
| 6 | Up to 32 000 (256 kbit/s). |
| 7 | Up to 64 000 (512 kbit/s). |
| 8 | Up to 128 000 (1 024 kbit/s). |
| 9 | Up to 256 000 (2 048 kbit/s). |

Mean throughput

| Mean Throughput Class | Mean Throughput in bytes per hour |
|------------------------------|---|
| 0 | Subscribed by the Nwk / default if value is omitted |
| 1 | 100 (~0.22 bit/s). |
| 2 | 200 (~0.44 bit/s). |
| 3 | 500 (~1.11 bit/s). |
| 4 | 1 000 (~2.2 bit/s). |
| 5 | 2 000 (~4.4 bit/s). |
| 6 | 5 000 (~11.1 bit/s). |
| 7 | 10 000 (~22 bit/s). |
| 8 | 20 000 (~44 bit/s). |
| 9 | 50 000 (~111 bit/s). |
| 10 | 100 000 (~0.22 kbit/s). |
| 11 | 200 000 (~0.44 kbit/s). |
| 12 | 500 000 (~1.11 kbit/s). |
| 13 | 1 000 000 (~2.2 kbit/s). |
| 14 | 2 000 000 (~4.4 kbit/s). |
| 15 | 5 000 000 (~11.1 kbit/s). |
| 16 | 10 000 000 (~22 kbit/s). |
| 17 | 20 000 000 (~44 kbit/s). |
| 18 | 50 000 000 (~111 kbit/s). |
| 31 | Best effort. |

Example

AT +CGQREQ=1,1,4,5,2,14

OK

AT+CGQREQ=?

+CGQREG: "IP", (1-3), (1-4), (1-5), (1-9), (1-31)

+CGQREQ: "PPP", (1-3), (1-4), (1-5), (1-9), (1-31)

OK

AT+CGQREQ?

+CGQREQ: 1,1,4,5,2,14

OK

17.3 Quality of Service Profile (Minimum acceptable) +CGQMIN

17.3.1 Syntax

| Command | Possible Response(s) |
|---|--|
| +CGQMIN=[<cid> [,<precedence > [,<delay> [,<reliability.> [,<peak> [,<mean>]]]]]] | OK ERROR |
| +CGQMIN? | +CGQMIN: <cid>, <precedence >, <delay>, <reliability>, <peak>, <mean> [<CR><LF>+CGQMIN: <cid>, <precedence >, <delay>, <reliability.>, <peak>, <mean> [...]] OK |
| +CGQMIN=? | +CGQMIN: <PDP_type>, (list of supported <precedence>s), (list of supported <delay>s), (list of supported <reliability>s) , (list of supported <peak>s), (list of supported <mean>s) [<CR><LF>+CGQMIN: <PDP_type>, (list of supported <precedence>s), (list of supported <delay>s), (list of supported <reliability>s) , (list of supported <peak>s), (list of supported <mean>s) [...]] OK |

17.3.2 Description

This command allows the TE to specify a minimum acceptable profile which is checked by the MT against the negotiated profile returned in the Activate PDP Context Accept message.

The set command specifies a profile for the context identified by the local context identification parameter, <cid>. Since this is the same parameter that is used in the +CGDCONT command, the +CGQMIN command is effectively an extension to the +CGDCONT command. The QoS profile consists of a number of parameters, each of which may be set to a separate value.

A special form of the set command, +CGQMIN= <cid> causes the minimum acceptable profile for context number <cid> to become undefined. In this case no check is made against the negotiated profile.

The read command returns the current settings for each defined context. The test command returns values supported as a compound value. If the MT supports several PDP types, the parameter value ranges for each PDP type are returned on a separate line.

17.3.3 Defined values

<cid>: a numeric parameter which specifies a particular PDP context .

<precedence>: a numeric parameter which specifies the precedence class.

<delay>: a numeric parameter which specifies the delay class.

<reliability>: a numeric parameter which specifies the reliability class.

<peak>: a numeric parameter which specifies the peak throughput class.

<mean>: a numeric parameter which specifies the mean throughput class.

If a value is omitted for a particular class then this class is not checked.

Example

```
AT +CGQMIN=1,1,4,5,2,31
```

```
OK
```

```
AT+CGQMIN=?
```

```
+CGQMIN: "IP", (1-3), (1-4), (1-5), (1-9), (1-31)
```

```
+CGQMIN: "PPP", (1-3), (1-4), (1-5), (1-9), (1-31)
```


OK

AT+CGQMIN?

+CGQMIN: 1,1,4,5,2,14

OK

17.4 GPRS attach or detach +CGATT

17.4.1 Syntax

| Command | Possible Response(s) |
|-------------------|--|
| +CGATT= [<state>] | OK ERROR |
| +CGATT? | +CGATT: <state> OK |
| +CGATT=? | +CGATT: (list of supported <state>s) OK |

17.4.2 Description

The execution command is used to attach the MT to, or detach the MT from, the GPRS service. After the command has completed, the MT remains in V.25ter command state. If the MT is already in the requested state, the command is ignored and the OK response is returned. If the requested state cannot be achieved because the GPRS is not supported by the an ERROR or +CME ERROR response is returned. Extended error responses are enabled by the +CMEE command.

Any active PDP contexts will be automatically deactivated when the attachment state changes to detached.

The read command returns the current GPRS service state.

The test command is used for requesting information on the supported GPRS service states.

17.4.3 Defined Values

<state>: indicates the state of GPRS attachment

- 0 – detached

- 1 – attached
- Other values are reserved and will result in an ERROR response to the execution command.

Example

AT +CGATT=1

OK

17.5 PDP context activate or deactivate +CGACT

17.5.1 Syntax

| Command | Possible Response(s) |
|--|---|
| +CGACT=[<state>[,<cid>[,<cid>[,...]]]] | OK ERROR |
| +CGACT? | +CGACT: <cid>, <state> [<CR><LF>+CGACT: <cid>, <state> [...]] OK |
| +CGACT=? | +CGACT: (list of supported <state>s) OK |

17.5.2 Description

The execution command is used to activate or deactivate the specified PDP context (s). After the command has completed, the MT remains in V.25ter command state. If any PDP context is already in the requested state, the state for that context remains unchanged.

If the requested state for any specified context cannot be achieved, an ERROR or +CME ERROR response is returned. Extended error responses are enabled by the +CMEE command.

If the MT is not GPRS attached when the activation form of the command is executed, the MT first performs a GPRS attach and then attempts to activate the specified contexts. If the attach fails then the MT responds with ERROR or, if extended error responses are enabled, with the appropriate failure-to-attach error message.

If no <cid>s are specified the activation form of the command activates the first activable defined contexts.

If no <cid>s are specified the deactivation form of the command deactivates all active contexts.

One PDP contexts can be activated through Wavecom software at the same time.

The read command returns the current activation states for all the defined PDP contexts.

The test command is used for requesting information on the supported PDP context activation states.

17.5.3 Defined Values

<state>: indicates the state of PDP context activation

- 0 – deactivated
- 1 – activated
- Other values are reserved and will result in an ERROR response to the execution command.

<cid>: a numeric parameter which specifies a particular PDP context.

Example

```
AT +CGACT=1,1
```

```
OK
```

```
AT+CGACT?
```

```
+CGACT: 1, 1
```

```
OK
```

```
AT+CGACT=?
```

```
+CGACT: (0-1)
```

```
OK
```

Before the activation of the context, the MT has to attached himself to the GPRS network if necessary.

17.6 Enter data state +CGDATA

17.6.1 Syntax

| Command | Possible Response(s) |
|-----------------|----------------------|
| +CGDATA=[<cid>] | CONNECT ERROR |
| +CGDATA=? | +CGDATA: OK |

17.6.2 Description

The execution command causes the MT to perform whatever actions are necessary to establish communication between the TE and the network. This may include performing a GPRS attach and one PDP context activations.

If the cid value is not defined to the MT, the MT will return an ERROR or +CME ERROR response. Otherwise, the MT issues the intermediate result code CONNECT and enters V.25ter online data state.

GPRS attachment and PDP context activation procedures may take place prior to or during the PDP startup if they have not already been performed using the +CGATT and +CGACT commands.

If no <cid> is given, the MT is attempt to activate the context with whatever information is available to the MT. The other context parameters is set to their default values (No APN, default QOS parameters, dynamic IP address requested).

If the activation is successful, data transfer may proceed.

After data transfer is complete, and the layer 2 protocol termination procedure has completed successfully, the V.25ter command state is re-entered and the MT returns the final result code OK.

In the event of an erroneous termination or a failure to start up, the V.25ter command state is re-entered and the MT returns the final result code NO CARRIER or, if enabled, +CME ERROR. Attach, activate and other errors may be reported.

This command may be used in both normal and modem compatibility modes.

Remark : the goal of this command is the same than ATD*99*** so, the best will be to use only ATD*99***

17.6.3 Defined Values

<cid>: a numeric parameter which specifies a particular PDP context definition.

Example

```
AT+CGDATA=?  
  
+CGDATA:  
  
OK  
  
AT +CGDATA=1  
  
CONNECT
```

17.7 GPRS mobile station class +CGCLASS

17.7.1 Syntax

| Command | Possible Response(s) |
|---------------------|--|
| +CGCLASS= [<class>] | OK ERROR |
| +CGCLASS? | +CGCLASS: <class> OK |
| +CGCLASS=? | +CGCLASS: (list of supported <class>s) OK |

17.7.2 Description

The set command is used to set the MT to operate according to the specified GPRS mobile class. If the requested class is not supported, an ERROR or +CME ERROR response is returned.

The read command returns the current GPRS mobile class.

The test command is used for requesting information on the supported GPRS mobile classes.

17.7.3 Defined Values

<class>: a string parameter which indicates the GPRS mobile class (in descending order of functionality)

A class A (highest)

B class B

CG class C in GPRS only mode

CC class C in circuit switched only mode (lowest)

Other values are reserved and will result in an ERROR response to the set command.

If the MT is GPRS attached when the set command is issued with a **<class> = CC** specified, a GPRS detach request is sent to the network.

If the MT is GSM attached when the set command is issued with a **<class> = CG** specified, a GSM detach request is sent to the network.

Class A is not supported by Wavecom GPRS software.

Remark : During switch-On in CG class, the MS always performs an automatic GPRS attach (the ATTACH-STATUS parameter of +WGPRS is ignored).

But if the MS is not already GPRS attached when switching from B/CC class to CG class then no automatic GPRS attach is performed.

Example

```
AT +CGCLASS="CG"
```

```
OK
```

To go in **GPRS class C** mode

```
AT +CGCLASS="CC"
```

```
OK
```

To go in **GSM** mode

```
AT +CGCLASS="A"
```

```
+CME ERROR: 150
```

Class chosen not supported.

```
AT+CGCLASS=?  
+CGCLASS: ("CG","CC")
```

```
OK
```

```
AT+CGCLASS?
```

```
+CGCLASS: "CC"
```

OK

About the remark :

AT+CGCLASS?

+CGCLASS: "B"

OK

AT+CGATT?

+CGATT: 0

OK

AT+CGCLASS="CG"

OK

AT+CGATT?

+CGATT: 0

OK

AT+CGATT=1

OK

AT+CPOF

OK

AT+CFUN=1

OK

AT+CGCLASS?

+CGCLASS: "CG"

OK

AT+CGATT?

+CGATT: 1

OK

17.8 Select service for MO SMS messages +CGSMS

17.8.1 Syntax

| Command | Possible Response(s) |
|---------------------|---|
| +CGSMS= [<service>] | OK ERROR |
| +CGSMS? | +CGSMS: <service> OK |
| +CGSMS=? | +CGSMS: (list of currently available <service>s) OK |

17.8.2 Description

The set command is used to specify the service or service preference that the MT will use to send MO SMS messages.

The read command returns the currently selected service or service preference.

The test command is used for requesting information on the currently available services and service preferences.

17.8.3 Defined Values

<service>: a numeric parameter which indicates the service or service preference to be used

- 0 GPRS
- 1 Circuit switched
- 2 GPRS preferred (use circuit switched if GPRS is not available)
- 3 Circuit switched preferred (use GPRS if circuit switched not available)

Other values are reserved and will result in an ERROR response to the set command.

Example

```
AT +CGSMS=0
```

```
OK
```

```
AT+CGSMS=?
```

```
+CGSMS: (0-3)
```


OK

17.9 GPRS event reporting +CGEREP

17.9.1 Syntax

| Command | Possible response(s) |
|------------------|---|
| +CGEREP=[<mode>] | OK ERROR |
| +CGEREP? | +CGEREP: <mode>, <bfr> OK |
| +CGEREP=? | +CGEREP: (list of supported <mode>s) , (list of supported <bfr>s) OK |

17.9.2 Description

Set command enables or disables sending of unsolicited result codes, +CGEV: XXX from MT to TE in the case of certain events occurring in the GPRS MT or the network.

<mode> controls the processing of unsolicited result codes specified within this command.

Read command returns the current mode and buffer settings

Test command returns the modes and buffer settings supported by the MT as compound values.

17.9.3 Defined values

<mode>:

0 buffer unsolicited result codes in the MT; if MT result code buffer is full, the oldest ones can be discarded. No codes are forwarded to the TE.

2 buffer unsolicited result codes in the MT when MT-TE link is reserved (e.g. in on-line data mode) and flush them to the TE when MT-TE link becomes available; otherwise forward them directly to the TE

<bfr>

0 MT buffer of unsolicited result codes defined within this command is cleared when <mode> 1 or 2 entered. Only this case is supported by Wavecom.

1 MT buffer of unsolicited result codes defined within this command is flushed to the TE when <mode> 2 is entered. This case is not supported by Wavecom.

With Wavecom's software, a combinaison of all modes is implemented. When serial link is available, indications are forwarded directly to the TE. If serial link is reserved (e.g. in on-line data mode), if MT result code buffer is full, the oldest ones can be discarded.

Defined events

The following unsolicited result codes and the corresponding events are defined:

+CGEV: REJECT <PDP_type>, <PDP_addr>

A network request for PDP context activation occurred when the MT was unable to report it to the TE with a +CRING unsolicited result code and was automatically rejected.

+CGEV: NW REACT <PDP_type>, <PDP_addr>, [<cid>]

The network has requested a context reactivation. The <cid> that was used to reactivate the context is provided if known to the MT.

+CGEV: NW DEACT <PDP_type>, <PDP_addr>, [<cid>]

The network has forced a context deactivation. The <cid> that was used to activate the context is provided if known to the MT.

+CGEV: ME DEACT <PDP_type>, <PDP_addr>, [<cid>]

The mobile equipment has forced a context deactivation. The <cid> that was used to activate the context is provided if known to the MT.

+CGEV: NW DETACH

The network has forced a GPRS detach. This implies that all active contexts have been deactivated. These are not reported separately.

+CGEV: ME DETACH

The mobile equipment has forced a GPRS detach. This implies that all active contexts have been deactivated. These are not reported separately.

+CGEV: NW CLASS <class>

The network has forced a change of MS class. The highest available class is reported.

+CGEV: ME CLASS <class>

The mobile equipment has forced a change of MS class. The highest available class is reported.

17.10 GPRS network registration status +CGREG

17.10.1 Syntax

| Command | Possible response(s) |
|--------------|--|
| +CGREG=[<n>] | OK +CGREG: stat>[,<lac>,<ci>] |
| +CGREG? | +CGREG: <n>,<stat>[,<lac>,<ci>] OK +CME ERROR: <err> |
| +CGREG=? | +CGREG: (list of supported <n>s) OK |

17.10.2 Description

The set command controls the presentation of an unsolicited result code +CGREG: <stat> when <n>=1 and there is a change in the MT's GPRS network registration status, or code +CGREG: <stat>[,<lac>,<ci>] when <n>=2 and there is a change of the network cell.

The read command returns the status of result code presentation and an integer <stat> which shows whether the network has currently indicated the registration of the MT. Location information elements <lac> and <ci> are returned only when <n>=2 and MT is registered in the network.

17.10.3 Defined values

<n>:

- 0 disable network registration unsolicited result code
- 1 enable network registration unsolicited result code +CGREG: <stat>
- 2 enable network registration and location information unsolicited result code +CGREG: <stat>[,<lac>,<ci>]

<stat>:

- 0 not registered, ME is not currently searching a new operator to register to
- 1 registered, home network
- 2 not registered, but ME is currently searching a new operator to register to
- 3 registration denied
- 4 unknown
- 5 registered, roaming

<lac>:

string type; two byte location area code in hexadecimal format.

<ci>:

string type; two byte cell ID in hexadecimal format

17.11 Request GPRS IP service 'D'

17.11.1 Description

This command causes the MT to perform whatever actions are necessary to establish communication between the TE and the external PDN.

The V.25ter 'D' (Dial) command causes the MT to enter the V.25ter online data state and, with the TE, to start the specified layer 2 protocol. The MT return CONNECT to confirm acceptance of the command prior to entering the V.25ter online data state. No further commands may follow on the AT command line.

The detailed behaviour after the online data state has been entered is described briefly in clause 9, for IP, of GSM 07.60. GPRS attachment and PDP context activation procedures may take place prior to or during the PDP startup if they have not already been performed using the +CGATT and +CGACT commands.

If <cid> is supported, its usage is the same as in the +CGDATA command. The +CGDCONT, +CGQREQ, etc. commands may then be used in the modem initialisation AT command string to set values for for PDP type, APN, QoS etc...

If <cid> is not supported or is supported but omitted, the MT attempt to activate the context using the 'Empty PDP type' (GSM 04.08). (No PDP address or APN is sent in this case and only one PDP context subscription record is present in the HLR for this subscriber.)

17.11.2 Syntax

| Command | Possible Response(s) |
|---------------------------|----------------------|
| D*<GPRS_SC_IP>[***<cid>]# | CONNECT ERROR |

17.11.3 Defined Values

<GPRS_SC_IP>: (GPRS Service Code for IP) a digit string (value 99), which identifies a request to use the GPRS with IP (PDP types IP and PPP)

<cid>: a digit string which specifies a particular PDP context definition.

Example

ATD*99***1#

CONNECT

ATD*99***2#

ERROR

17.12 Network requested PDP context activation

In this mode of operation, the MT behaves like an answering modem and accepts the normal V.25ter commands associated with answering a call. If GPRS-specific configuration commands are required, they may be sent to the MT as part of the modem initialisation commands.

The +CGAUTO command is used to select modem compatibility mode.

17.12.1 Automatic response to a network request for PDP context activation 'S0'

The V.25ter 'S0=n' (Automatic answer) command may be used to turn off (n=0) and on (n>0) the automatic response to a network request for a PDP context activation.

When the 'S0=n' (n>0) command is received, the MT attempt to perform a GPRS attach if it is not already attached. Failure will result in ERROR being returned to the TE. Subsequently, the MT will announce a network request for PDP context activation by issuing the unsolicited result code RING to the TE, followed by the intermediate result code CONNECT. The MT then enters V.25ter online data state and follows the same procedure as it would after having received a +CGANS=1 with no <L2P> or <cid> values specified.

NOTE. The 'S0=n' (n=0) command does not perform an automatic GPRS detach.

17.12.2 Manual acceptance of a network request for PDP context activation 'A'

The V.25ter 'A' (Answer) command may be used to accept a network request for a PDP context activation announced by the unsolicited result code RING. The MT responds with CONNECT, enters V.25ter online data state and follows the same procedure as it would after having received a +CGANS=1 with no <cid> value specified. It is an error to issue the 'A' command when there is no outstanding network request.

17.12.3 Manual rejection of a network request for PDP context activation 'H'

The V.25ter 'H' or 'H0' (On-hook) command may be used to reject a network request for PDP context activation announced by the unsolicited result code RING. The MT responds with OK. It is an error to issue the 'H' command when there is no outstanding network request.

NOTE: This is an extension to the usage of the 'H' command that is described in ITU-T V.25ter.

17.13 Automatic response to a network request for PDP context activation +CGAUTO

17.13.1 Description

The set command disables or enables an automatic positive response (auto-answer) to the receipt of a Request PDP Context Activation message from the network. It also provides control over the use of the V.25ter basic commands 'S0', 'A and 'H' for handling network requests for PDP context activation. The setting does not affect the issuing of the unsolicited result code RING or +CRING.

The test command returns values of <n> supported by the MT as a compound value.

When the +CGAUTO=0 command is received, the MT will not perform a GPRS detach if it is attached. Subsequently, when the MT announces a network request for PDP context activation by issuing the unsolicited result code RING or +CRING, the TE may manually accept or reject the request by issuing the +CGANS command or may simply ignore the network request.

When the +CGAUTO=1 command is received, the MT will attempt to perform a GPRS attach if it is not already attached. Failure will result in ERROR or, if enabled, +CME ERROR being returned to the TE. Subsequently, when the MT announces a network request for PDP context activation by issuing the unsolicited result code RING or +CRING to the TE, this is followed by the intermediate result code CONNECT. The MT then enters V.25ter online data state and follows the same procedure as it would after having received a +CGANS=1 with <cid> values specified.

17.13.2 Syntax

| Command | Possible response(s) |
|--------------------|----------------------|
| +CGAUTO=[<n> >] | OK ERROR |
| +CGAUTO? | +CGAUTO: <n> OK |
| +CGAUTO=? | +CGAUTO: (0-3) OK |

17.13.3 Defined values

<n>:

- 0 turn off automatic response for GPRS only
- 1 turn on automatic response for GPRS only
- 2 modem compatibility mode, GPRS only
- 3 modem compatibility mode, GPRS and circuit switched calls (default)

For <n> = 0 GPRS network requests are manually accepted or rejected by the +CGANS command.

For <n> = 1 GPRS network requests are automatically accepted according to the description above.

For <n> = 2, automatic acceptance of GPRS network requests is controlled by the 'S0' command. Manual control uses the 'A' and 'H' commands, respectively, to accept and reject GPRS requests. (+CGANS may also be used.) Incoming circuit switched calls can be neither manually nor automatically answered.

For <n> = 3, automatic acceptance of both GPRS network requests and incoming circuit switched calls is controlled by the 'S0' command. Manual control uses the 'A' and 'H' commands, respectively, to accept and reject GPRS requests. (+CGANS may also be used.) Circuit switched calls are handled as described elsewhere in this specification.

NOTE. In class C GPRS the modem can't receive simultaneously GPRS and GSM incoming calls.

Example

```
AT+CGAUTO=?  
+CGAUTO: (0-2)  
OK
```

```
AT+CGAUTO?  
+CGAUTO: 2  
OK
```

```
AT+CGAUTO=0
OK
```

17.14 Manual response to a network request for PDP context activation +CGANS

17.14.1 Syntax

| Command | Possible response(s) |
|------------------------------|---|
| +CGANS=[<response>, [<cid>]] | OK ERROR |
| +CGANS=? | +CGANS: (list of supported <response>s), (list of supported <L2P>s) OK |

17.14.2 Description

The execution command requests the MT to respond to a network request for GPRS PDP context activation which has been signalled to the TE by the RING or +CRING: unsolicited result code. The <response> parameter allows the TE to accept or reject the request.

If <response> is 0, the request is rejected and the MT returns OK to the TE.

If <response> is 1, the following procedure is followed by the MT.

PDP context activation procedures take place prior to or during the PDP startup. One <cid> may be specified in order to provide the values needed for the context activation request.

During the PDP startup procedure the MT has the PDP type and the PDP address provided by the network in the Request PDP Context Activation message.

If a <cid> is given his informations must matching with the PDP type and PDP address in the network request as follows -

The PDP type must match exactly.

The PDP addresses are considered to match if they are identical or if the address in the context definition is unspecified.

If any of this information is in conflict, the command will fail.

The context is activated using the values for PDP type and PDP address provided by the network, together with the other information found in the PDP context definition. An APN may or may not be required, depending on the application. If no <cid> is given, the MT will attempt to activate the context using the values for PDP type and PDP address provided by the network, together with any other relevant information known to the MT. The other context parameters will be set to their default values.

If the activation is successful, data transfer may proceed. After data transfer is complete, and the layer 2 protocol termination procedure has completed successfully, the V.25ter command state is re-entered and the MT returns the final result code OK

In the event of an erroneous termination or a failure to startup, the V.25ter command state is re-entered and the MT returns the final result code NO CARRIER or, if enabled, +CME ERROR. Attach, activate and other errors may be reported. It is also an error to issue the +CGANS command when there is no outstanding network request.

This command may be used in both normal and modem compatibility modes.

17.14.3 Defined values

<response>: is a numeric parameter which specifies how the request should be responded to.

0 reject the request

1 accept and request that the PDP context be activated

If <response> is omitted it is assumed to be 0. Other values are reserved and will result in the ERROR response.

<cid>: a numeric parameter which specifies a particular PDP context definition.

Example

```
+CRING: GPRS "IP", "122.41.74.238"
```

```
AT+CGANS=1  
CONNECT
```

```
AT+CGANS=?  
+CGANS: (0-1)  
OK
```

17.15 Show PDP address +CGPADDR

17.15.1 Syntax

| Command | Possible response(s) |
|----------------------------------|---|
| +CGPADDR=[<cid> [,<cid> [,...]]] | +CGPADDR: <cid>,<PDP_addr> [<CR><LF>+CGPADDR: <cid>,<PDP_addr> [...]] OK |
| +CGPADDR=? | +CGPADDR: (list of defined <cid>s) OK |

17.15.2 Description

The execution command returns a list of PDP addresses for the specified context identifiers.

The test command returns a list of defined <cid>s

17.15.3 Defined values

<cid>: a numeric parameter which specifies a particular PDP context definition. If no <cid> is specified, the addresses for all defined contexts are returned.

<PDP_address>: a string that identifies the MT in the address space applicable to the PDP. The address may be static or dynamic. For a static address, it will be the one set by the +CGDCONT command when the context was defined. For a dynamic address it will be the one assigned during the last PDP context activation that used the context definition referred to by <cid>. <PDP_address> is omitted if none is available.

Example

In this example 3 Cids are defined.

```
AT+CGPADDR=1
+CGPADDR=1,"107.210.5.4"
OK
```

```
AT+CGPADDR=?
+CGAPDDR: (1,2,4)
OK
```

AT+CGPADDR
+CGPADDR: 1,
+CGPADDR: 2,"10.3.73.151"
+CGPADDR: 4,

17.16 Cellular result codes +CRC

17.16.1 Syntax

See 11.5

17.16.2 Description :

This command enables a more detailed ring indication, in case of incoming call (voice or data). Instead of the string "RING", an extended string is used to indicate which type of call is ringing (e.g. +CRING: VOICE).

These extended indications are :

| | |
|-------------------|----------------------------------|
| +CRING: ASYNC | for asynchronous transparent |
| +CRING: REL ASYNC | for asynchronous non-transparent |
| +CRING: VOICE | for normal speech. |
| +CRING : FAX | for fax calls |

New indication for GPRS is :

- GPRS : (GPRS network request for PDP context activation).

If the MT is unable to announce to the TE the network's request (for example it is in V.25ter online data state) the MT rejects the request. No corresponding unsolicited result code is issued when the MT returns to a command state.

17.16.3 Defined values

Example

+CRING: GPRS

17.17 Service reporting control +CR

17.17.1 Syntax

Command syntax : AT+CR

| Command | Possible responses |
|--|-----------------------------------|
| AT+CR=0 <i>Note : Extended reports disabled</i> | OK <i>Note : Command valid</i> |
| AT+CR=1 <i>Note : Extended reports enabled</i> | OK <i>Note : Command valid</i> |

17.17.2 Description :

This command enables a more detailed service reporting, in case of data **incoming or outgoing call**. Before sending the CONNECT response to the application, the GSM module will precise the type of data connection that have been established.

These report types are :

| | |
|----------------|----------------------------------|
| +CR: ASYNC | For asynchronous transparent |
| +CR: REL ASYNC | For asynchronous non-transparent |

New indication for GPRS is : GPRS

17.17.3 Defined values

+CR: GPRS

17.18 Extended error report +CEER

17.18.1 Description

This command gives the reason of the call release when the last call setup (originating or answering) failed.

New indication for GPRS is the reason of the last unsuccessful PDP context activation and the last GPRS detach or PDP context activation.

17.18.2 Syntax

Command syntax : AT+CEER

| Command | Possible responses |
|--|---|
| ATD123456789 ; <i>Note : Outgoing voice call</i> | NO CARRIER <i>Note : Call setup failure</i> |
| AT+CEER <i>Note : Ask for reason of release</i> | +CEER : Error <xxx> OK <i>Note : <xxx>is the cause information element values form GSM recommandation 04.08 or specific Call accepted</i> |

The cause information element from GSM 04.08 is given below in chapter 22 for specific GPRS failure causes.

The "NO CARRIER" indicates that the AT+CEER information is available for a failure diagnostic.

17.18.3 Defined values

17.19 GPRS PARAMETERS CUSTO : +WGPRS

17.19.1 Description

This command modify some Wavecom GPRS parameters as the ATTACH-STATUS (the ME does or not perform automatically a GPRS attachment after initialisation), the PDP-INIT-STATUS (activate or not automatically some define PDP Contexts after initialisation) and the use or not of NAT (IP address translation on PPP).

In addition, this command permits to set automatically "ACTIVABLE" some define PDP contexts after init.

IMPORTANT NOTE : The Wismo must be rebooted to activate the new setup.

17.19.2 Syntax

Command syntax : AT+WGPRS

| Command | Possible responses |
|-------------------------------------|---|
| AT+WGPRS=<mode>,<parameter>,[<cid>] | OK ERROR |
| AT+WGPRS=? | +WGPRS: <mode>,<parameter1>,[<cid>] [<CR><LF>+WGPRS: <mode>,<parameter>,[<cid>] [...]] OK |
| AT+WGPRS? | +WGPRS:<mode>(list of supported <parameter>),[(list of supported <cid>)] [<CR><LF>+WGPRS:<mode>(list of supported <parameter>),[(list of supported <cid>)] [...]] OK |

17.19.3 Defined Values

<mode>: a numeric parameter which specifies a Wavecom GPRS parameter :
 0 - ATTACH-STATUS (the ME don't make automatically a GPRS attachment after init)

1 - PDP-INIT-STATUS (activate automatically some define PDP Contexts after init)

2 - Set ACTIVABLE automatically after init a define PDP context

3 - NAT

<parameter> : a numeric parameter that control the <mode>

0 - Off

1 - On

<cid> : (PDP Context Identifier) a numeric parameter (1-32) which specifies a particular PDP context definition. The parameter is local to the TE-MT interface and is used in other PDP context-related commands.

Remark

When the module is set in "CG" class, the ME always make automatically a GPRS attachment after init, so AT+WGPRS? always give +WGPRS: 0,0 for the parameter 0.

Example

```
AT+WGPRS=2,1,3
```

```
OK
```

```
AT+WGPRS=?
```

```
+WGPRS: (0-3),(0-1),(0-4)
```

```
OK
```

```
AT+WGPRS?  
+WGPRS: 0,0  
+WGPRS: 1,0  
+WGPRS: 2,1,1  
+WGPRS: 2,0,2  
+WGPRS: 2,0,3  
+WGPRS: 2,0,4  
+WGPRS: 3,1  
OK  
<CR><LF>
```

17.20 Full AT GPRS commands examples

17.20.1 Activation of an IP PDP context

Example 1 :

```
AT +CGDCONT=1, "IP", "internet"; +GCDCONT=2, "IP", "abc.com"  
OK  
ATD*99***1#  
CONNECT
```

Example 2 :

```
AT +CGCLASS="CG"  
OK  
+CGREG: 1  
AT +CGDCONT=1, "IP", "internet"  
OK  
AT +CGQREQ=1,1,4,5,2,14  
OK  
AT +CGQMIN=1,1,4,5,2,14  
OK  
AT +CGATT=1  
OK  
AT +CGACT=1,1  
OK
```

*Remark about +CGDATA : the goal of this command is the same than
ATD*99****

```
AT +CGDATA=1  
CONNECT
```

.....

Data transfer

.....

```
+CGEV: NW DETACH
```

17.20.2 Network request

```
AT+CGAUTO=0
```

```
OK
+CRING: GPRS "IP", "211.45.89.152"
AT+CGANS=1
CONNECT
.....Data transfer
```


18 Other AT commands

18.1 V.25 ter recommendation

The commands not listed in this document are not supported. For these commands, the product will then answer with "ERROR". All modulation control, error control and data compression commands are not recognized. An "ERROR" string will be returned.

18.2 GSM 07.05 recommendation

All the 07.05 commands not described in this manual are not implemented. The product will then answer "ERROR" to these commands.

18.3 GSM 07.07 recommendation

All the 07.07 commands not described in this manual are not implemented. The product will then answer "ERROR" to these commands.

19 Appendices

19.1 ME error result code : +CME ERROR: <error>

| <error> | Meaning | Resulting from the following commands |
|---------|--|---|
| 3 | Operation not allowed | All GSM 07.07 commands (+CME ERROR: 3) |
| 4 | Operation not supported | All GSM 07.07 commands (+CME ERROR: 4) |
| 5 | PH-SIM PIN required (SIM lock) | All GSM 07.07 commands (+CME ERROR: 5) |
| 10 | SIM not inserted | All GSM 07.07 commands (+CME ERROR: 10) |
| 11 | SIM PIN required | All GSM 07.07 commands (+CME ERROR: 11) |
| 12 | SIM PUK required | All GSM 07.07 commands (+CME ERROR: 12) |
| 13 | SIM failure | All GSM 07.07 commands (+CME ERROR: 13) |
| 16 | Incorrect password | +CACM, +CAMM, +CPUC, +CLCK, +CPWD, +CPIN, +CPIN2 (+CME ERROR: 16) |
| 17 | SIM PIN2 required | +CPBW (FDN), +CLCK (FDN), |
| 18 | SIM PUK2 required | +CACM, +CAMM, +CPUC, +CPBW (FDN), +CPIN, +CPIN2, +CLCK (FDN), +CPWD |
| 20 | Memory full | +CPBW |
| 21 | Invalid index | +CPBR, +CPBW, ATD>[mem]index, +WMGO |
| 22 | Not found | +CPBF, +CPBP, +CPBN, +CGSN, +WOPN, ATD>[mem]"name" |
| 24 | Text string too long | +CPBW, +CPIN, +CPIN2, +CLCK, +CPWD |
| 26 | Dial string too long | +CPBW, ATD, +CCFC |
| 27 | Invalid characters in dial string | +CPBW |
| 30 | No network service | +VTS, +COPS=?, +CLCK, +CCFC, +CCWA, +CUSD |
| 32 | Network not allowed – emergency calls only | +COPS |

| <error> | Meaning | Resulting from the following commands |
|---------|---|---|
| 40 | Network personalization PIN required (Network lock) | All GSM 07.07 commands (+CME ERROR: 40) |
| 132 | service option not supported (#32) | +CGACT +CGDATA ATD*99 |
| 133 | requested service option not subscribed (#33) | +CGACT +CGDATA ATD*99 |
| 134 | service option temporarily out of order (#34) | +CGACT +CGDATA ATD*99 |
| 148 | unspecified GPRS error | All GPRS commands |
| 149 | PDP authentication failure | +CGACT +CGDATA ATD*99 |
| 150 | invalid mobile class | +CGCLASS +CGATT |

19.2 Message service failure result code: +CMS ERROR : <er>

<er> is defined as below :

| <er> | Meaning | Resulting from the following commands |
|----------|--|--|
| 1 to 127 | Error cause values from the GSM recommendation 04.11 Annex E-2 | +CMGS, +CMSS |
| 301 | SMS service of ME reserved | +CSMS (with +CMS: ERROR 301) |
| 302 | Operation not allowed | All SMS commands (+CMSS, +CMGL, +CPMS, +CSMP...) |
| 303 | Operation not supported | All SMS commands |
| 304 | Invalid PDU mode parameter | +CMGS, +CMGW |
| 305 | Invalid text mode parameter | +CMGS, +CMGW, +CMSS |
| 310 | SIM not inserted | All SMS commands |
| 311 | SIM PIN required | All SMS commands |
| 312 | PH-SIM PIN required | All SMS commands |
| 313 | SIM failure | All SMS commands |
| 316 | SIM PUK required | All SMS commands |
| 317 | SIM PIN2 required | All SMS commands |
| 318 | SIM PUK2 required | All SMS commands |
| 321 | Invalid memory index | +CMGR, +CMSS, +CMGD |
| 322 | SIM memory full | +CMGW |
| 330 | SC address unknown | +CSCA?, +CMSS, +CMGS |
| 340 | no +CNMA acknowledgement expected | +CNMA |

19.3 Specific error result codes

| <error> | Meaning | Resulting from the following commands |
|---------|---|--|
| 500 | unknown error. | All commands |
| 512 | MM establishment failure (for SMS). | +CMGS, +CMSS (+CMS ERROR: 512) |
| 513 | Lower layer failure (for SMS) | +CMGS, +CMSS (+CMS ERROR: 513) |
| 514 | CP error (for SMS). | +CMGS, +CMSS (+CMS ERROR: 514) |
| 515 | Please wait, init or command processing in progress. | All commands ("+CME ERROR: 515" or "+CMS ERROR: 515") |
| 517 | SIM Toolkit facility not supported. | +STGI |
| 518 | SIM Toolkit indication not received. | +STGI |
| 519 | Reset the product to activate or change a new echo cancellation algo. | +ECHO, +VIP |
| 520 | Automatic abort about get plmn list for an incoming call. | +COPS=? |
| 526 | PIN deactivation forbidden with this SIM card. | +CLCK |
| 527 | Please wait, RR or MM is busy. Retry your selection later. | +COPS |
| 528 | Location update failure. Emergency calls only. | +COPS |
| 529 | PLMN selection failure. Emergency calls only. | +COPS |
| 531 | SMS not sent : the <da> is not in FDN phonebook, and FDN lock is enabled. (for SMS) | +CMGS, +CMSS (+CMS ERROR: 531) |
| 532 | the embedded application is activated so the objects flash are not erased | +WOPEN |
| 533 | Missing or Unknown APN | ATD*99 +GACT +CGDATA |

19.4 Failure Cause from GSM 04.08 recommendation (+CEER)

| Cause value | Diagnostic |
|-------------|---|
| 1 | Unassigned (unallocated) number |
| 3 | No route to destination |
| 6 | Channel unacceptable |
| 8 | Operator determined barring |
| 16 | Normal call clearing |
| 17 | User busy |
| 18 | No user responding |
| 19 | User alerting, no answer |
| 21 | Call rejected |
| 22 | Number changed |
| 26 | Non selected user clearing |
| 27 | Destination out of order |
| 28 | Invalid number format (incomplete number) |
| 29 | Facility rejected |
| 30 | Response to STATUS ENQUIRY |
| 31 | Normal, unspecified |

| Cause value | Diagnostic |
|-------------|--|
| 34 | No circuit/channel available |
| 38 | Network out of order |
| 41 | Temporary failure |
| 42 | Switching equipment congestion |
| 43 | Access information discarded |
| 44 | Requested circuit/channel not available |
| 47 | Resources unavailable, unspecified |
| 49 | Quality of service unavailable |
| 50 | Requested facility not subscribed |
| 55 | Incoming calls barred with in the CUG |
| 57 | Bearer capability not authorized |
| 58 | Bearer capability not presently available |
| 63 | Service or option not available, unspecified |
| 65 | Bearer service not implemented |
| 68 | ACM equal to or greater than ACMmax |
| 69 | Requested facility not implemented |
| 70 | Only restricted digital information bearer capability is available |
| 79 | Service or option not implemented, unspecified |
| 81 | Invalid transaction identifier value |
| 87 | User not member of CUG |
| 88 | Incompatible destination |
| 91 | Invalid transit network selection |
| 95 | Semantically incorrect message |
| 96 | Invalid mandatory information |
| 97 | Message type non-existent or not implemented |
| 98 | Message type not compatible with protocol state |
| 99 | Information element non-existent or not implemented |
| 100 | Conditional IE error |
| 101 | Message not compatible with protocol state |
| 102 | Recovery on timer expiry |
| 111 | Protocol error, unspecified |
| 127 | Interworking, unspecified |
| 224 | MS requested detach |
| 225 | PDP unsuccessful activation cause MMI ignore |
| 226 | NWK requested Detach |
| 227 | Unsuccessful attach cause NO SERVICE |
| 228 | Unsuccessful attach cause NO ACCESS |
| 229 | Unsuccessful attach cause GPRS SERVICE REFUSED |
| 230 | PDP deactivation requested by Nwk |
| 231 | PDP deactivation cause LLC link activation failed |
| 232 | PDP deactivation cause NWK reactivation with same TI |
| 233 | PDP deactivation cause GMM abort |
| 234 | PDP deactivation cause LLC or SMDCP failure |
| 235 | PDP unsuccessful activation cause GMM error |
| 236 | PDP unsuccessful activation cause NWK reject |
| 237 | PDP unsuccessful activation cause NO NSAPI available |
| 238 | PDP unsuccessful activation cause SM refuse |

All other values in the range 0 to 31 shall be treated as cause 31.

All other values in the range 32 to 47 shall be treated as cause 47.

All other values in the range 48 to 63 shall be treated as cause 63.
 All other values in the range 64 to 79 shall be treated as cause 79.
 All other values in the range 80 to 95 shall be treated as cause 95.
 All other values in the range 96 to 111 shall be treated as cause 111.
 All other values in the range 112 to 127 shall be treated as cause 127.

19.5 Specific Failure Cause for +CEER

| Cause value | Diagnostic |
|-------------|--|
| 240 | FDN is active and number is not in FDN |
| 241 | Call operation not allowed |
| 252 | Call barring on outgoing calls |
| 253 | Call barring on incoming calls |
| 254 | Call impossible |
| 255 | Lower layer failure |

19.6 GSM 04.11 Annex E-2: Mobile originating SM-transfer

These error causes could appear for **SMS commands** (+CMGS, +CMSS, +CMGD...)

Cause no 1: "Unassigned (unallocated) number"

This cause indicates that the destination requested by the Mobile Station cannot be reached because, although the number is in a valid format, it is not currently assigned (allocated).

Cause no 8: "Operator determined barring"

This cause indicates that the MS has tried to send a mobile originating short message when the MS's network operator or service provider has forbidden such transactions.

Cause no 10: "Call barred"

This cause indicates that the outgoing call barred service applies to the short message service for the called destination.

Cause no 21: "Short message transfer rejected"

This cause indicates that the equipment sending this cause does not wish to accept this short message, although it could have accepted the short message since the equipment sending this cause is neither busy nor incompatible.

Cause no 27: "Destination out of service"

This cause indicates that the destination indicated by the Mobile Station cannot be reached because the interface to the destination is not functioning correctly. The term "not functioning correctly" indicates that a signaling message was unable to be delivered to the remote user; e.g., a physical layer or data link layer failure at the remote user, user equipment off-line, etc.

Cause no 28: "Unidentified subscriber"

This cause indicates that the subscriber is not registered in the PLMN (e.g.. IMSI not known)

Cause no 29: "Facility rejected"

This cause indicates that the facility requested by the Mobile Station is not supported by the PLMN.

Cause no 30: "Unknown subscriber"

This cause indicates that the subscriber is not registered in the HLR (e.g.. IMSI or directory number is not allocated to a subscriber).

Cause no 38: "Network out of order"

This cause indicates that the network is not functioning correctly and that the condition is likely to last a relatively long period of time; e.g., immediately reattempting the short message transfer is not likely to be successful.

Cause no 41: "Temporary failure"

This cause indicates that the network is not functioning correctly and that the condition is not likely to last a long period of time; e.g., the Mobile Station may wish to try another short message transfer attempt almost immediately.

Cause no 42: "Congestion"

This cause indicates that the short message service cannot be serviced because of high traffic.

Cause no 47: "Resources unavailable, unspecified"

This cause is used to report a resource unavailable event only when no other cause applies.

Cause no 69: "Requested facility not implemented"

This cause indicates that the network is unable to provide the requested short message service.

Cause no 81: "Invalid short message transfer reference value"

This cause indicates that the equipment sending this cause has received a message with a short message reference which is not currently in use on the MS-network interface.

Cause no 95: "Invalid message, unspecified"

This cause is used to report an invalid message event only when no other cause in the invalid message class applies.

Cause no 96: "Invalid mandatory information"

This cause indicates that the equipment sending this cause has received a message where a mandatory information element is missing and/or has a content error (the two cases are undistinguishable).

Cause no 97: "Message type non-existent or not implemented"

This cause indicates that the equipment sending this cause has received a message with a message type it does not recognize either because this is a message not defined or defined but not implemented by the equipment sending this cause.

Cause no 98: "Message not compatible with short message protocol state"

This cause indicates that the equipment sending this cause has received a message such that the procedures do not indicate that this is a permissible message to receive while in the short message transfer state.

Cause no 99: "Information element non-existent or not implemented"

This cause indicates that the equipment sending this cause has received a message which includes unrecognized information elements because the information element identifier is not defined or it is defined but not implemented by the equipment sending the cause.

However, the information element is not required to be present in the message so that the equipment sends the cause to process the message.

Cause no 111: "Protocol error, unspecified"

This cause is used to report a protocol error event only when no other cause applies.

Cause no 127: "Interworking, unspecified"

This cause indicates that there has been interworking with a network which does not provide causes for actions it takes; thus, the precise cause for a message which is being sent cannot be ascertained.

All values other than specified should be treated as error Cause No 41

19.7 Unsolicited result codes

| Verbose result code | Numeric (VO set) | Description |
|--|-----------------------|--|
| +CALA: < time string>,<index> | As verbose | Alarm notification |
| +CBM: <length><pdu> (PDU) or +CBM:<sn>,<mid>,<dcs>,<page>,<pages>... (Text mode) | As verbose | Cell Broadcast Message directly displayed |
| +CBMI: "BM",<index> | As verbose | Cell Broadcast Message stored in mem at location <index> |
| +CCCM : <ccm> | As verbose | Current Call Meter value |
| +CCED: <values> | As verbose (specific) | Cell Environment Description indication |
| +CCWA : <number>,<type>, <class> [,<alpha>] | As verbose | Call Waiting number |
| +CDS: <fo>, <mr>... (text mode) or +CDS: <length>,... (PDU) | As verbose | SMS status report after sending a SMS |
| +CDSI: <mem>,<index> | As verbose | Incoming SMS Status Report after sending a SMS, stored in <mem> ("SR") at location <index> |
| +CKEV: <keynb> | As verbose | Key press or release |
| +CLIP : <number>, <type> [,...<alpha>] | As verbose | Incoming Call Presentation |
| +CMT: <oa>... (text mode) or +CMT: [<alpha>,...] (PDU) | as verbose | Incoming message directly displayed |
| +CMTI: <mem>,<index> | as verbose | Incoming message stored in <mem> ("SM") at location <index> |

| Verbose result code | Numeric (V0 set) | Description |
|-----------------------------------|-----------------------|--|
| +CREG :<mode>,<stat>[,<lac>,<ci>] | As verbose | Network registration indication |
| +CRING : <type> | As verbose | Incoming call type (VOICE, FAX ...) |
| +CSQ: <RxLev>,99 | As verbose | Automatic RxLev indication with AT+CCED=1,8 command |
| +CSSU: <code2>[<number>,<type>] | As verbose | Supplementary service notification during a call |
| +STIN: <ind> | As (specific) verbose | SIM Toolkit Indication |
| +WIND: <IndicationNb> [,<CallId>] | As (specific) verbose | Specific unsolicited indication (SIM Insert/Remove, End of init, Reset, Alerting, Call creation/release) |
| +WVMI: <LinId>,<Status> | As (specific) verbose | Voice Mail Indicator notification (cf. +CPHS command) |
| +WDCI: <LinId>,<Status> | As (specific) verbose | Diverted call indicator |
| RING | 2 | Incoming call signal from network |
| +WBCI | As (specific) Verbose | Battery charge indication |
| +CIEV | As (specific) Verbose | Indicator event reporting |

19.8 Final result codes

| Verbose result code | Numeric (V0 set) | Description |
|---------------------|------------------|--|
| +CME ERROR: <err> | As verbose | Error from GSM 07.05 commands |
| +CMS ERROR: <err> | As verbose | Error from SMS commands (07.07) |
| BUSY | 7 | Busy signal detected |
| ERROR | 4 | Command not accepted |
| NO ANSWER | 8 | Connection completion timeout |
| NO CARRIER | 3 | Connection terminated |
| OK | 0 | Acknowledges correct execution of a command line |
| RING | 2 | Incoming call signal from network |

19.9 Intermediate result codes

| Verbose result code | Numeric (V0 set) | Description |
|--------------------------|------------------|--|
| +COLP :<number>,<type> | as verbose | Outgoing Call Presentation |
| +CR : <type> | as verbose | Outgoing Call report control |
| +ILRR: <rate> | as verbose | Local TA-TE data rate |
| CONNECT 300 | 10 | Data connection at 300 bauds |
| CONNECT 1200 | 11 | Data connection at 1200 bauds |
| CONNECT 1200/75 | 12 | Data connection at 1200/75 bauds |
| CONNECT 2400 | 13 | Data connection at 2400 bauds |
| CONNECT 4800 | 14 | Data connection at 4800 bauds |
| CONNECT 9600 | 15 | Data connection at 9600 bauds |
| CONNECT 14400 | 16 | Data connection at 14400 bauds |
| +CSSI: <code1>[,<index>] | As verbose | Supplementary service notification during a call setup |

19.10 Parameters storage

| Command | Parameters storage mode | | | | Default values |
|---------|-------------------------|---------------|--------------------|-----------------|----------------|
| | AT&W (E2P) | Command (E2P) | AT+CSAS (SIM, E2P) | AT&F (SIM, E2P) | |

| General commands | | | | | |
|------------------|---|---|--|---|---------------|
| +CSCS | X | | | X | "PCCP437" |
| +WPCS | X | | | X | "TRANSPARENT" |
| +CMEE | X | | | X | 0 |
| +CRSL | | X | | X | 6 |

| Call Control commands | | | | | |
|-----------------------|---|---|--|---|---|
| %D | | X | | X | 0 |
| ATSO | X | | | X | 0 (no auto-answer) |
| +CICB | X | | | X | 2 (speech) |
| +CSNS | X | | | X | 0 (voice) |
| +VGR | X | | | X | 64 (speaker 1) 32 (speaker 2) |
| +VGT | X | | | X | 64 (mic 1 & ctrl 1) 0 (others) |
| +SPEAKER | X | | | X | 0 (Spk 1 & Mic 1) |
| +ECHO | | X | | X | ,1,0,3,10,7 (Algo ID 1) ,3,30,8000,256 (Algo ID 3) |
| +SIDET | X | | | X | 1,1 |

| Network Service commands | | | | | |
|--------------------------|---|---|--|---|-----|
| +COPS | X | X | | X | 0,2 |
| +CREG | X | | | X | 0 |

| Phonebook commands | | | | | |
|--------------------|---|---|--|---|---|
| +WAIP | X | | | X | 0 |
| +CSVM | | X | | X | 0 |

| Parameters storage mode | | | | | |
|-------------------------|------------|---------------|--------------------|-----------------|----------------|
| Command | AT&W (E2P) | Command (E2P) | AT+CSAS (SIM, E2P) | AT&F (SIM, E2P) | Default values |

| SMS commands | | | | | |
|--------------|---|---|---|---|-------------------------|
| +CSMS | | X | | | 0 |
| +CMGF | X | | | X | 1 (text) |
| +CSDH | X | | | X | 0 |
| +CNMI | | | X | X | 0,1,0,0,0 |
| +CSMP | | | X | X | 1,167,0,0 |
| +CSCA | | | X | | SIM dependant (phase 2) |
| +WUSS | | X | | X | 0 |

| Supplementary Services commands | | | | | |
|---------------------------------|---|---|--|---|-------|
| +CCWA | X | | | X | 0 |
| +CLIP | X | | | X | 0 |
| +COLP | X | | | X | 0 |
| +CSSN | X | | | X | 0,0 |
| +CUSD | | X | | X | 0 |
| +CCUG | | X | | | 0,0,0 |

| Data commands | | | | | |
|---------------|---|--|--|---|--------------|
| +CBST | X | | | X | 0,0,1 |
| +CR | X | | | X | 0 |
| +CRC | X | | | X | 0 |
| +ILRR | X | | | X | 0 |
| +CRLP | X | | | X | 61,61,48,6,1 |
| +DOPT | X | | | X | 1,1 |
| %C | X | | | X | 0 |
| +DS | X | | | X | 3,0,4096,20 |
| +DR | X | | | X | 0 |
| \N | X | | | X | 0 |

| Parameters storage mode | | | | | |
|-------------------------|------------|---------------|--------------------|-----------------|----------------|
| Command | AT&W (E2P) | Command (E2P) | AT+CSAS (SIM, E2P) | AT&F (SIM, E2P) | Default values |

| Fax Class 2 commands | | | | | |
|----------------------|---|--|--|---|-------------------|
| +FBOR | X | | | X | 0 |
| +FCQ | X | | | X | 0 |
| +FCR | X | | | X | 1 |
| +FDCC,+FDIS | X | | | X | 0,5,0,0,2,0,0,0,0 |
| +FPHCTO | X | | | X | 30 |

| V24 - V25 commands | | | | | |
|--------------------|---|--|--|---|------|
| +IPR | X | | | | 9600 |
| +ICF | X | | | | 3,4 |
| +IFC | X | | | | 2,2 |
| &C | X | | | | 1 |
| &D | X | | | | 2 |
| &S | X | | | | 1 |
| Q | X | | | X | 0 |
| V | X | | | X | 1 |
| E | X | | | | 1 |
| +WMUX | X | | | X | 0 |

| Specific commands | | | | | |
|-------------------|---|---|--|---|---|
| +WIND | | X | | X | 0 |
| +ADC | | X | | X | 0 |
| +CMER | X | | | X | ,0,,0 |
| +WIOM | | X | | | 255,0 |
| +WVR | | X | | | 5 |
| +WDR | | X | | | 2 |
| +WSVG | | X | | X | 0 |
| +WRIM | | X | | X | 0 |
| +WCMDM | | X | | X | 0,0 |
| +CPHS | | X | | X | ,0 |
| +WBCM | | X | | X | 0,0,4200,3300,100,50 00,0 |
| +WOPEN | | X | | | 0 |
| +WBM | | X | | | 0,0 for SPI bus 0,4 for I2C Soft bus |

| Parameters storage mode | | | | | |
|-------------------------|------------|---------------|--------------------|-----------------|----------------|
| Command | AT&W (E2P) | Command (E2P) | AT+CSAS (SIM, E2P) | AT&F (SIM, E2P) | Default values |

| SIM Toolkit commands | | | | | |
|----------------------|--|---|--|--|--------------------|
| +STSF | | X | | | 0,"160060C01F",3,0 |

| GPRS commands | | | | | |
|---------------|---|---|--|---|-------------------|
| +CGREG | X | | | X | 0 |
| +CGAUTO | X | | | X | 3 |
| +CGEREP | X | | | X | 0 |
| +CGSMS | | X | | | 1 |
| +CGCLASS | | X | | | "B" |
| +WGPRS | | X | | | 0,1 1,0 3,0 |

19.11 GSM sequences list

In accordance with **GSM 02.30**, the product supports the following GSM sequences, which can be used through the ATD and the +CKPD commands.

19.11.1 Security

| | |
|---------------------------------------|----------------------|
| **04*OLDPIN*NEWPIN*NEWPIN# | Change PIN code |
| **042*OLDPIN2*NEWPIN2*NEWPIN2# | Change PIN2 code |
| **05*PUK*NEWPIN*NEWPIN# | Unlock PIN code |
| **052*PUK2*NEWPIN2*NEWPIN2# | Unlock PIN2 code |
| *#06# | Show the IMEI number |

19.11.2 Call forwarding

| | |
|---|-----------------------------|
| *SC# | Activate |
| **SC*PhoneNumber# or **SC*PhoneNumber*BS# or **SC*PhoneNumber*[BS]*T# | Register and activate |
| *#SC# or *#SC**BS# | Check status |
| #SC# | Deactivate |
| ##SC# or ##SC**BS# | Unregistered and deactivate |

The Service codes (SC) are:

| | |
|-----|----------------------------------|
| 002 | all call forwarding |
| 004 | all conditional call forwarding |
| 21 | call forwarding unconditional |
| 61 | call forwarding on no answer |
| 62 | call forwarding on not reachable |
| 67 | call busy |

The Network service codes (BS) are:

| | |
|---------|-------------------------------|
| No code | All tele and bearer services |
| 10 | All teleservices |
| 11 | Telephony |
| 12 | All data teleservices |
| 13 | Fax services |
| 16 | Short Message Services |
| 19 | All teleservices except SMS |
| 20 | All bearer services |
| 21 | All asynchronous services |
| 22 | All synchronous services |
| 24 | All data circuit synchronous |
| 25 | All data circuit asynchronous |
| 26 | All dedicated packet access |
| 27 | All dedicated PAD access |

The no reply condition timer (T), is only used for SC = 002, 004 or 61.

19.11.3 Call barring

| | |
|-----------------------------------|----------------------------------|
| *SC*Password# or *SC*Password*BS# | Activate |
| *#SC# or *#SC**BS# | Check status |
| #SC*Password# or #SC*Password*BS# | Deactivate |
| **03*330*OLDPWD*NEWPWD*NEWPWD# | Change password for call barring |
| **03**OLDPWD*NEWPWD*NEWPWD# | |
| *03*330*OLDPWD*NEWPWD*NEWPWD# | |
| *03**OLDPWD*NEWPWD*NEWPWD# | |

The Service codes (SC) are the followings:

| | |
|-----|--|
| 33 | call barring of outgoing call |
| 330 | all barring service (only for deactivation) |
| 331 | call barring of outgoing international call |
| 332 | call barring of outgoing international calls except to HPLMN |
| 333 | all outgoing barring service (only for deactivation) |
| 35 | call barring of incoming calls |
| 351 | call barring of incoming calls if roaming |
| 353 | all incoming barring service (only for deactivation) |

The Network service codes (BS) are the same as these of the call forwarding sequences.

19.11.4 Call waiting

| | |
|-------|--------------|
| *43# | Activate |
| *#43# | Check status |
| #43# | Deactivate |

19.11.5 Number presentation

| | |
|-----------------|--------------------------------|
| *#30# | CLIP check status |
| *#31# | CLIR check status |
| *31#PhoneNumber | Suppress CLIR for a voice call |
| #31#PhoneNumber | Invoke CLIR for a voice call |
| *#76# | COLP check status |

19.12 Operator names

| Country Initials | MCC | MNC | Preferred Presentation of Country Initials and Mobile Network Name | Abbreviated Mobile Network Name |
|------------------|-----|-----|--|---------------------------------|
| A | 232 | 01 | A1 | A1 |
| A | 232 | 03 | A max. | max. |
| A | 232 | 05 | one | one |
| A | 232 | 07 | A tele.ring | telering |
| AL | 276 | 01 | AMC-AL | A M C |
| ALG | 603 | 01 | ALG RAMN | AMN |
| AN | 344 | 30 | APUA PCS ANTIGUA | APUA-PCS |
| AND | 213 | 03 | STA-MOBILAND | M-AND |
| AUS | 505 | 01 | Telstra MNet | Telstra |
| AUS | 505 | 02 | YES OPTUS | Optus |
| AUS | 505 | 03 | VODAFONE AUS | VFONE |
| AUS | 505 | 08 | One.Tel | One.Tel |
| AZE | 400 | 01 | AZE-AZERCELL | ACELL |
| AZE | 400 | 02 | AZE RBKCELL | BKCELL |
| B | 206 | 01 | BEL PROXIMUS | PROXI |
| B | 206 | 10 | B mobistar | mobi* |
| BD | 470 | 03 | SHEBA | SHEBA |
| BE | 206 | 20 | Orange | Orange |
| BG | 284 | 01 | M-TEL GSM BG | M-TEL |
| BGD | 470 | 01 | BGD-GP | GP |
| BGD | 470 | 02 | BGD AKTEL | AKTEL |
| BHR | 426 | 01 | BHR M-PLUS | M.PLUS |
| BIH | 218 | 03 | BIH-ERONET | ERONET |
| BIH | 218 | 05 | GSM-MS1 | GSM-MS1 |
| BIH | 218 | 90 | PTT-GSMBIH | BHGSM |
| BRU | 528 | 11 | BRU-DSTCom | DSTCom |
| BW | 276 | 00 | BW MASCOM | MASCOM |
| BW | 652 | 01 | BW MASCOM | MASCOM |
| BY | 257 | 01 | BY VELCOM | VELCOM |
| CAN | 302 | 37 | CAN-MCELL | MCELL |
| CH | 228 | 01 | SWISS GSM | SWISS |
| CH | 228 | 02 | diAx Swiss | diAx |
| CH | 228 | 03 | orange CH | orange |
| CHN | 460 | 00 | CMCC | CMCC |
| CHN | 460 | 01 | CHN-CUGSM | CU-GSM |
| CHU | 466 | 92 | Chunghwa | CHGHWA |
| CI | 612 | 03 | CI Ivoiris | Ivoir |
| CI | 612 | 05 | TELECEL-CI | TELCEL |
| CL | 730 | 01 | CL ENTEL PCS | ENTEL |
| CL | 730 | 10 | CL ENTEL PCS | ENTEL |

| Country Initials | MCC | MNC | Preferred Presentation of Country Initials and Mobile Network Name | Abbreviated Mobile Network Name |
|------------------|-----|-----|--|---------------------------------|
| CMR | 624 | 02 | Mobilis | CAM 02 |
| CPV | 625 | 01 | CPV MOVEL | CMOVEL |
| CY | 280 | 01 | CY CYTAGSM | CY-GSM |
| CZ | 230 | 01 | CZ PAEGAS | PAEGAS |
| CZ | 230 | 02 | EUROTEL - CZ | ET - CZ |
| D | 262 | 01 | D1-TELEKOM | T-D1 |
| D | 262 | 02 | D2 PRIVAT | D2 |
| D | 262 | 03 | E-Plus | E-Plus |
| D | 262 | 07 | D Interkom | Ik |
| DK | 238 | 01 | DK TDK-MOBIL | TD MOB |
| DK | 238 | 02 | DK SONOFON | SONO |
| DK | 238 | 20 | TELIA DK | TELIA |
| DK | 238 | 30 | DK Mobilix | #mbix |
| DO | 370 | 01 | orange | orange |
| E | 214 | 01 | E AIRTEL | AIRTL |
| E | 214 | 02 | MOVISTAR | MSTAR |
| E | 214 | 03 | E AMENA | AMENA |
| E | 214 | 07 | MOVISTAR | MSTAR |
| EE | 248 | 01 | EE EMT GSM | EMT |
| EE | 248 | 02 | EE RLE | RLE |
| EE | 248 | 03 | EE Q GSM | Q GSM |
| EGY | 602 | 01 | EGY MobiNiL | MobiNiL |
| EGY | 602 | 02 | EGY CLICK | CLICK |
| ETH | 636 | 01 | ETH-MTN | ET-MTN |
| F | 208 | 01 | Orange F | Orange |
| F | 208 | 10 | F SFR | SFR |
| F | 208 | 20 | BOUYGTEL | BYTEL |
| F | 340 | 01 | F AMERIS | AMERIS |
| F | 547 | 20 | F-VINI | VINI |
| F | 647 | 10 | SFR REUNION | SFR RU |
| FI | 244 | 03 | FI TELIA | TELIA |
| FI | 244 | 05 | FI RL | RL |
| FI | 244 | 09 | FI FINNET | FINNET |
| FI | 244 | 91 | FI SONERA | SONERA |
| FIJ | 542 | 01 | VODAFONE FIJ | VODAFJ |
| GEO | 282 | 01 | GEO-GEOCELL | GCELL |
| GEO | 282 | 02 | MAGTI-GEO | MAGTI |
| GH | 620 | 01 | GH SPACEFON | SPACE |
| GH | 620 | 02 | GH GTGSM | GTGSM |
| GIB | 266 | 01 | GIBTEL GSM | GIBTEL |
| GN | 611 | 02 | GN LAGUI | LAGUI |
| GR | 202 | 01 | GR COSMOTE | C-OTE |

| Country Initials | MCC | MNC | Preferred Presentation of Country Initials and Mobile Network Name | Abbreviated Mobile Network Name |
|------------------|-----|-----|--|---------------------------------|
| GR | 202 | 05 | GR PANAFON | PAN |
| GR | 202 | 10 | GR TELESTET | TLSTET |
| H | 216 | 01 | H PANNON GSM | PANNON |
| H | 216 | 30 | H-WESTEL 900 | W-900 |
| H | 216 | 70 | Vodafone | H-70 |
| HK | 454 | 00 | CSL | CSL |
| HK | 454 | 04 | HK Orange | ORANGE |
| HK | 454 | 06 | HK SMC | HKSMC |
| HK | 454 | 10 | NEW WORLD | NWPCS |
| HK | 454 | 12 | PEOPLES | PEOPLES |
| HK | 454 | 16 | SUNDAY | SUNDAY |
| HR | 219 | 01 | HR-CRONET | CRON |
| HR | 219 | 10 | HR-VIPNET | VIP |
| I | 222 | 01 | I TIM | TIM |
| I | 222 | 10 | I OMNITEL | OMNI |
| I | 222 | 88 | I WIND | I WIND |
| I | 222 | 98 | I BLU | BLU |
| IL | 425 | 01 | IL ORANGE | ORANGE |
| INA | 404 | 01 | ESSARH | ESSARH |
| INA | 404 | 07 | INA TATA | TATA |
| INA | 404 | 10 | INA-AIRTL | AIRTL |
| INA | 404 | 11 | INA ESSAR | ESSAR |
| INA | 404 | 12 | INA - ESCOTEL | ESCOTL |
| INA | 404 | 14 | MODICOM INA | MODICO |
| INA | 404 | 15 | ESSARU | ESSARU |
| INA | 404 | 20 | INA MaxTouch | MAXTCH |
| INA | 404 | 21 | BPL MOBILE | BPL MOBILE |
| INA | 404 | 27 | BPL MOBILE | BPL MOBILE |
| INA | 404 | 30 | INA COMMAND | COMMND |
| INA | 404 | 41 | INA RPG | RPG |
| INA | 404 | 42 | INA AIRCEL | AIRCEL |
| INA | 404 | 43 | BPL MOBILE | BPL MOB |
| INA | 404 | 46 | BPL MOBILE | BPL MOB |
| INA | 404 | 60 | ESSARR | ESSARR |
| IND | 404 | 44 | IN-44 | SPICE |
| IND | 510 | 01 | IND SAT-C | SAT-C |
| IND | 510 | 10 | IND RT-SEL | T-SEL |
| IND | 510 | 11 | IND GSM-XL | EXCEL |
| IRL | 272 | 01 | IRL Eircell | Eircell |
| IRL | 272 | 02 | IRL DIGIFONE | DIGI |
| IS | 274 | 01 | IS SIMINN | SIMINN |
| IS | 274 | 02 | IS TAL | TAL |

| Country Initials | MCC | MNC | Preferred Presentation of Country Initials and Mobile Network Name | Abbreviated Mobile Network Name |
|------------------|-----|-----|--|---------------------------------|
| JOR | 416 | 01 | Fastlink | FSTLNK |
| KGZ | 437 | 01 | BITEL KGZ | BITEL |
| KHM | 456 | 01 | MOBITEL-KHM | MT-KHM |
| KHM | 456 | 02 | KHM-SM | KHM-SM |
| KSA | 420 | 01 | ALJAWWAL | KSA |
| KSA | 420 | 07 | EAE-ALJAWWAL | EAE |
| KT | 419 | 02 | KT MTCNet | MTC |
| KT | 419 | 03 | KT WATANIYA | WATANIYA |
| KZ | 401 | 01 | KZ K-MOBILE | K-MOBILE |
| KZ | 401 | 02 | KZ KCELL | KCELL |
| L | 270 | 01 | L LUXGSM | LUXGSM |
| L | 270 | 77 | L TANGO | TANGO |
| LAO | 457 | 01 | LAO GSM | LAO GSM |
| LBR | 618 | 01 | LBR OMEGA | OMEGA |
| LSO | 651 | 01 | VCL COMMS | VCLCOM |
| LT | 246 | 02 | LT BITE GSM | BITE |
| LTU | 246 | 01 | OMNITEL LT | OMT |
| LV | 247 | 01 | LV LMT GSM | LMT |
| LV | 247 | 02 | LV BALTCOM | B-COM |
| M | 278 | 01 | VODAFONE MLA | VODA M |
| MAC | 455 | 01 | MAC-CTMGSM | CTMGSM |
| MD | 259 | 01 | MD VOXTEL | VOXTEL |
| MDG | 642 | 02 | MDG-ANTARIS | ANTARI |
| MKD | 294 | 01 | MKD-MOBIMAK | MOBI-M |
| MOR | 604 | 00 | Meditel | MEDITEL |
| MOR | 604 | 01 | MOR IAM | IAM |
| MOZ | 643 | 01 | MOZ-mCel | mCel |
| MRU | 617 | 01 | CELLPLUS-MRU | CELL + |
| MRU | 617 | 10 | EMTEL-MRU | EMTEL |
| MV | 472 | 01 | MV DHIMOBILE | D-MOBILE |
| MW | 650 | 01 | MW CP 900 | CP 900 |
| MW | 650 | 10 | CELTEL MW | CELTEL |
| MY | 502 | 12 | MY Rmaxis | maxis |
| MY | 502 | 13 | TMTOUCH | TMTOUCH |
| MY | 502 | 16 | MY DIGI 1800 | MT18 |
| MY | 502 | 17 | MY-ADAM 017 | ADAM |
| MY | 502 | 19 | MY CELCOM | CELCOM |
| N | 242 | 01 | N Telenor | TELENOR |
| N | 242 | 02 | N NetCom GSM | N COM |
| NCL | 546 | 01 | NCL MOBILIS | MOBNCL |
| NL | 204 | 04 | vodafone NL | voda NL |
| NL | 204 | 08 | NL KPN | NL KPN |

| Country Initials | MCC | MNC | Preferred Presentation of Country Initials and Mobile Network Name | Abbreviated Mobile Network Name |
|------------------|-----|-----|--|---------------------------------|
| NL | 204 | 12 | NL TELFORT | TELFORT |
| NL | 204 | 16 | Ben NL | Ben NL |
| NL | 204 | 20 | Dutchtone | Dtone |
| NZ | 530 | 01 | VODAFONE NZ | VODA |
| OMN | 422 | 02 | OMAN MOBILE | OMAN |
| P | 268 | 01 | P TELECEL | TLCL |
| P | 268 | 03 | P OPTIMUS | OPTIM |
| P | 268 | 06 | P TMN | TMN |
| PGY | 744 | 01 | HOLA PARAGUAY S.A. | HPGYSA |
| PGY | 744 | 01 | HOLA PARAGUAY S.A. | HPGYSA |
| PH | 515 | 01 | ISLACOM | ISLA |
| PH | 515 | 02 | GLOBE PH | GLOBE |
| PH | 515 | 03 | PH SMART | SMART |
| PL | 260 | 01 | PL-PLUS | PLUS |
| PL | 260 | 02 | PL-ERA GSM | ERAGSM |
| PL | 260 | 03 | PL-IDEA | IDEA |
| PSE | 425 | 05 | JAWWAL-PALESTINE | JAWWAL |
| QAT | 427 | 01 | QAT-QATARNET | Q-NET |
| R | 635 | 10 | R-CELL | RCELL |
| RA | 283 | 01 | RA-ARMGSM | ARMMO1 |
| RL | 415 | 01 | RL Cellis | CLLIS |
| RL | 415 | 03 | RL LibanCell | LibCL |
| RO | 226 | 01 | RO CONNEX | CONNEX |
| RO | 226 | 10 | RO dialog | dialog |
| RUS | 250 | 01 | MTS-RUS | MTS |
| RUS | 250 | 02 | NWGSM RUS | NWGSM |
| RUS | 250 | 05 | SCS RUS | SCS |
| RUS | 250 | 07 | RUS BMT | BMT |
| RUS | 250 | 12 | Far East RUS | FEast |
| RUS | 250 | 13 | KUGSM | KUGSM |
| RUS | 250 | 17 | RUS 17 | ERMAK |
| RUS | 250 | 28 | EXTEL RUS | EXTEL |
| RUS | 250 | 39 | Uraltel | UTL |
| RUS | 250 | 44 | NC-GSM | NC-GSM |
| RUS | 250 | 93 | --- | --- |
| RUS | 250 | 99 | BEE L | Bee Line |
| S | 240 | 01 | TELIA | TELIA |
| S | 240 | 07 | S COMVIQ | IQ |
| S | 240 | 08 | EURO | EURO |
| SA | 655 | 01 | VodaCom-SA | VODA |
| SA | 655 | 10 | MTN-SA | MTN |
| SDN | 634 | 01 | SDN MobiTel | SD-MOB |

| Country Initials | MCC | MNC | Preferred Presentation of Country Initials and Mobile Network Name | Abbreviated Mobile Network Name |
|------------------|-----|-----|--|---------------------------------|
| SEZ | 633 | 01 | SEZ SEYCEL | SEYCEL |
| SEZ | 633 | 10 | SEZ AIRTEL | AIRTEL |
| SGP | 525 | 01 | ST-GSM-SGP | STGSM |
| SGP | 525 | 02 | GSM1800 | GSM1800 |
| SGP | 525 | 03 | M1-GSM-SGP | M1-GSM |
| SGP | 525 | 05 | STARHUB-SGP | STARHUB |
| SI | 293 | 40 | SI.MOBIL | SI.MOBIL |
| SI | 293 | 41 | SI SI-GSM | SI-GSM |
| SK | 231 | 01 | SVK GT | SVK GT |
| SK | 231 | 02 | EUROTEL-SK | ET-SK |
| SN | 608 | 01 | SN ALIZE | ALIZE |
| SN | 608 | 02 | SENTEL | SENTEL |
| SRI | 413 | 02 | SRI DIALOG | DALOG |
| SRI | 413 | 03 | SRI - CELLTEL | CELLTEL |
| SYR | 417 | 09 | SYR MOB SYR | MOBILE |
| SZ | 653 | 10 | Swazi-MTN | SwaziMTN |
| TG | 615 | 01 | TG-TOGO CELL | TGCELL |
| TH | 520 | 01 | TH AIS GSM | TH AIS |
| TH | 520 | 10 | TH ORANGE | ORANGE |
| TH | 520 | 18 | TH-DTAC | DTAC |
| TH | 520 | 23 | TH-HELLO | HELLO |
| TN | 605 | 02 | TUNISIE TELECOM | TT |
| TR | 286 | 01 | TR RTCELL | TCELL |
| TR | 286 | 02 | TR TELSIM | TELSIM |
| TWN | 466 | 01 | FarEastone | FET |
| TWN | 466 | 06 | TWN TUNTEX | TUNTEX |
| TWN | 466 | 88 | KGT-ONLINE | KGT |
| TWN | 466 | 93 | Mobitai | TW MOB |
| TWN | 466 | 97 | TWN GSM | PCC |
| TWN | 466 | 99 | TransAsia | |
| TZ | 640 | 01 | Tritel-TZ | TRITEL |
| TZ | 640 | 03 | ZANTEL-TZ | ZANTEL |
| UA | 255 | 01 | UA UMC | UMC |
| UA | 255 | 03 | UA-KYIVSTAR | UA-KS |
| UA | 255 | 05 | UA-GOLDEN | UA-GT |
| UAE | 424 | 02 | UAE ETISALAT | ETSLT |
| UG | 641 | 01 | UG CeITel | CELTEL |
| UG | 641 | 10 | MTN-UGANDA | MTN-UG |
| UK | 234 | 10 | BTCELLNET | BTCNET |
| UK | 234 | 15 | UK VODAFONE | VODA |
| UK | 234 | 30 | one2one | ONE2ONE |
| UK | 234 | 33 | ORANGE | ORANGE |

| Country Initials | MCC | MNC | Preferred Presentation of Country Initials and Mobile Network Name | Abbreviated Mobile Network Name |
|------------------|-----|-----|--|---------------------------------|
| UK | 234 | 50 | JT GSM | JT GSM |
| UK | 234 | 55 | GSY-TEL | GSY-TEL |
| UK | 234 | 58 | MANX | MANX |
| UKR | 255 | 02 | FLASH-UKR | FLASH |
| USA | 310 | 10 | USA MCI | --- |
| USA | 310 | 11 | USA Wireless 2000 Telepho | WTTCKy |
| USA | 310 | 12 | USA D&E Com | --- |
| USA | 310 | 13 | USA MobileTel | --- |
| USA | 310 | 20 | USA Sprint | --- |
| USA | 310 | 30 | USA PCS PRIME | --- |
| USA | 310 | 31 | USA-AERIAL | AERIAL |
| USA | 310 | 40 | USA PCS PRIME | --- |
| USA | 310 | 50 | USA PCS PRIME | --- |
| USA | 310 | 60 | USA PCS PRIME | --- |
| USA | 310 | 70 | USA PCS PRIME | --- |
| USA | 310 | 80 | USA PCS PRIME | --- |
| USA | 310 | 90 | USA PCS PRIME | --- |
| USA | 310 | 100 | USA PCS PRIME | --- |
| USA | 310 | 110 | USA Wireless 2000 Telepho | WTTCKy |
| USA | 310 | 120 | USA PCS PRIME | --- |
| USA | 310 | 130 | USA PCS PRIME | --- |
| USA | 310 | 140 | USA PCS PRIME | --- |
| USA | 310 | 150 | BellSouth Mobility DCS | BSMDCS |
| USA | 310 | 160 | USA OMNIPOINT | --- |
| USA | 310 | 170 | USA PAC BELL | --- |
| USA | 310 | 180 | USA PAC BELL | --- |
| USA | 310 | 190 | USA COX | --- |
| USA | 310 | 200 | VoiceStream | VStream |
| USA | 310 | 210 | VoiceStream | VStream |
| USA | 310 | 220 | VoiceStream | VStream |
| USA | 310 | 230 | VoiceStream | VStream |
| USA | 310 | 240 | VoiceStream | VStream |
| USA | 310 | 250 | VoiceStream | VStream |
| USA | 310 | 260 | VoiceStream | VStream |
| USA | 310 | 270 | USA Powertel, Inc. | USA27 |
| USA | 310 | 280 | USA PowerTel | --- |
| USA | 310 | 290 | USA PowerTel | --- |
| USA | 310 | 300 | USA Aerial | --- |
| USA | 310 | 310 | USA-AERIAL | AERIAL |
| USA | 310 | 320 | USA Aerial | --- |
| USA | 310 | 330 | USA Aerial | --- |
| USA | 310 | 340 | USA Aerial | --- |

| Country Initials | MCC | MNC | Preferred Presentation of Country Initials and Mobile Network Name | Abbreviated Mobile Network Name |
|------------------|-----|-----|--|---------------------------------|
| USA | 310 | 350 | USA Aerial | --- |
| USA | 310 | 380 | USA Pocket | --- |
| USA | 310 | 390 | USA Pocket | --- |
| USA | 310 | 400 | USA Pocket | --- |
| USA | 310 | 410 | USA Pocket | --- |
| USA | 310 | 420 | USA Pocket | --- |
| USA | 310 | 430 | USA Pocket | --- |
| USA | 310 | 440 | USA Pocket | --- |
| USA | 310 | 450 | USA Pocket | --- |
| USA | 310 | 460 | USA OMNIPOINT | --- |
| USA | 310 | 470 | USA OMNIPOINT | --- |
| USA | 310 | 480 | USA OMNIPOINT | --- |
| USA | 310 | 490 | USA OMNIPOINT | --- |
| USA | 310 | 500 | USA OMNIPOINT | --- |
| USA | 310 | 510 | USA OMNIPOINT | --- |
| USA | 310 | 520 | USA OMNIPOINT | --- |
| USA | 310 | 530 | USA OMNIPOINT | --- |
| USA | 310 | 540 | USA OMNIPOINT | --- |
| USA | 310 | 550 | USA OMNIPOINT | --- |
| USA | 310 | 560 | USA OMNIPOINT | --- |
| USA | 310 | 570 | USA OMNIPOINT | --- |
| USA | 310 | 580 | USA OMNIPOINT | --- |
| USA | 310 | 610 | USA OMNIPOINT | --- |
| USA | 310 | 620 | USA OMNIPOINT | --- |
| USA | 310 | 630 | USA OMNIPOINT | --- |
| USA | 310 | 640 | USA Einstein | --- |
| USA | 310 | 660 | USA DiGiPH | --- |
| USA | 310 | 670 | USA WTTCKy | --- |
| USA | 310 | 680 | USA NPI | --- |
| USA | 310 | 690 | USA Conestoga | --- |
| USA | 310 | 770 | Iowa Wireless USA | IWS |
| USA | 310 | 790 | USA PinPoint Wireless | PnPt |
| UZB | 434 | 04 | UZB DAEWOO | DW-GSM |
| UZB | 434 | 05 | UZB CSOCOM | COSCOM |
| VN | 452 | 01 | VN Mobi Fone | VMS |
| VN | 452 | 02 | VN VINA FONE | GPC |
| VZ | 734 | 01 | VZ INFO | INFONT |
| VZ | 734 | 02 | DIGITEL | DIGITEL |
| YU | 220 | 01 | YU MOBTEL | MOBTEL |
| ZW | 648 | 01 | ZW NET*ONE | NET*1 |

19.13 Data / Commands multiplexing protocol

19.13.1 Introduction

The Wavecom multiplexing protocol operates between a DCE (Data Communication Equipment: the product) and a DTE (Data Terminal Equipment). It allows a double session over a serial link interface : one for AT commands and one for DATA communications.

AT+WMUX=1 activates the Multiplexing Mode. With this mode, AT commands and DATA are encapsulated into packets. The header of these packets allows to recognize whether it is a DATA packet or an AT command packet. AT+WMUX=0 deactivates the Multiplexing Mode and gets the product back to the default mode.

This appendix presents how the multiplexing mode handles the DATA and the AT commands flow. It also describes the format of DATA packets and AT command packets.

19.13.2 AT command packets

An AT command is encapsulated into a packet with a header which allows to separate it from DATA packets. This packet is formed by a header (3 bytes), the AT command itself and a checksum (1 byte) :

| B7 | B6 | B5 | B4 | B3 | B2 | B1 | B0 |
|---------------------------|----|----|----|----|-----------------------|----|----|
| Start pattern → 0xAA | | | | | | | |
| AT command length LSB | | | | | | | |
| AT command pattern → 0x1D | | | | | AT command length MSB | | |
| AT command | | | | | | | |
| Checksum | | | | | | | |

The 3 bytes of the header are:

- ➔ the first byte (0xAA) is used to identify the packet,
- ➔ the second byte represents the 8 LSB (Low Significant Bits) bits of the length of the AT command,
- ➔ the third byte is made of 2 parts :
 - the 3 LSB bits are the 3 MSB (Most Significant Bits) bits of the length of the AT command,
 - the 5 MSB bits (0x1D which equals to 0xE8 with the 3 bits offset) are used to identify an AT command.

The maximum length of an AT command could be 2047 bytes which is greater than all the existing AT commands.

The checksum is the addition (modulo 256) of all the transmitted bytes (header bytes and AT command bytes).

19.13.3 Data packets

Like for AT commands, DATA are encapsulated into packets. These packets are composed of a header (3 bytes), the data bytes and the checksum (1 byte) :

| | | | | | | | |
|------------------------|----|----|----|------------------------|----|----|----|
| B7 | B6 | B5 | B4 | B3 | B2 | B1 | B0 |
| Start pattern → 0xDD | | | | | | | |
| Data packet length LSB | | | | | | | |
| Data packet type | | | | Data packet length MSB | | | |
| Data Bytes | | | | | | | |
| Checksum | | | | | | | |

The 3 bytes of the header are:

- ➔ the first byte (0xDD) used to identify the packet,
- ➔ the second byte represents the 8 LSB bits of the length of the data field,
- ➔ the last byte is made of 2 parts :
 - the 3 LSB bits represent the 3 MSB bits of the length of the data field,
 - the 5 MSB bits represent the packet type.

Data packets can have different values according to the type of packet:

- ➔ 0 – DATA packet : the packet contains the data to transmit on the radio link or received from the radio link,
- ➔ 1 – STATUS packet: the packet contains the status of SA, SB, X bits⁽¹⁾ and the break condition coding as follow :

| | | | | | | | |
|----|----|---|-----|----|-------|-------|-------|
| SA | SB | X | BRK | RI | Spare | Spare | Spare |
|----|----|---|-----|----|-------|-------|-------|

- the length of data for the status packet is always equal to 1,
- whenever a status changes (except break), all the status bits are included,
- these bits are off by default (and therefore the bits DTR and RTS), so it is necessary to send a status packet to the target at the beginning of the multiplexing to start the transmission,
- ➔ 2 – READY packet : the packet indicates that the target is ready to receive data :
 - no data are transmitted in this packet (so the length is null),
- ➔ 3 – BUSY packet : the packet indicates that the target is busy and can not receive data :
 - like the ready packet, no data are transmitted,
- ➔ other values : currently, these values are not used (reserved for future enhancement).

The checksum is calculated like the AT command packet checksum (addition of all the transmitted bytes including the header bytes).

19.13.4 Examples

19.13.4.1 AT command and its answer

When there is no encapsulation the AT command transmitted on the serial link is like this (in ASCII and hexadecimal):

¹ These status bits contain the V24 control information :

- SA contains DTR (signal CT108 – from terminal to IWF) and DSR (signal CT107 – from terminal to IWF),
- SB contains RTS (signal CT105 – from terminal to IWF) and DCD (signal CT109 – from IWF to terminal),
- X contains CTS (signal CT106).

For more information, refer to GSM 07.02

AT\r\n ⇔ 0x41 0x54 0x0D 0x0A
 and the answer is like this :
 \r\nOK\r\n ⇔ 0x0D 0x0A 0x4F 0x4B 0x0D 0x0A

With the encapsulation in the serial link, the packet transmitted is (in hexadecimal) :

0xAA 0x04 0xE8 0x41 0x54 0x0D 0x0A 0x42

and the answer is like this :

0xAA 0x06 0xE8 0x0D 0x0A 0x4F 0x4B 0x0D 0x0A 0x60

19.13.4.2 Initialisation and Data packet

When the Multiplexing Mode is activated (+WMUX=1), the product sends 2 Data packets after the establishment of a DATA call (after the CONNECT xxxx message) : 1 READY Packet and 1 STATUS Packet. To set the different signals to the right value, it is necessary to send a STATUS packet to the product.

Here are some examples of STATUS packets :

0xDD 0x01 0x08 0x40 0x26 ⇔ bit RTS is on

to start a data call, all the bits should be on :

0xDD 0x01 0x08 0xC0 0xA6 ⇔ bits DTR and RTS are on

19.13.5 Restriction

The autobauding mode is not available when the Multiplexing Mode is activated : the serial link speed must be set to a fixed rate.

19.14 CPHS Information field

| CPHS Information | | |
|--|------------|-----------|
| Signification | Data field | Bit Field |
| All information | 0 | None |
| CSP service activated and allocated | 1 | 0 |
| SST service activated and allocated | 2 | 1 |
| Mailbox Number service activated and allocated | 3 | 2 |
| Operator Name Shortform service activated and alloc. | 4 | 3 |
| Information Numbers service activated and allocated | 5 | 4 |
| RFU | 6 | 5 |
| RFU | 7 | 6 |
| RFU | 8 | 7 |
| Voice Message Waiting indicator for Line 1 | 9 | 8 |
| Voice Message Waiting indicator for Line 2 | 10 | 9 |
| Data Message Waiting indicator | 11 | 10 |
| Fax Message Waiting indicator | 12 | 11 |
| Call Forward Activated indicator for Line 1 | 13 | 12 |
| Call Forward Activated indicator for Line 2 | 14 | 13 |
| Call Forward Activated indicator for Data | 15 | 14 |
| Call Forward Activated indicator for Fax | 16 | 15 |

| CPHS Information | | |
|---------------------------------|------------|-----------|
| Signification | Data field | Bit Field |
| Reserved | 17 | 16 |
| Reserved | 18 | 17 |
| Reserved | 19 | 18 |
| Reserved | 20 | 19 |
| Line 1 Mailbox Number available | 21 | 20 |
| Line 2 Mailbox Number available | 22 | 21 |
| Data Mailbox Number available | 23 | 22 |
| Fax Mailbox Number available | 24 | 23 |
| EF Mn Updatable | 25 | 24 |

19.15 CSP constants

19.15.1 Service Group : Call Offering

| Service | External value |
|---------------------------------------|----------------|
| Call Forwarding Unconditional | 1 |
| Call Forwarding On User Busy | 2 |
| Call Forwarding on No Reply | 3 |
| Call Forwarding On User Not Reachable | 4 |
| Call Transfer | 5 |

19.15.2 Service Group : Call Restriction

| Service | External value |
|--|----------------|
| Barring of All Outgoing Calls | 9 |
| Barring of Outgoing International Calls | 10 |
| Barring of Outgoing International Calls except those directed to the Home PLMN country | 11 |
| Barring of All Incoming Calls when Roaming Outside the Home PLMN country | 12 |
| BIC roam | 13 |

19.15.3 Service Group : Other Supplementary Services

| Service | External value |
|---------------------|----------------|
| Multi-Party Service | 17 |
| Closed User Group | 18 |
| Advice Of Charge | 19 |
| Preferential CUG | 20 |
| CUG Outgoing Access | 21 |

19.15.4 Service Group : Group Completion

| Service | External value |
|--|----------------|
| Call Hold | 25 |
| Call Waiting | 26 |
| Completion of Call to Busy Subscriber | 27 |
| Restriction of the menus allowing use of user to user signalling | 28 |

19.15.5 Service Group : Teleservices

| Service | External value |
|--|----------------|
| Short Message – Mobile Terminated | 33 |
| Short Message – Mobile Originated | 34 |
| Short Message – Cell Broadcast | 35 |
| Restricts menu options for the ability to set reply path active on outgoing Short Messages | 36 |
| SMS Delivery Confirmation | 37 |
| Restriction of menus for SMS Protocol ID options | 38 |
| Validity Period, restriction of menus for SMS Validity period options | 39 |

19.15.6 Service Group : CPHS Teleservices

| Service | External value |
|------------------------|----------------|
| Alternate Line Service | 41 |

19.15.7 Service Group : CPHS Features

| Service | External value |
|--------------------------------|----------------|
| Reserved : SST in phase 1 CPHS | 49 |

19.15.8 Service Group : Number Identification

| Service | External value |
|--|----------------|
| Calling Line Identification Presentation | 57 |
| Connected Line Identification Restriction | 59 |
| Connected Line Identification Presentation | 60 |
| Malicious Call Indicator | 61 |
| CLI per call mode - default block CLI - menu to send CLI | 63 |
| CLI per call mode - default send CLI - menu to block CLI | 64 |

19.15.9 Service Group : Phase 2+ Services

| Service | External value |
|--|----------------|
| Menus concerned with GPRS functionality | 65 |
| Menus concerned with High Speed Circuit Switched Data functionality | 66 |
| ASCI Voice Group call menus | 67 |
| ASCI Voice Broadcast service menus | 68 |
| Multi Subscriber profile menus | 69 |
| Multiple band : Restriction of menus allowing user to select a particular GSM 900/ 1800 or 1900 band | 70 |

19.15.10 Service Group : Value Added Services

| Service | External value |
|---|----------------|
| Restriction of menu options for manual PLMN selection | 73 |
| Restriction of menu options for Voice Mail or other similar menus | 74 |
| Restriction of menu options for the ability to send Short messages with type Paging | 75 |
| Restriction of menu options for the ability to send Short messages with type Email | 76 |
| Restriction of menu options for Fax calls | 77 |
| Restriction of menu options for Data calls | 78 |
| Restriction of menus allowing the user to change language | 80 |

19.15.11 Service Group : Information Numbers

| Service | External value |
|--|----------------|
| The ME shall only present Information numbers to the user if this field is set to FF | 81 |

Note :

External values not use in this tables are reserved for further used.

20 APPENDIX A (informative)

This chapter gives illustrative examples of the general AT commands used for a communication. The presentation of commands and responses is as close as possible to what a user can see on its test monitor. Blank lines have been intentionally removed.

20.1 Examples with the PIN required

20.1.1 when the ME has to be powered ON.

```
AT+CMEE=1          Enable the report mobile equipment errors
OK
AT+CREG=1          Report registration
OK
AT+CPAS           Query ME Status
+CPAS: 5         (ME is asleep)
OK
AT+CFUN=1         Set ME to full functionality
OK
AT+COPS=0         Ask for automatic operator selection and registration.
+CME ERROR: 11   SIM PIN required.
AT+CPIN=1234      User entered a wrong PIN
+CME ERROR: 16   Incorrect password.
AT+CPIN=0000
OK               PIN Ok
AT+COPS=0         Ask for automatic operator selection and registration.
OK
+CREG:1          Registered on the network
AT+COPS=3,0      Select the long name alphanumeric format.
OK
AT+COPS?         Get the operator name
+COPS: 0,0,"I OMNITEL"
OK
```

20.1.2 When the ME has already been powered on.

```
AT+CMEE=1          Enable the report mobile equipment errors
OK
AT+CPAS           Get the ME Status
+CPAS: 0         ME is ready to receive commands
OK
AT+CPIN?         Is ME requiring a password?
+CPIN: SIM PIN   Yes, SIM PIN required
AT+CPIN=0000
OK               PIN Ok
```

20.2 Examples where a voice call is originated.

20.2.1 When the ME is powered on and the SIM PIN has been entered.

```
AT+CMEE=1          Enable the reporting of mobile equipment errors
  OK
AT+WIND=63         Ask to display the general indications.
  OK
AT+CPIN?          Is ME requiring a password?
+CPIN: READY      product is ready
ATD0607103543;    Make a voice call
+WIND: 5,1        Indication of call
+WIND: 2          Remote party is ringing.
  OK              Call setup was successful
Conversation...
ATH               Release the call
  OK
```

20.2.2 When a voice call is attempted from a phonebook :

```
ATD>"John Pamborn";
+CME ERROR: 22    The "John Pamborn" entry is not found.
ATD>"Joel Guerry";
+WIND: 5,1        Indication of outgoing call.
+WIND: 2          Remote party is ringing.
  OK              Call setup was successful
Conversation...
ATH               Release the call
  OK
```

20.3 Example with incoming calls

20.3.1 When the ME is powered on and the SIM PIN has been entered.

```
AT+CMEE=1          Enable the report mobile equipment errors
  OK
AT+WIND=63         Ask to display the general indications.
  OK
AT+CLIP=1          Enable the calling line identification presentation.
  OK
AT+CRC=1           Enable extended format of incoming indication.
  OK
AT+CNUM            Query own number (voice number) or MSISDN.
+CNUM: "Speech", "+33608971019",145
  OK
Call this number from another equipment.
+WIND: 5, 1        Indication of call (Ring)
+CRING: VOICE      Type of call is VOICE.
+CLIP: "+33607103543",145,,,"John Panborn" Identification of the remote party.
+CRING: VOICE
ATA               Answer the call.
  OK
...Conversation...
NO CARRIER       The call has been released by the remote party.
+WIND: 6,1        Indication of call release.
```

20.4 Example of a call forwarding

20.4.1 When the ME is powered on and the SIM PIN has been entered.

```
AT+CMEE=1           Enable the report mobile equipment errors
  OK
AT+CFCC=1,3,"0607492638" Register to a call forwarding when ME is busy.
  OK
AT+CCFC=2,3,"0149293031",129 Register to a call forwarding when it does answer.
  +CME ERROR: 30      No network service
AT+CCFC=1,2         Interrogate
  +CCFC: 1,1,"+33607492638",145 Call forwarding active for a voice call.
AT+CFCC=1,4         Delete call forwarding ME busy
  OK
```

20.5 Example of a multiparty call

When the ME is powered on and the SIM PIN has been entered.

```
AT+CMEE=1           Enable the report mobile equipment errors
  OK
AT+WIND=63          Ask to display the general indications.
  OK
AT+CCWA=1,1         Enable call waiting.
  OK
ATD>"John Panborn";
  +WIND: 5,1         Indication of call.
  +WIND: 2           Remote party is ringing.
  OK                Call setup was successful
...Conversation (call1)...
  +WIND: 5,2         Indication of another call.
  +CCWA: "+33595984834",145,"Dolores Claiborne" Another call is waiting.
AT+CHLD=2           Put first call on hold and answer the second one.
  OK
...Conversation (call2)...
AT+CHLD=3           Every call is part of a multiparty conversation.
  OK
AT+CHLD=11          Release the first call (with John Panborn) and recover the second call
(with Dolores Claiborne)
...Conversation (call2)...
ATH                Release the second call.
```

20.6 Examples about phonebooks

For each example illustrated in this section: the ME is supposed to have been powered on and the SIM PIN entered.

20.6.1 The whole phonebook of the ME is read

```
AT+CPBS=?           Query supported phonebook memories
  +CPBS: ("SM","FD","ON") ADN, FDN, and MSISDN phonebooks supported.
AT+CPBS="SM"        Select ADN phonebook.
  OK
AT+CPBR=?           Read the index range and the length of the elements.
  +CPBR: (1-80),20,14 80 locations (from 1 to 80), max length of 20 for the phone
number, 14 characters max for the text.
```

AT+CPBR=1,80 *Read all entries (only the ones set are returned).*
+CPBR: 1,"0346572834",129,"Dolores Claiborne"
+CPBR: 2,"1284374523",129,"Thad Beaumont"
+CPBR: 3, "1243657845",129,"John Panborn"
OK

20.6.2 Erase or Write a phonebook entry

AT+CPBW=? *Get the phonebook type.*
+CPBW: (1-80),20,(129,145),14 *80 locations, max length of 20 for the phone number, TON/NPI of 129 or 145 and 14 characters max for the text.*

AT+CPBW=3 *Erase location 3*
OK

AT+CPBW=3,"4356729012",129,"Carry" *Write at location 3.*
OK

AT+CPBR=1,80 *Read all entries (only the ones set are returned).*
+CPBR: 1,"0346572834",129,"Dolores Claiborne"
+CPBR: 2,"1284374523",129,"Thad Beaumont"
+CPBR: 3,"4356729012",129,"Carry"
OK

20.6.3 Find phonebook entries

AT+CPBF=? *Get the phonebook type.*
+CPBF: 20,14 *Max length of 20 for the phone number, 10 characters for the text.*

AT+CPBF="D" *Read entries starting with "D".*
+CPBF: 1,"0346572834",129,"Dolores Clairborne"
OK

AT+CPBF="W" *Read entries with "W".*
+CME ERROR: 22 *Entry not found.*

20.6.4 Phonebook and custom character set

AT+CPBS? *Query the current phonebook*
+CPBS: 3,80 *ADN selected, 3 entries stored*
OK

AT+WPCS? *Query the current phonebook charset*
+WPCS: "TRANSPARENT" *Transparent mode selected*
OK

AT+CPBR=1 *GSM character "é" is not displayed*
+CPBR: 1,"0146290800",129,"S bastien"
OK

AT+WCCS=1,0,0,255
>2020202020202020200A20200D202020202020205F20202020202020202021
22230225262728292A2B2C2D2E2F303132333435363738393A3B3C3D3E3F00414243
4445464748494A4B4C4D4E4F505152535455565758595A2020202011206162636465
666768696A6B6C6D6E6F707172737475767778797A20202020202020202020
2020202020202020202727202020202020202020202020204020012403205F20202
020202D202020202020272020202020202020202060414141415B0E1C09451F454549
494949445D4F4F4F4F5C200B55555555E59201E7F6161617B0F1D63040565650769696
9207D086F6F6F7C200C0675757E792079
OK

AT+WCCS=1,1,0,127
>40A324A5E8E9F9ECF2C70AD8F80DC5E5205F202020202020202020C6E6DFC9202
12223A425262728292A2B2C2D2E2F303132333435363738393A3B3C3D3E3FA141424
34445464748494A4B4C4D4E4F505152535455565758595AC4D6D1DCA7BF61626364
65666768696A6B6C6D6E6F707172737475767778797AE4F6F1FCE0
OK *Set the custom character set tables to enable a GSM to default font conversion*

AT+WPCS="CUSTOM" *Use the custom character set*


```

OK
AT+CPBR=1
+CPBR: 1,"0146290800",129,"Sébastien"    GSM character "é" is correctly displayed
OK
  
```

20.7 Examples about short messages

20.7.1 Send a short message

```

AT+CNMI=0,1,1,1,0    SMS-DELIVERs are directly stored, SMS-STATUS- REPORTs are
                      displayed
OK
AT+CSMP=17,169,0,0    SMS-SUBMIT message with a validity period (one day)
OK
AT+CMGF=1    " "    Text mode to send a Short Message
OK
AT+CSCA="+33608080706"    Set Service Center Address to +33608080706
OK
AT+CMGS=0601290800    Send a SMS-SUBMIT to mobile phone
                      Product sends a 4 characters sequence: 0x0D 0x0A 0x3E 0x20
This is the first text line    Edit first line and press carriage return (<CR>, 0x0D)
This is the last text line    Edit last line and send message by pressing <ctrl-Z> (0x1A)
+CMGS: 5    Success: message reference 5 is returned from the SMS Service
                      Center
+CDS: 2,5,"0601290800",129,"99/05/01 14:15:10+04
" " " "    Success: report of successful message
                      delivery received
  
```

20.7.2 Read short messages

```

AT+CMGF=1    Text mode to read Short Messages
AT+CMGL="ALL"    List all stored messages
+CMGL: 1,"REC READ","+336290918",,"99/05/01 14:15:10+04"
I will be late    This is the first message
+CMGL: 2,"REC UNREAD","+336290918",,"99/05/01 14:19:44+04"
Traffic jam on Broadway    This is the second message
OK
AT+CMGR=1    " "    Read the first message
+CMGR: "REC READ","+336290918",,"99/05/01 14:19:44+04"
OK
  
```

20.8 Examples about Fax class 2

The normal characters are DTE generated. The bold characters are modem generated.

20.8.1 Send a fax class 2

```

AT+FCLASS=2    Select fax class 2
OK
AT+FLID="LocalFax"
OK
ATD0601234567    Call establishment
+FCO    Connection OK
[+FCSI:"RemoteFax"]
+FDIS:0,3,0,2,0,0,0
  
```

```
OK
AT+FDT                               Beginning of the data transfer
+FDCS:0,3,0,2,0,0,0,0
CONNECT
<0x11h>                               Send carrier
First page data terminated by <0x10h><0x03h>
OK                                     Page transmitted
AT+FET=0                               Send another page
+FPTS:1                               First page acquitted
OK
AT+FDT
CONNECT
<0x11h>                               Send carrier
Second page data terminated by <0x10h><0x03h>
OK                                     Page transmitted
AT+FET=2                               No more page
+FPTS:1                               First page acknowledged
+FHNG:0                               Normal end of connection
OK
```

20.8.2 Receive a fax class 2

```
AT+FCR=1
OK
AT+FLID="LocalFax"
OK
RING                                  Incoming call
ATA                                   Answer
+FCON                               Connection OK
[+FTSI:"RemoteFax"]
+FDCS:0,3,0,2,0,0,0,0
OK
AT+FDR
+FCFR
+FDCS:0,3,0,2,0,0,0,0
CONNECT
<0x12h>                               Receive page carrier
First page data terminated by
<0x10h><0x03h>
OK                                     Page received
+FPTS:1                               First page acknowledged
+FET:0                               To receive another page
OK
AT+FDR
+FDCS:0,3,0,2,0,0,0,0
CONNECT
<0x12h>                               Receive page carrier
Second page data terminated by
<0x10h><0x03h>
OK                                     Page received
+FPTS:1                               Second page acknowledged
+FET:2                               No more page to receive
OK
AT+FDR
+FHNG:0                               Normal end of connection
OK
```

21 APPENDIX B: Support of SIM ToolKit by The M.E.

TABLE 1 – Support of SIM Toolkit classes

This has been extracted from the GSM Technical specification 11.14.

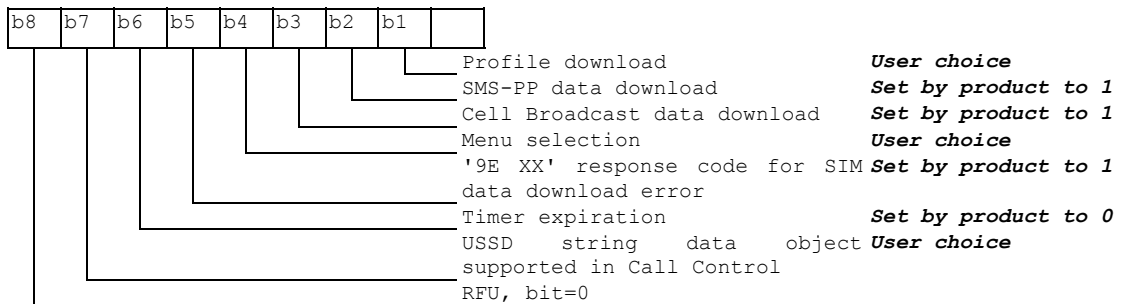
| Command description | Classes | | |
|--|---------|---|----|
| | 1 | 2 | 3 |
| CALL CONTROL | | X | X |
| CELL BROADCAST DOWNLOAD | | X | X |
| DISPLAY TEXT | | X | X |
| EVENT DOWNLOAD | | | |
| - MT call | | | X |
| - Call connected | | | X |
| - Call disconnected | | | X |
| - Location status | | | X |
| - User activity | | | X |
| - Idle screen available | | | X |
| GET INKEY | | X | X |
| GET INPUT | | X | X |
| GET READER STATUS \$(MultipleCard)\$ | | | Lc |
| MENU SELECTION | | X | X |
| MO SHORT MESSAGE CONTROL | | | X |
| MORE TIME | | X | X |
| PERFORM CARD APDU \$(MultipleCard)\$ | | | Lc |
| PLAY TONE | | X | X |
| POLLING OFF | | X | X |
| POLL INTERVAL | | X | X |
| POWER ON CARD \$(MultipleCard)\$ | | | Lc |
| POWER OFF CARD \$(MultipleCard)\$ | | | Lc |
| PROVIDE LOCAL INFORMATION | | X | X |
| REFRESH | X | X | X |
| RUN AT COMMAND \$(AT\$) | | | Lc |
| SELECT ITEM | | X | X |
| SEND SHORT MESSAGE | | X | X |
| SEND SS | | X | X |
| SEND USSD | | | X |
| SET UP CALL | | X | X |
| SET UP EVENT LIST | | | X |
| SET UP IDLE MODE TEXT \$(IdleModeText)\$ | | | X |
| SET UP MENU | | X | X |
| SMS-PP DOWNLOAD | X | X | X |
| TIMER MANAGEMENT \$(Timer)\$ | | | Lc |
| TIMER EXPIRATION \$(Timer)\$ | | | Lc |

TABLE 2 - Compatibility between available Terminal Responses and Proactive Commands

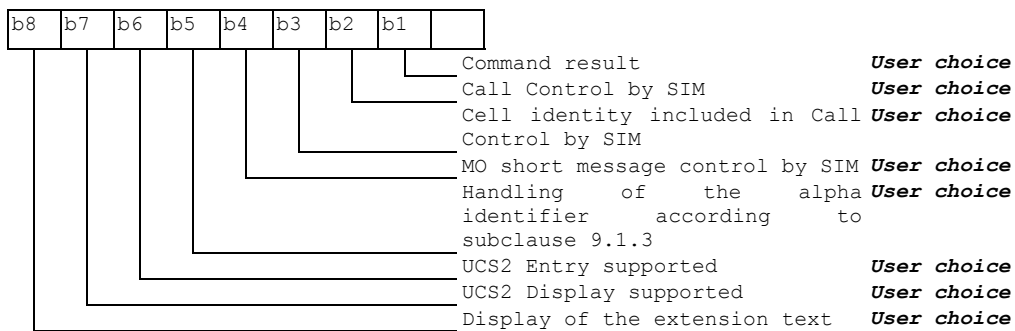
| Terminal Responses | Proactive commands | | | | | | | | | | | |
|---|--------------------|-----------------|---------------|---------------|----------------|---------------|-----------------|-------------|-------------|--------------|----------------|-----------------------|
| | Setup Menu (0) | Display Text(1) | Get Inkey (2) | Get Input (3) | Setup Call (4) | Play Tone (5) | Select Item (6) | Refresh (7) | Send SS (8) | Send SMS (9) | Send USSD (10) | Setup event list (11) |
| Backward Move (95) | | • | • | • | | | • | | | | | |
| Command beyond ME capabilities (96) | • | • | • | • | • | • | • | • | • | • | • | • |
| ME currently unable to process command (97) | • | • | • | • | • | • | • | • | • | • | • | • |
| No response from the user (98) | | • | • | • | | | • | | | | | |
| SIM session terminated by the user (99) | | • | • | • | • | • | • | | | | | |

22 APPENDIX C: Structure of TERMINAL PROFILE

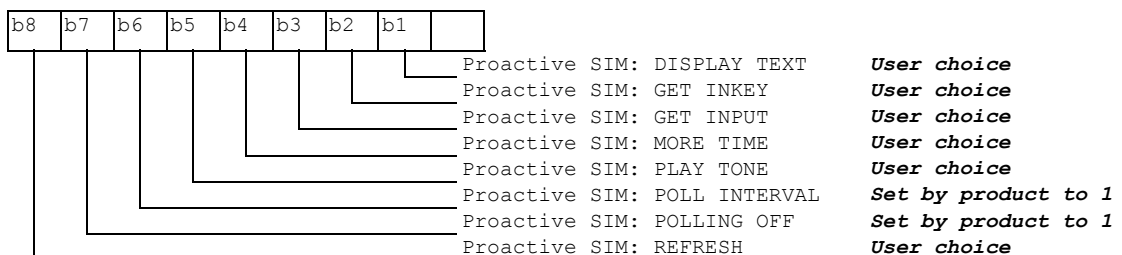
First byte (Download):



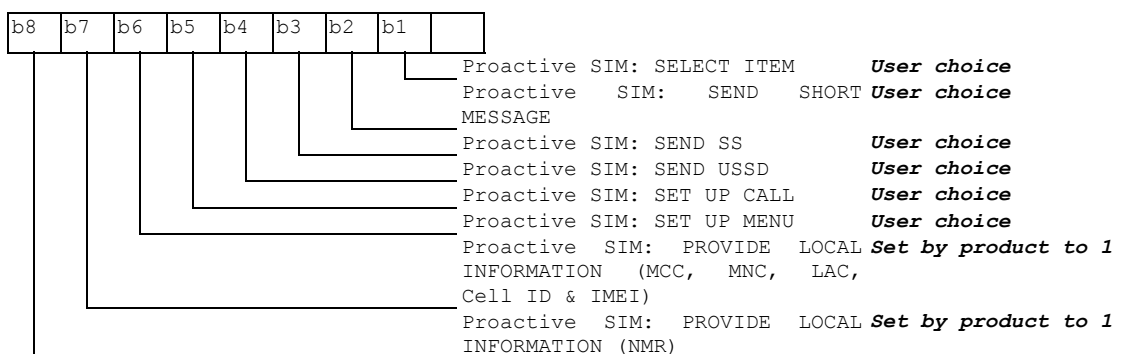
Second byte (Other):



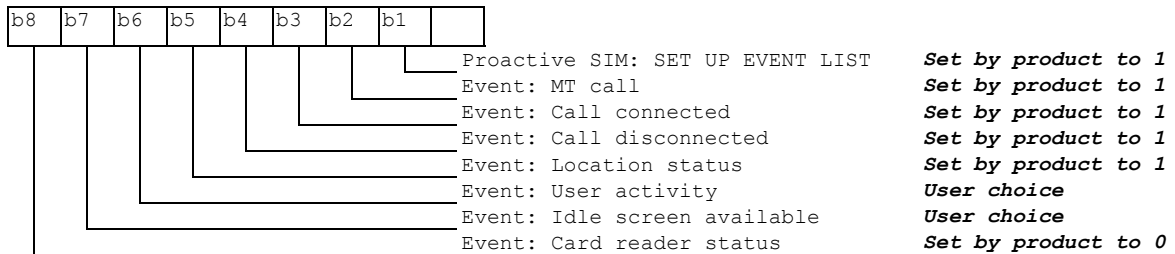
Third byte (Proactive SIM):



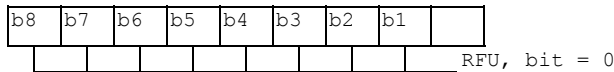
Fourth byte (Proactive SIM):



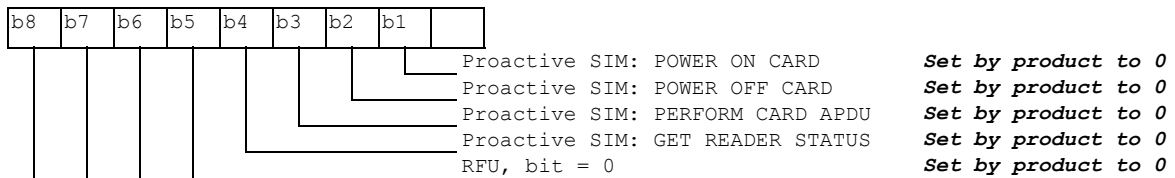
Fifth byte (Event driven information):



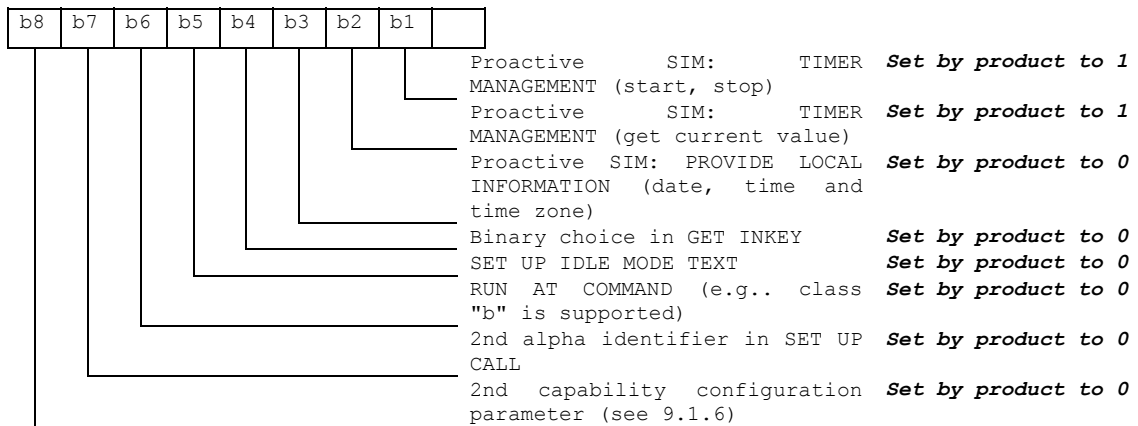
Sixth byte: (reserved for Event driven information extensions)



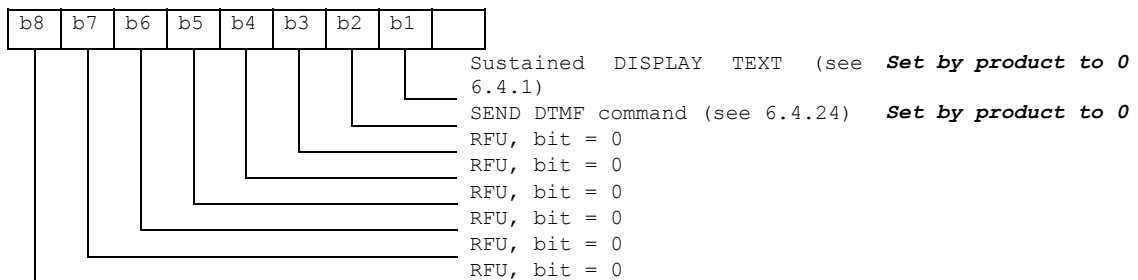
Seventh byte (Multiple card proactive commands) for class "a"



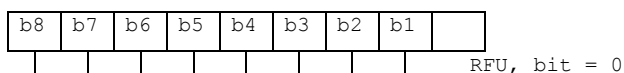
Eighth byte (Proactive SIM):



Ninth byte:



Subsequent bytes:



23 APPENDIX D: Command Type and Next Action Indicator.

This table has been extracted from the GSM Technical specification 11.14.

| Value | Name | Used for Type of Command coding | used for Next Action Indicator coding |
|-------|------------------------------|---------------------------------|---------------------------------------|
| '00' | | - | - |
| '01' | REFRESH | X | |
| '02' | MORE TIME | X | |
| '03' | POLL INTERVAL | X | |
| '04' | POLLING OFF | X | |
| '05' | SET UP EVENT LIST | X | |
| '10' | SET UP CALL | X | X |
| '11' | SEND SS | X | X |
| '12' | SEND USSD | X | X |
| '13' | SEND SHORT MESSAGE | X | X |
| '14' | SEND DTMF | X | |
| '20' | PLAY TONE | X | X |
| '21' | DISPLAY TEXT | X | X |
| '22' | GET INKEY | X | X |
| '23' | GET INPUT | X | X |
| '24' | SELECT ITEM | X | X |
| '25' | SET UP MENU | X | X |
| '26' | PROVIDE LOCAL INFORMATION | X | |
| '27' | TIMER MANAGEMENT | X | |
| '28' | SET UP IDLE MODEL TEXT | X | X |
| '30' | PERFORM CARD APDU | class "a" only | X |
| '31' | POWER ON CARD | class "a" only | X |
| '32' | POWER OFF CARD | class "a" only | X |
| '33' | GET READER STATUS | class "a" only | X |
| '34' | RUN AT COMMAND | class "b" only | X |
| '81' | End of the proactive session | not applicable | X |

24 APPENDIX E: Coding of Alpha fields in the SIM for UCS2

The coding can take one of the three following structures, or GSM default alphabet. If the ME supports UCS2 coding of alpha fields in the SIM, it will support all three coding schemes for character sets containing 128 characters or less. For character sets containing more than 128 characters, the ME will at least support the first coding scheme. Within a record, only one coding scheme, either GSM default alphabet, or one of the three described below, can be used.

- 1) If the **first byte in the alpha string is '0x80'**, then the other bytes are 16 bit UCS2 characters. The most significant byte (MSB) of the UCS2 character is coded in the lower numbered byte of the alpha field, and the less significant byte (LSB) of the UCS2 character is coded in the higher numbered alpha field byte. In other words, byte 2 of the alpha field contains the most significant byte (MSB) of the first UCS2 character, and byte 3 of the alpha field contains the less significant byte (LSB) of the first UCS2 character (as shown below). Unused bytes shall be set to 'FF' : if the alpha field has an even length in bytes, the last (unusable) byte will be set to 'FF'.

Example 1

| Byte 1 | Byte 2 | Byte 3 | Byte 4 | Byte 5 | Byte 6 | Byte 7 | Byte 8 | Byte 9 |
|--------|--------------------|--------------------|--------------------|--------------------|--------------------|--------------------|--------|--------|
| '80' | Ch1 _{MSB} | Ch1 _{LSB} | Ch2 _{MSB} | Ch2 _{LSB} | Ch3 _{MSB} | Ch3 _{LSB} | 'FF' | 'FF' |

- 2) If the **first byte of the alpha string is '0x81'**, then the 2nd byte contains a value indicating the number of characters in the string. The 3rd byte contains an 8 bit number which defines bits 15 to 8 of a 16 bit base pointer, where bit 16, and bits 7 to 1 would be set to zero. These sixteen bits represent a base pointer to a "half-page" in the UCS2 code space, to be used with some or all of the remaining bytes in the string. The 4th and subsequent bytes in the string contain codings as follows :
 - if bit 8 of the byte is set to zero, the remaining bits of the byte contain a GSM Default Alphabet character
 - if bit 8 of the byte is set to one, the remaining bits are an offset value to add to the 16 bit base pointer defined by byte 3, and the resulting 16 bit value is a UCS2 code point, and defines a UCS2 character.

Example 2

| Byte 1 | Byte 2 | Byte 3 | Byte 4 | Byte 5 | Byte 6 | Byte 7 | Byte 8 | Byte 9 |
|--------|--------|--------|--------|--------|--------|--------|--------|--------|
| '81' | '05' | '13' | '53' | '95' | 'A6' | '28' | 'FF' | 'FF' |

In the example above;

- Byte 2 indicates there are 5 characters in the string
- Byte 3 indicates bits 15 to 8 of the base pointer, and indicates a bit pattern of 0hhh hhhh h000 0000 as the 16 bit base pointer number. Bengali characters for example start at code position 0980 (0000 1001 1000 0000), which is indicated by the coding '13' in byte 3 (shown by the italicised underlined digits).
- Byte 4 indicates GSM Default Alphabet character '53', e.g.. "S".

- Byte 5 indicates a UCS2 character offset to the base pointer of '15', expressed in binary as follows 001 0101, which, when added to the base pointer value results in a sixteen bit value of 0000 1001 1001 0101, e.g.. '0995', which is the Bengali letter KA.
 - Byte 8 contains the value 'FF' : as the string length is 5, this a valid character in the string, where the bit pattern 111 1111 is added to the base pointer, yielding to a sixteen bit value of 0000 1001 1111 1111 for the UCS2 character (that is '09FF').
 - Byte 9 contains the padding value 0xFF.
- 3) **If the first byte of the alpha string is set to '0x82'**, then the 2nd byte contains the length of the string (number of characters).
 The 3rd and 4th bytes contain a 16 bit number which defines the complete 16 bit base pointer to a "half-page" in the UCS2 code space, for use with some or all of the remaining bytes in the string.
 The 5th and subsequent bytes in the string contain coding as follows :
- if bit 8 of the byte is set to zero, the remaining seven bits of the byte contain a GSM Default Alphabet character,
 - if bit 8 of the byte is set to one, the remaining seven bits are an offset value added to the base pointer defined in bytes 3 and 4, and the resulting 16 bit value is a UCS2 code point, and defines a UCS2 character.

Example 3

| Byte 1 | Byte 2 | Byte 3 | Byte 4 | Byte 5 | Byte 6 | Byte 7 | Byte 8 | Byte 9 |
|--------|--------|--------|--------|--------|--------|--------|--------|--------|
| '82' | '05' | '05' | '30' | '2D' | '82' | 'D3' | '2D' | '31' |

In the example above :

- Byte 2 indicates there are 5 characters in the string
- Bytes 3 and 4 contain a 16 bit base pointer number of '0530', pointing to the first character of the Armenian character set.
- Byte 5 contains a GSM Default Alphabet character of '2D', which is a dash "-".
- Byte 6 contains a value '82', which indicates it is an offset of '02' added to the base pointer, resulting in a UCS2 character code of '0532', which represents Armenian character Capital BEN.
- Byte 7 contains a value 'D3', an offset of '53', which when added to the base pointer results in a UCS2 code point of '0583', representing Armenian Character small PIWR.

25 APPENDIX F: Specification of Power Down Control via RS232

This appendix describes how to activate and deactivate the power down mode of the product via the RS232 serial link. Refer to +W32K to activate or deactivate the power down mode.

In this document, the term "DTE" refers to the customer device driving the product, which is referred to as the "DCE".

The terms referring to the RS232 signals and levels are used according to the V.24 and V.28 recommendations. Here are some points to remind :

- DTR is the circuit 108/2,
- TX is the circuit 103,
- RX is the circuit 102,
- CTS is the circuit 106.
- The logical level "HIGH or ON" corresponds to the electrical level of +12 V, and the level "LOW or OFF" corresponds to -12 V.
- The activation and deactivation are always initiated from the DTE and is carried out through the handshaking of DTR and CTS.

The power down mode can be triggered only when the DCE is idle, that means when there is no connection to the network in progress.

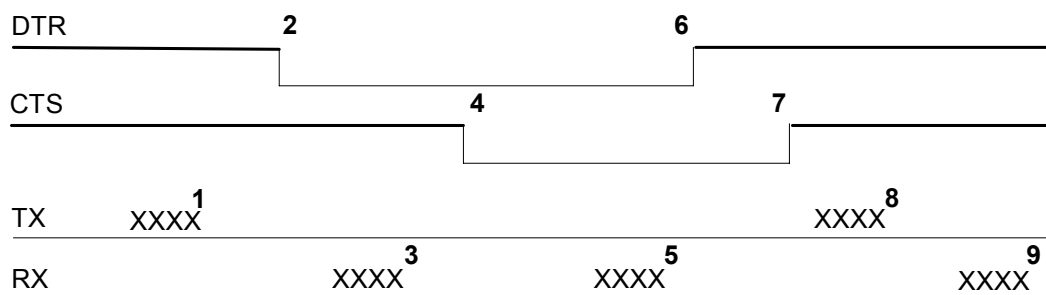
When the DTE requests the DCE to enter the power down mode, it (DTE) drops (ON-to-OFF transition) DTR. From this time on, it (DTE) **must not send** any more characters on the TX line : the TX FIFO must be empty.

The DCE acknowledges its entry in the power down mode by dropping CTS, within a time interval of 5s. after the DTR drop. During that period the DTE is prohibited from sending any more AT commands.

AT responses can be sent to the DTE even if the DCE is in power down mode : for this, it (DCE) suspends its power down mode, sends the requested AT response and recovers the power down mode. Therefore the DTE can trigger DCE power down mode without having to take care of any AT responses

The DCE exits the power down mode by raising the DTR. DCE is not ready to receive further AT commands until it raises in turn CTS, within a time interval of 2s. after the DTR raise.

Here below is a diagram depicting the handshaking:



Description of the steps:

1: the DTE sends an AT command

2: the DTE drops DTR to make the DCE enter the power down mode. Warning: this mode will not really enter until CTS is dropped (step 4). The DTE could also have dropped DTR after having received the AT response (step 3).

3: the DCE sends back the AT response (if any)

4: the DCE drops CTS : it enters the power down mode.

5: the DCE sends back an unsolicited response (for instance a RING or +SMTI (incoming SMS indication))

6: the DTE wants to reply to that unsolicited response so it raises the DTR, causing the DCE to exit the power down mode.

7: the DCE acknowledges the exit of the power down mode by raising CTS.

8) & 9) exchange of AT commands/responses.

Note 1): The DTE must not send any AT commands from steps 2 to 7.

Note 2): During the latency period (between steps 2 and 4) should the DTE want to abort the power down mode, it raises DTR and should wait for 150 μ s before assessing CTS. If CTS is still high than the DCE has aborted the power down mode and is ready to receive AT commands. The 150 μ s wait should get around the race condition between DTR raise and CTS drop.

26 APPENDIX G : Conditions for command execution and dependence to SIM

These arrays list all the AT command. For each, a column indicates the command execution condition (if +WIND:4 must have occurred OK, for example). SIM dependency column indicates if the command behaviour will vary if another card is used (for example, it will be the case for phonebook reading commands). The Intermediate column indicates if intermediate responses can occur for the considered command.

26.1 General commands

| AT commands | Conditions | SIM dependence | Intermediate |
|-------------|--|--------------------------|--------------|
| AT+CGMI | None | N | N |
| AT+CGMM | None | N | N |
| AT+CGMR | None | N | N |
| AT+CGSN | None | N | N |
| AT+CSCS | +WIND: 4 | N | N |
| AT+WPCS | +WIND: 4 | N | N |
| AT+CIMI | +WIND: 4 | Y | N |
| AT+CCID | +WIND: 1 | Y | N |
| AT+GCAP | None | N | N |
| A/ | Depends on previous command | Depends on prev. command | N |
| AT+CPOF | +WIND: 3 without SIM, +WIND: 1 with SIM | N | N |
| AT+CFUN | None | N | N |
| AT+CPAS | None | N | N |
| AT+CMEE | None | N | N |
| AT+CKPD | Depends of the sequence used | Y/N | N |
| AT+CCLK | +WIND: 4 | Y | N |
| AT+CALA | None | N | Y |
| AT+CRMP | None | N | N |
| AT+CRSL | None | N | N |

26.2 Call Control commands

| AT commands | Conditions | SIM dependence | Intermediate |
|-------------|--------------------------|----------------|--------------|
| ATD | Depends of sequence used | Y/N | Y |
| ATH | None | N | N |
| ATA | None | N | N |
| AT+CEER | +WIND: 4 | Y | N |
| AT+VTD | None | N | N |
| AT+VTS | None | N | N |
| ATDL | None | N | Y |
| AT%D | None | N | N |
| ATSO | None | N | N |
| AT+CICB | None | N | N |
| AT+CSNS | None | N | N |
| AT+VGR | None | N | N |

| AT commands | Conditions | SIM dependence | Intermediate |
|-------------|------------|----------------|--------------|
| AT+VGT | None | N | N |
| AT+CMUT | None | N | N |
| AT+SPEAKER | None | N | N |
| AT+ECHO | None | N | N |
| AT+SIDET | None | N | N |
| AT+VIP | None | N | N |

26.3 Network service commands

| AT commands | Conditions | SIM dependence | Intermediate |
|-------------|------------|----------------|--------------|
| AT+CSQ | None | N | N |
| AT+COPS | +WIND: 4 | Y | N |
| AT+CREG | None | N | Y |
| AT+WOPN | None | N | N |
| AT+CPLS | PIN | Y | N |
| AT+CPOL | +WIND: 7 | Y | Y |
| AT+COPN | +WIND: 1 | N | N |

26.4 Security commands

| AT commands | Conditions | SIM dependence | Intermediate |
|-------------|-------------------|----------------|--------------|
| AT+CPIN | +WIND: 1 | Y | N |
| AT+CPIN2 | after PIN entered | Y | N |
| AT+CPINC | +WIND: 1 | Y | N |
| AT+CLCK | +WIND: 4 | Y | N |
| AT+CPWD | +WIND: 4 | Y | N |

26.5 Phonebook commands

| AT commands | Conditions | SIM dependence | Intermediate |
|-------------|------------|----------------|--------------|
| AT+CPBS | +WIND: 4 | Y | N |
| AT+CPBR | +WIND: 4 | Y | Y |
| AT+CPBF | +WIND : 4 | Y | Y |
| AT+CPBW | +WIND: 4 | Y | N |
| AT+CPBP | +WIND : 4 | Y | Y |
| AT+CPBN | +WIND: 4 | Y | Y |
| AT+CNUM | +WIND: 4 | Y | N |
| AT+WAIP | None | N | N |
| AT+WDCP | +WIND: 4 | Y | N |
| AT+CSVM | +WIND: 4 | N | N |

26.6 Short Messages commands

| AT commands | Conditions | SIM dependence | Intermediate |
|-------------|------------|----------------|--------------|
| AT+CSMS | +WIND: 4 | Y | N |
| AT+CNMA | +WIND: 4 | Y | N |
| AT+CPMS | +WIND: 4 | Y | N |
| AT+CMGF | +WIND: 4 | Y | N |
| AT+CSAS | | Y | N |
| AT+CRES | | Y | N |
| AT+CSDH | +WIND: 4 | Y | N |
| AT+CNMI | +WIND: 4 | Y | N |
| AT+CMGR | +WIND : 4 | Y | Y |
| AT+CMGL | +WIND: 4 | Y | Y |
| AT+CMGS | +WIND: 4 | Y | N |
| AT+CMGW | +WIND: 4 | Y | Y |
| AT+CMSS | +WIND: 4 | Y | N |
| AT+CSMP | +WIND: 4 | Y | N |
| AT+CMGD | +WIND: 4 | Y | N |
| AT+CSCA | | Y | N |
| AT+CSCB | +WIND: 4 | Y | N |
| AT+WCBM | +WIND: 4 | Y | N |
| AT+WMSC | +WIND : 4 | Y | Y |
| AT+WMGO | +WIND: 4 | Y | N |
| AT+WUSS | None | N | N |

26.7 Supplementary Services commands

| AT commands | Conditions | SIM dependence | Intermediate |
|-------------|------------|----------------|--------------|
| AT+CCFC | +WIND: 4 | Y | N |
| AT+CLCK | +WIND: 4 | Y | N |
| AT+CPWD | +WIND: 4 | Y | N |
| AT+CCWA | +WIND: 4 | Y | N |
| AT+CLIR | +WIND: 4 | Y | N |
| AT+CLIP | +WIND: 4 | Y | N |
| AT+COLP | +WIND: 4 | Y | N |
| AT+CAOC | +WIND: 4 | Y | Y |
| AT+CACM | +WIND: 4 | Y | N |
| AT+CAMM | +WIND: 4 | Y | N |
| AT+CPUC | +WIND: 4 | Y | N |
| AT+CHLD | +WIND: 4 | Y | N |
| AT+CLCC | None | N | N |
| AT+CSSN | None | N | N |
| AT+CUSD | None | N | N |
| AT+CCUG | +WIND : 4 | Y | Y |

26.8 Data commands

| AT commands | Conditions | SIM dependence | Intermediate |
|-------------|------------|----------------|--------------|
| AT+CBST | None | N | N |
| AT+FCLASS | None | N | N |
| AT+CR | None | N | N |
| AT+CRC | None | N | N |
| AT+ILRR | +WIND: 4 | N | N |
| AT+CRLP | None | N | N |

| AT commands | Conditions | SIM dependence | Intermediate |
|-------------|------------|----------------|--------------|
| AT+DOPT | None | N | N |
| AT%C | None | N | N |
| AT+DS | None | N | N |
| AT+DR | None | N | N |
| \N | None | N | N |

26.9 Fax commands

| AT commands | Conditions | SIM dependence | Intermediate |
|-------------|------------|----------------|--------------|
| AT+FTM | None | N | N |
| AT+FRM | None | N | N |
| AT+FTH | None | N | N |
| AT+FRH | None | N | N |
| AT+FTS | None | N | N |
| AT+FRS | None | N | N |

26.10 Class 2 Commands

| AT commands | Conditions | SIM dependence | Intermediate |
|-------------|------------|----------------|--------------|
| AT+FDT | None | N | N |
| AT+FDR | None | N | N |
| AT+FET | None | N | N |
| AT+FPTS | None | N | N |
| AT+FK | None | N | N |
| AT+FBOR | None | N | N |
| AT+FBUF | None | N | N |
| AT+FCQ | None | N | N |
| AT+FCR | None | N | N |
| AT+FDIS | None | N | N |
| AT+FDCC | None | N | N |
| AT+FLID | None | N | N |
| AT+FPHCTO | None | N | N |

26.11 V24-V25 commands

| AT commands | Conditions | SIM dependence | Intermediate |
|-------------|------------|----------------|--------------|
| AT+IPR | None | N | N |
| AT+ICF | None | N | N |
| AT+IFC | None | N | N |
| AT&C | None | N | N |
| AT&D | None | N | N |
| AT&S | None | N | N |
| ATO | +WIND: 4 | N | N |
| ATQ | None | N | N |
| ATV | None | N | N |
| ATZ | None | N | N |
| AT&W | None | N | N |
| AT&T | None | N | N |
| ATE | None | N | N |

| AT commands | Conditions | SIM dependence | Intermediate |
|-------------|------------|----------------|--------------|
| AT&F | None | N | N |
| AT&V | None | N | N |
| ATI | None | N | N |
| AT+WMUX | None | N | N |

26.12 Specific AT commands

| AT commands | Conditions | SIM dependence | Intermediate |
|-------------|-------------------------|--------------------|--------------|
| AT+CCED | None | N | N |
| AT+WIND | None | N | N |
| AT+ADC | None | N | N |
| AT+CMER | None | N | N |
| AT+CIND | None | N | N |
| AT+CMEC | None | N | N |
| AT+WLPR | +WIND: 1 | N | N |
| AT+WLPW | +WIND: 1 | N | N |
| AT+WIOR | None | N | N |
| AT+WIOW | None | N | N |
| AT+WIOM | None | N | N |
| AT+WAC | None | N | N |
| AT+WTONE | None | N | N |
| AT+WDTMF | None | N | N |
| AT+WDWL | None | N | N |
| AT+WVR | None | N | N |
| AT+WDR | None | N | N |
| AT+WHWV | None | N | N |
| AT+WDOP | None | N | N |
| AT+WSVG | None | N | N |
| AT+WSTR | None | N | N |
| AT+WSCAN | None | N | N |
| AT+WRIM | None | N | N |
| AT+W32K | None | N | N |
| AT+WCDM | None | N | N |
| AT+WSSW | None | N | N |
| AT+WCCS | +WIND: 4 | N | N |
| AT+WLCK | None (PIN for auto CNL) | N (Y for auto CNL) | N |
| AT+CPHS | +WIND: 4 | Y | N |
| AT+WBCM | None | N | N |
| AT+WFM | None | N | N |
| AT+WCFM | None | N | N |
| AT+WMIR | None | N | N |
| AT+WCDP | None | N | N |
| AT+WMBN | PIN | Y | N |
| AT+WALS | +WIND:4 | Y | N |
| AT+WOPEN | None | N | N |
| AT+WRST | None | N | N |
| AT+WSST | None | N | N |
| AT+WLOC | PIN Code | Y | N |
| AT+WBR | None | N | N |
| AT+WBW | None | N | N |

| AT commands | Conditions | SIM dependence | Intermediate |
|-------------|------------|----------------|--------------|
| AT+WBM | None | N | N |
| AT+WATH | None | N | N |
| AT+WIMEI | None | N | N |
| AT+WSVN | None | N | N |
| AT+WMBS | None | N | N |

26.13 SIM Toolkit commands

| AT commands | Conditions | SIM dependence | Intermediate |
|-------------|------------|----------------|--------------|
| AT+STSF | None | N | N |
| AT+STIN | +WIND: 4 | Y | N |
| AT+STGI | +WIND: 4 | Y | N |
| AT+STGR | +WIND: 4 | Y | N |

26.14 GPRS commands

| AT commands | Conditions | SIM dependence | Intermediate |
|-------------|------------|----------------|--------------|
| AT+CGDCONT | +WIND:4 | | |
| AT+CGQREQ | +WIND:4 | | |
| AT+CGQMIN | +WIND:4 | | |
| AT+CGATT | +WIND:4 | | |
| AT+CGACT | +WIND:4 | | |
| AT+CGDATA | +WIND:4 | | |
| AT+CGCLASS | +WIND:4 | | |
| AT+CGSMS | +WIND:4 | | |
| AT+CGREP | +WIND:4 | | |
| AT+CGREG | +WIND:4 | | |
| AT+CGAUTO | +WIND:4 | | |
| AT+CGANS | +WIND:4 | | |
| AT+CGADDR | +WIND:4 | | |
| AT+WGPRS | +WIND:4 | | |

27 AT Commands Alphabetical Index

| AT commands | Type of Command | Paragraph Nb |
|-------------|---------------------------------------|---|
| \N | Data | 11.12 |
| +CIEV | Specific | 15.5 |
| +CKEV | Specific | 15.5 |
| +FCFR | Class 2 | 13.14 |
| +FCON | Class 2 | 13.14 |
| +FCSI | Class 2 | 13.14 |
| +FDCS | Class 2 | 13.14 |
| +FDIS | Class 2 | 13.10 , 13.14 |
| +FET | Class 2 | 13.3 , 13.14 |
| +FHNG | Class 2 | 13.14 |
| +FPTS | Class 2 | 13.4 , 13.14 |
| +FTSI | Class 2 | 13.14 |
| +STCR | SIM toolkit (unsolicited.response) | 16.3.4 |
| +WBCI | Specific | 15.37 |
| +WCPI | Specific | 15.34 |
| +WCSP | Specific | 15.35 |
| +WDCI | Specific | 15.32 |
| +WNON | Specific | 15.33 |
| +WVMI | Specific | 15.31 |
| A/ | General | 4.10 |
| AT%C | Data | 11.9 |
| AT%D | Call Control | 5.8 |
| AT&C | V24-V25 | 14.4 |
| AT&D | V24-V25 | 14.5 |
| AT&F | V24-V25 | 14.14 |
| AT&S | V24-V25 | 14.6 |
| AT&T | V24-V25 | 14.12 |
| AT&V | V24-V25 | 14.15 |
| AT&W | V24-V25 | 14.11 |
| AT+ADC | Specific | 15.4 |
| AT+CACM | Supplementary services | 10.9 |
| AT+CALA | General | 4.17 |
| AT+CAMM | Supplementary services | 10.10 |
| AT+CAOC | Supplementary services | 10.8 |
| AT+CBST | Data | 11.2 |
| AT+CCED | Specific | 15.1 , 15.2 |
| AT+CCFC | Supplementary services | 10.1 |
| AT+CCID | General | 4.8 |
| AT+CCLK | General | 4.16 |

| AT commands | Type of Command | Paragraph Nb |
|-------------|-------------------------------------|--|
| AT+CCUG | Supplementary services | 10.16 |
| AT+CCWA | Supplementary services | 10.4 |
| AT+CEER | Call Control, GPRS | 5.5, 17.18 |
| AT+CFUN | General | 4.12 |
| AT+CGMI | General | 4.1 |
| AT+CGACT | GPRS | 17.5 |
| AT+CGADDR | GPRS | 17.15 |
| AT+CGANS | GPRS | 17.14 |
| AT+CGATT | GPRS | 17.4 |
| AT+CGAUTO | GPRS | 17.13 |
| AT+CGCLASS | GPRS | 17.7 |
| AT+CGDATA | GPRS | 17.6 |
| AT+CGDCONT | GPRS | 17.1 |
| AT+CGMM | General | 4.2 |
| AT+CGMR | General | 4.3 |
| AT+CGSN | General | 4.4 |
| AT+CGQMIN | GPRS | 17.3 |
| AT+CGQREQ | GPRS | 17.2 |
| AT+CGREG | GPRS | 17.10 |
| AT+CGREP | GPRS | 17.9 |
| AT+CGSMS | GPRS | 17.8 |
| AT+CHLD | Supplementary services | 10.12 |
| AT+CICB | Call Control | 5.10 |
| AT+CIMI | General | 4.7 |
| AT+CIND | Specific | 15.6 |
| AT+CKPD | General | 4.15 |
| AT+CLCC | Supplementary services | 10.13 |
| AT+CLCK | Security, Supplementary services | 7.4, 10.2 |
| AT+CLIP | Supplementary services | 10.6 |
| AT+CLIR | Supplementary services | 10.5 |
| AT+CMEC | Specific | 15.7 |
| AT+CMEE | General | 4.14 |
| AT+CMER | Specific | 15.5 |
| AT+CMGD | Short Messages | 9.16 |
| AT+CMGF | Short Messages | 9.5 |
| AT+CMGL | Short Messages | 9.11 |
| AT+CMGR | Short Messages | 9.10 |
| AT+CMGS | Short Messages | 9.12 |
| AT+CMGW | Short Messages | 9.13 |
| AT+CMSS | Short Messages | 9.14 |
| AT+CMUT | Call Control | 5.13 |
| AT+CNMA | Short Messages | 9.3 |
| AT+CNMI | Short Messages | 9.9 |

| AT commands | Type of Command | Paragraph Nb |
|-------------|------------------------------------|---------------|
| AT+CNUM | Phonebook | 8.7 |
| AT+COLP | Supplementary services | 10.7 |
| AT+COPN | Network services | 6.7 |
| AT+COPS | Network services | 6.2 |
| AT+CPAS | General | 4.13 |
| AT+CPBF | Phonebook | 8.3 |
| AT+CPBN | Phonebook | 8.6 |
| AT+CPBP | Phonebook | 8.5 |
| AT+CPBR | Phonebook | 8.2 |
| AT+CPBS | Phonebook | 8.1 |
| AT+CPBW | Phonebook | 8.4 |
| AT+CPHS | Specific | 15.30 |
| AT+CPIN | Security | 7.1 |
| AT+CPIN2 | Security | 7.2 |
| AT+CPINC | Security | 7.3 |
| AT+CPLS | Network services | 6.5 |
| AT+CPMS | Short Messages | 9.4 |
| AT+CPOF | General | 4.11 |
| AT+CPOL | Network services | 6.6 |
| AT+CPUC | Supplementary services | 10.11 |
| AT+CPWD | Security Supplementary services | 7.5 10.3 |
| AT+CR | Data GPRS | 11.4 17.17 |
| AT+CRC | Data GPRS | 11.5 17.16 |
| AT+CREG | Network services | 6.3 |
| AT+CRES | Short Messages | 9.7 |
| AT+CRLP | Data | 11.7 |
| AT+CRMP | General | 4.18 |
| AT+CRSL | General | 4.19 |
| AT+CSAS | Short Messages | 9.6 |
| AT+CSCA | Short Messages | 9.17 |
| AT+CSCB | Short Messages | 9.18 |
| AT+CSCS | General | 4.5 |
| AT+CSDH | Short Messages | 9.8 |
| AT+CSMP | Short Messages | 9.15 |
| AT+CSMS | Short Messages | 9.2 |
| AT+CSNS | Call Control | 5.11 |
| AT+CSQ | Network services | 6.1 |
| AT+CSSN | Supplementary services | 10.14 |
| AT+CSVM | Phonebook | 8.10 |
| AT+CUSD | Supplementary services | 10.15 |
| AT+DOPT | Data | 11.8 |
| AT+DR | Data | 11.11 |

| AT commands | Type of Command | Paragraph Nb |
|-------------|-----------------|------------------------|
| AT+DS | Data | 11.10 |
| AT+ECHO | Call Control | 5.15 |
| AT+FBOR | Class 2 | 13.6 |
| AT+FBUF | Class 2 | 13.7 |
| AT+FCLASS | Data | 11.3 |
| AT+FCQ | Class 2 | 13.8 |
| AT+FCR | Class 2 | 13.9 |
| AT+FDCC | Class 2 | 13.11 |
| AT+FDR | Class 2 | 13.2 |
| AT+FDT | Class 2 | 13.1 |
| AT+FK | Class 2 | 13.5 |
| AT+FLID | Class 2 | 13.12 |
| AT+FPHCTO | Class 2 | 13.13 |
| AT+FRH | Fax | 12.4 |
| AT+FRM | Fax | 12.2 |
| AT+FRS | Fax | 12.6 |
| AT+FTH | Fax | 12.3 |
| AT+FTM | Fax | 12.1 |
| AT+FTS | Fax | 12.5 |
| AT+GCAP | General | 4.9 |
| AT+ICF | V24-V25 | 14.2 |
| AT+IFC | V24-V25 | 14.3 |
| AT+ILRR | Data | 11.6 |
| AT+IPR | V24-V25 | 14.1 |
| AT+SIDET | Call Control | 5.16 |
| AT+SPEAKER | Call Control | 5.14 |
| AT+STGI | SIM Toolkit | 16.3.3 |
| AT+STGR | SIM Toolkit | 16.3.5 |
| AT+STIN | SIM Toolkit | 16.3.2 |
| AT+STSF | SIM Toolkit | 16.3.1 |
| AT+VGR | Call Control | 5.12 |
| AT+VGT | Call Control | 5.12 |
| AT+VIP | Call Control | 5.17 |
| AT+VTD | Call Control | 5.6 |
| AT+VTS | Call Control | 5.6 |
| AT+W32K | Specific | 15.25 |
| AT+WAC | Specific | 15.13 |
| AT+WAIP | Phonebook | 8.8 |
| AT+WALS | Specific | 15.43 |
| AT+WATH | Specific | 15.51 |
| AT+WBCM | Specific | 15.36 |
| AT+WBM | Specific | 15.50 |
| AT+WBR | Specific | 15.48 |

| AT commands | Type of Command | Paragraph Nb |
|-------------|------------------|-----------------------|
| AT+WBW | Specific | 15.49 |
| AT+WCBM | Short Messages | 9.19 |
| AT+WCCS | Specific | 15.28 |
| AT+WCDM | Specific | 15.26 |
| AT+WCDP | Specific | 15.41 |
| AT+WCFM | Specific | 15.39 |
| AT+WDCP | Phonebook | 8.9 |
| AT+WDOP | Specific | 15.20 |
| AT+WDR | Specific | 15.18 |
| AT+WDTMF | Specific | 15.15 |
| AT+WDWL | Specific | 15.16 |
| AT+WFM | Specific | 15.38 |
| AT+WGPRS | GPRS | 17.19 |
| AT+WHWV | Specific | 15.19 |
| AT+WIMEI | Specific | 15.52 |
| AT+WIND | Specific | 15.3 |
| AT+WIOM | Specific | 15.12 |
| AT+WIOR | Specific | 15.10 |
| AT+WIOW | Specific | 15.11 |
| AT+WLCK | Specific | 15.29 |
| AT+WLOC | Specific | 15.47 |
| AT+WLPR | Specific | 15.8 |
| AT+WLPW | Specific | 15.9 |
| AT+WMBN | Specific | 15.42 |
| AT+WMBN | Specific | 15.54 |
| AT+WMGO | Short Messages | 9.21 |
| AT+WMIR | Specific | 15.40 |
| AT+WMSC | Short Messages | 9.20 |
| AT+WMUX | V24-V25 | 14.17 |
| AT+WOPEN | Specific | 15.44 |
| AT+WOPN | Network services | 6.4 |
| AT+WPCS | General | 4.6 |
| AT+WRIM | Specific | 15.24 |
| AT+WRST | Specific | 15.45 |
| AT+WSCAN | Specific | 15.23 |
| AT+WSST | Specific | 15.46 |
| AT+WSSW | Specific | 15.27 |
| AT+WSTR | Specific | 15.22 |
| AT+WSVG | Specific | 15.21 |
| AT+WSVN | Specific | 15.53 |
| AT+WTONE | Specific | 15.14 |
| AT+WUSS | Short Messages | 9.22 |
| AT+WVR | Specific | 15.17 |

| AT commands | Type of Command | Paragraph Nb |
|-------------|-----------------|-----------------------|
| ATA | Call Control | 5.3 |
| ATD | Call Control | 5.1 |
| ATDL | Call Control | 5.7 |
| ATE | V24-V25 | 14.13 |
| ATH | Call Control | 5.2 |
| ATI | V24-V25 | 14.16 |
| ATO | V24-V25 | 14.7 |
| ATQ | V24-V25 | 14.8 |
| ATS0 | Call Control | 5.9 |
| ATV | V24-V25 | 14.9 |
| ATZ | V24-V25 | 14.10 |
| D | GPRS | 17.11 |



WAVECOM S.A. - 12, boulevard Garibaldi - 92442 Issy-les-Moulineaux Cedex - France - Tel: +33 (0)1 46 29 08 00 - Fax: +33 (0)1 46 29 08 08
WAVECOM Inc. - 610 West Ash Street, Suite 1400 - San Diego, CA 92101 - USA - Tel: +1 619 235 9702 - Fax: +1 619 235 9844
WAVECOM Asia Pacific Ltd. - 5/F, Shui On Centre - 6/8 Harbour Road - Hong Kong, PRC - Tel: +852 2824 0254 - Fax: +852 2824 0255

www.wavecom.com